

Product No. **4098-400-10**
 S No.
 EAN No. **7312904098100**



Classic Globe

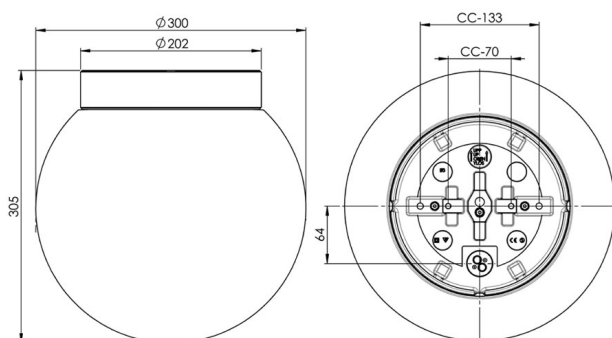
The Classic series is an old favourite of our assortment. Ideal in most areas where functionality and timeless design are the key words. Classic is available in different combinations and are also available with a grey or a brown glazed base as option.

Specification

Base material	Porcelain
Lampholder	GX24 q2
Light source	2 x max 18W T/E (not incl.)
Voltage	230V
Installation	Ceiling/wall
Base colour	White NCS S 1502-G50Y
Safety class	I
Protection class	IP44
Energy class	-
T _a	-30 - +25
Height	305 mm
Diameter Ø	300 mm
Glass	Matt opal
Thread	185,5 mm
Weight	3,2 kg
Design	Håkan Svennesson SD

Installation

Insert the mains supply cable through the bottom inlet. Fix the light fitting to the wall or to the ceiling with suitable screws, make sure the arrow and text UP on the bottom of the base points upwards when installing on a wall. Connect the leads to the mantle screws. Fasten the lamp holder. Insert a light source and fasten the shade by turning it clockwise. Make sure the gasket between the glass and base is in place.



Technical information

Silicone gasket between glass and base. Four Ø 5mm hole for installation. CC measurements 133 mm or 70 mm. One bottom inlet for two mains supply cable. Connection to terminal of max 2 x 1,5 mm². Bridging is possible. Bottom inlet, two knock out openings.

Maintenance

Switch off the power to the fixture. Remove the shade and clean it. Do not use cleaning agents containing solvents. Change the light source if necessary. Check the gasket and change it if necessary. Replace the shade.

Spare parts

Shade: Part no 1-6140-1
 Gasket: Part no 3431

If the luminaire is modified the person responsible for the modification shall be considered manufacturer. Subject to errors in text. We reserve the right to change the technical specifications (without notice).

