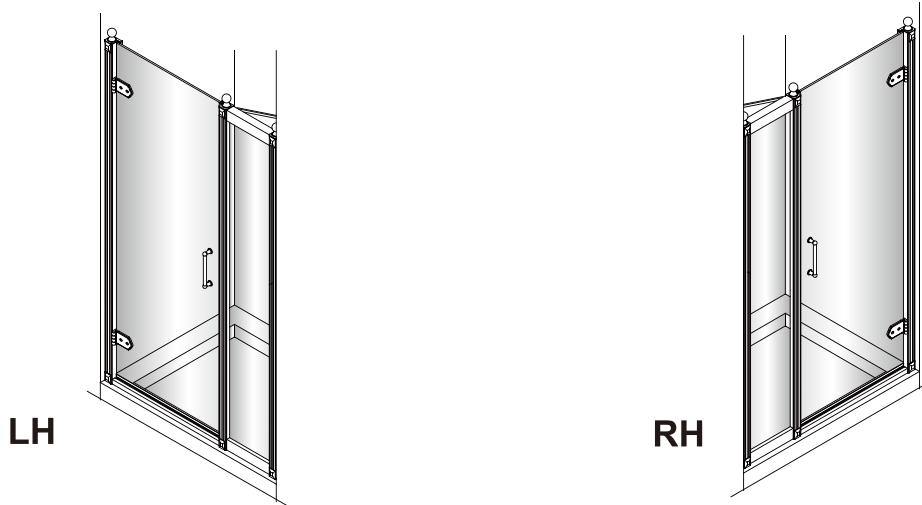


- PLEASE REFER TO THE INDIVIDUAL DOOR AND SIDE PANEL INSTRUCTIONS FOR CORRECT INSTALLATION WITH THIS INLINE PANEL.
- Check the contents of the pack carefully before installation.
- The tray **MUST** be installed level and fully sealed to the tiles.
- Handle with care. Impacts can damage both the glass and the frame.
- Check for any hidden pipes or cables before drilling holes in the wall.
- The enclosure is reversible: " door can be either left or right opening. "
 In the remainder of this manual the illustrations will only show the right hand installation.
 The parts marked "LH" or "RH" would be only suitable for the relative shower enclosure.
- The wall fixings supplied may not be suitable for your installation. You may need to source alternatives depending on the construction of the wall you are fixing to.

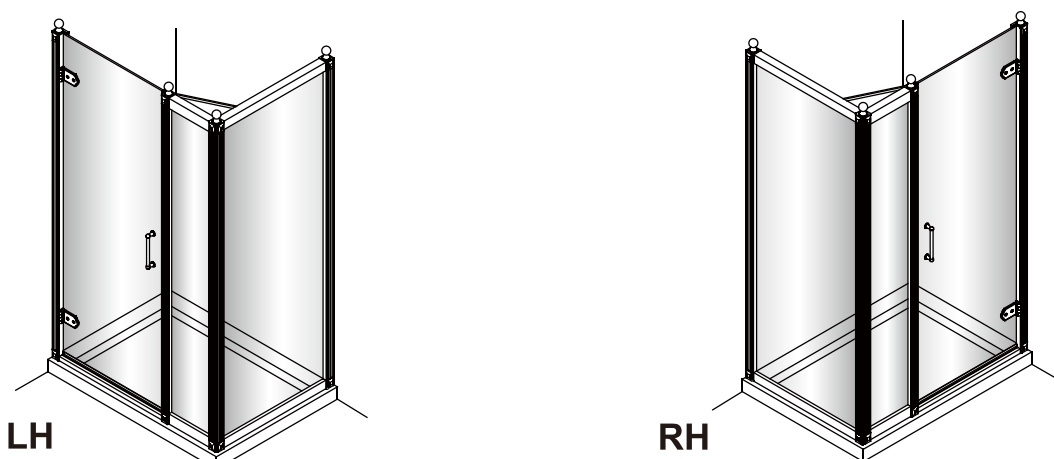
Care and Cleaning:

- Do not use solvents or abrasive material or chemicals to clean the enclosure.
- Only clean using soapy water and a soft cloth, rinse thoroughly afterwards.

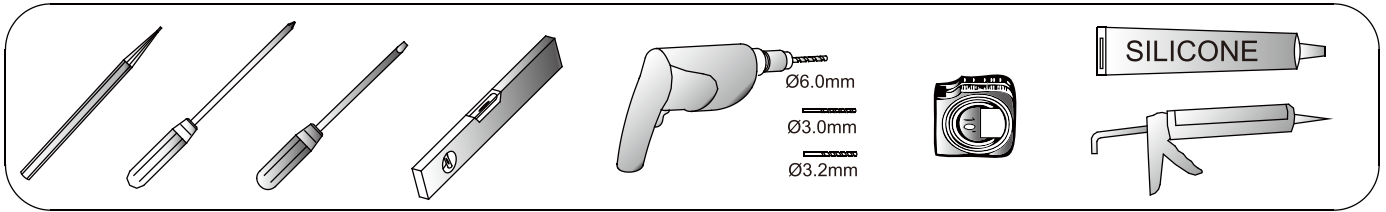
Hinged Door and Inline Panel (Pages 5 - 10)



Hinged Door and Inline Panel with Side Panel (Pages 11 - 17)

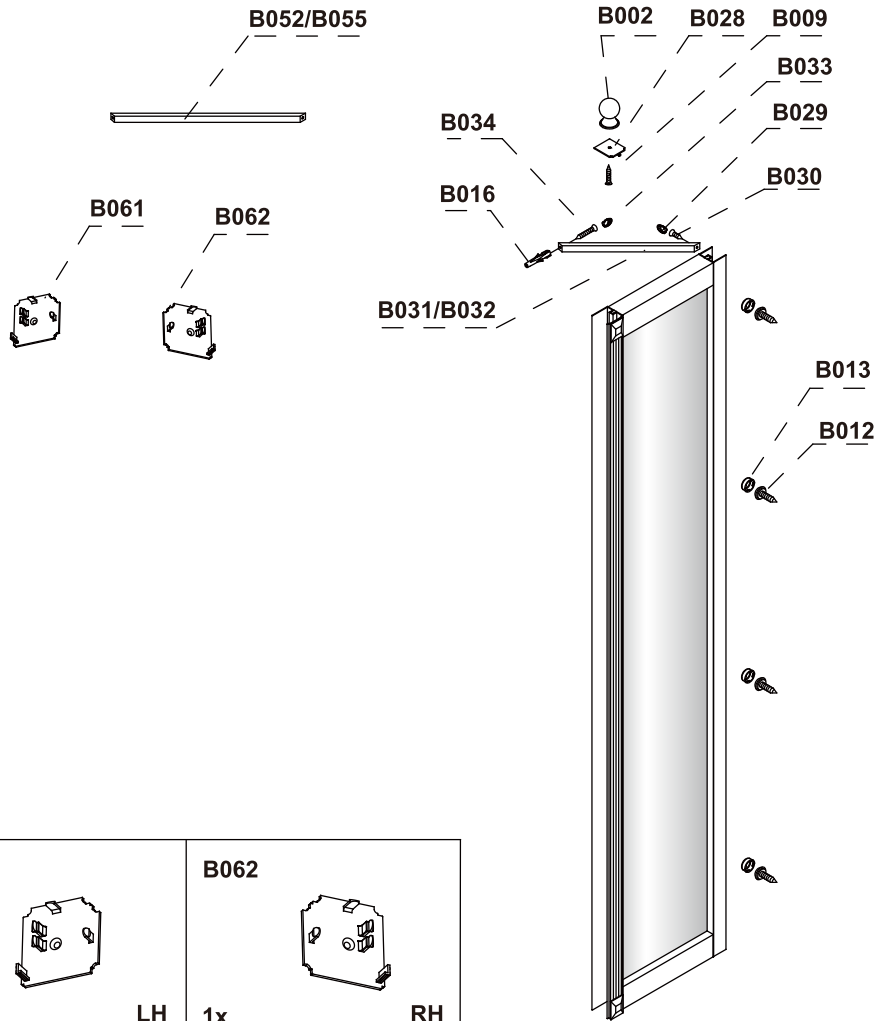


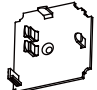
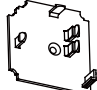











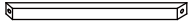

Tools required:



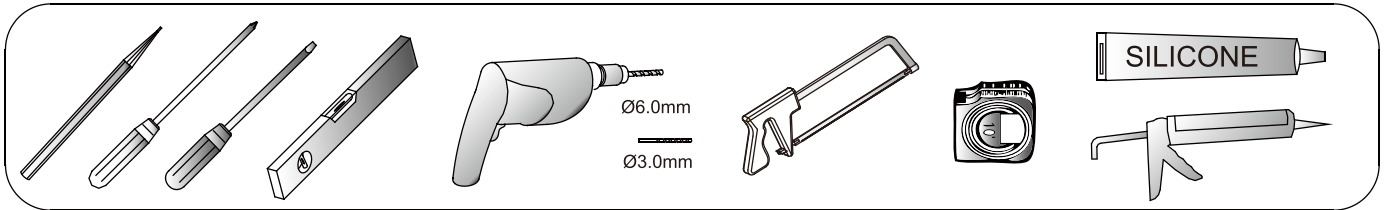
Parts supplied:

Inline Panel Box - C15/C16/C17



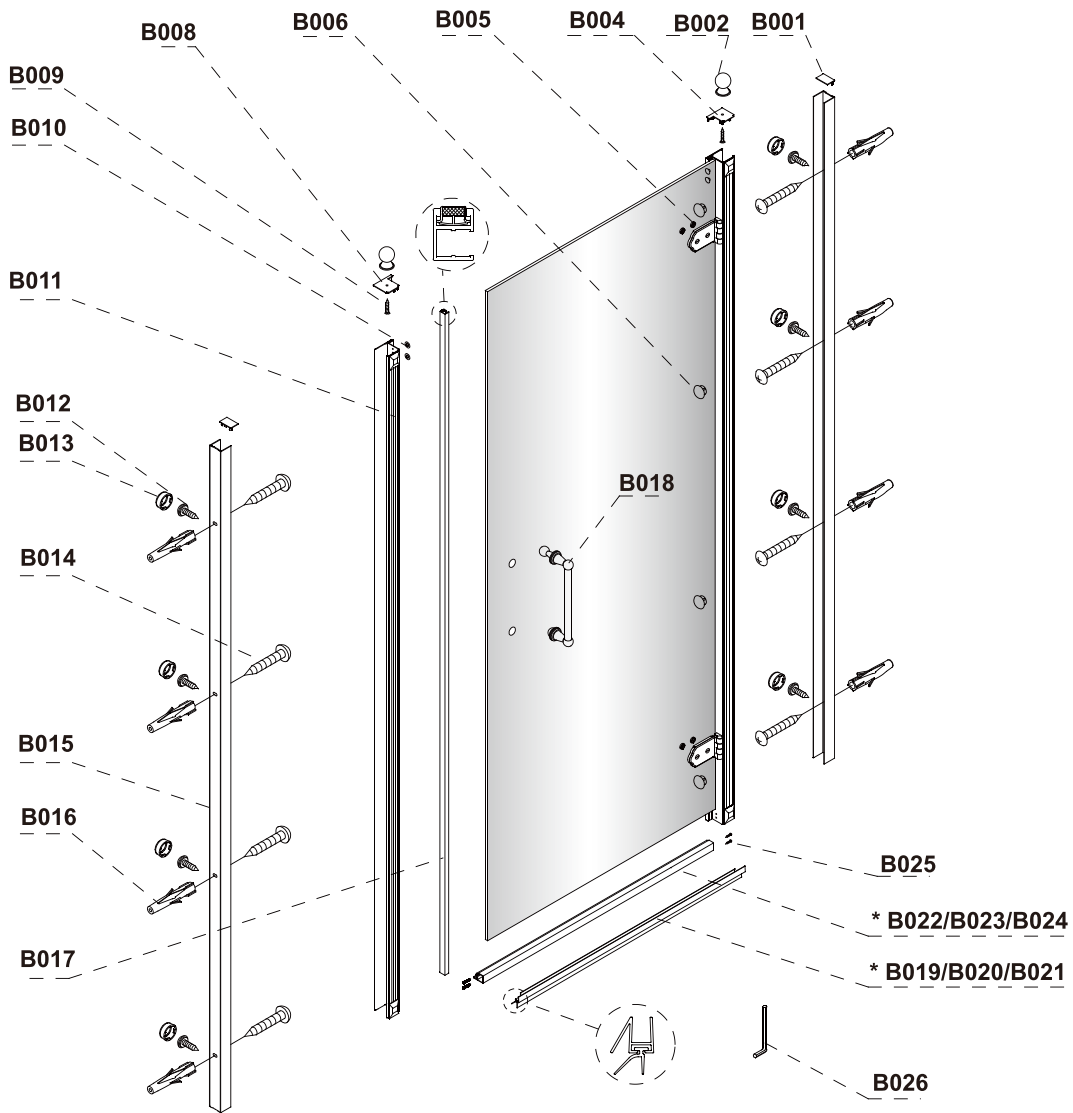
<p>B061</p>  <p>1x LH</p>	<p>B062</p>  <p>1x RH</p>			
<p>B002</p>  <p>1x</p>	<p>B027</p>  <p>1x</p>	<p>B028</p>  <p>1x</p>	<p>B009</p>  <p>1x</p> <p>ST3.5*16mm</p>	<p>B034</p>  <p>1x</p> <p>ST4*35mm</p>
<p>B033</p>  <p>1x</p>	<p>B030</p>  <p>1x</p> <p>ST4*25mm</p>	<p>B029</p>  <p>1x</p>	<p>B016</p>  <p>1x</p>	<p>B012</p>  <p>4x</p> <p>ST3.5*10mm</p>
<p>B013</p>  <p>4x</p>	<p>B031/B032</p>  <p>1x</p> <p>- B031 is for 200 Inline panel - B032 is for 300, 400 Inline panel</p>	<p>B052/B055</p>  <p>1x</p> <p>- B052 is for 200 Inline panel - B055 is for 300, 400 Inline panel</p>		












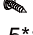





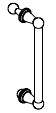
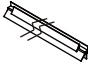
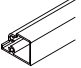
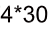

Tools required:



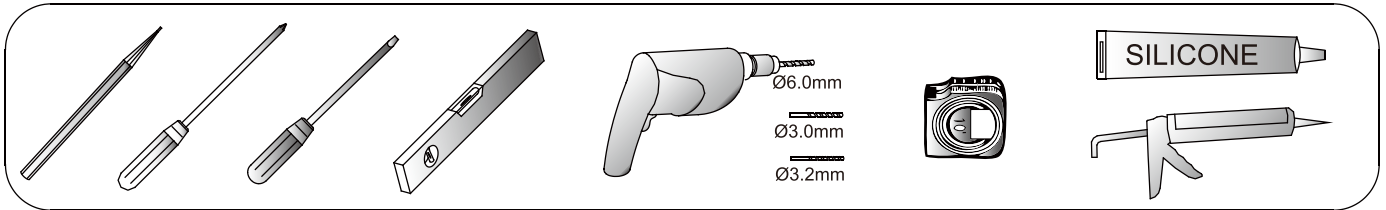
Parts supplied:

Hinged Door Box - C19/C20/C21



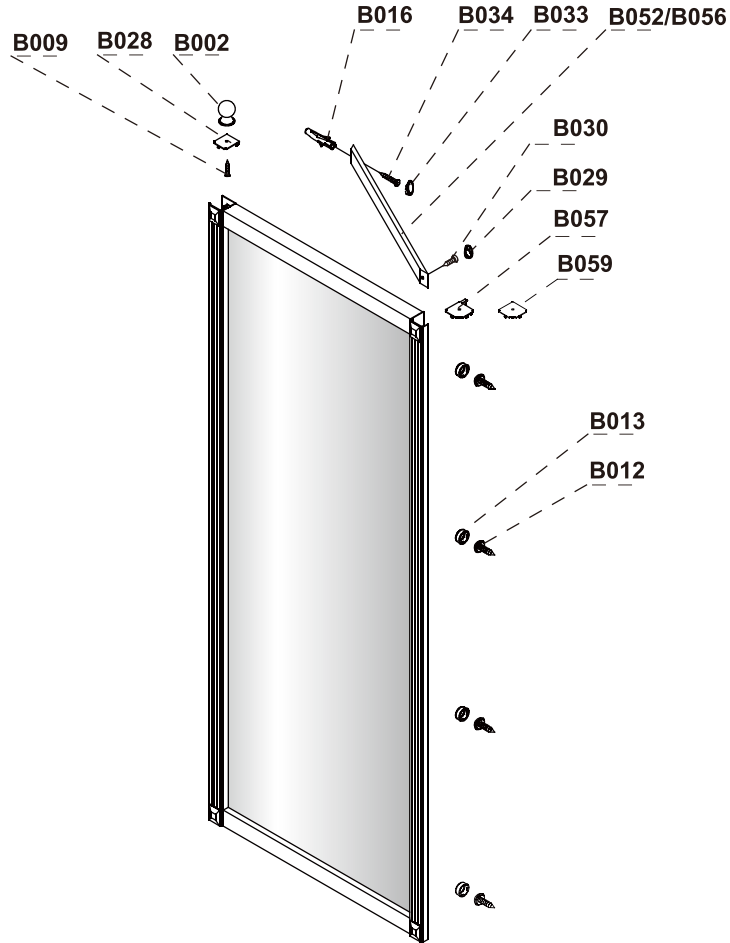
B001  2x	B002  2x	B003  1x LH	B004  1x RH	B005  4x	B006  4x
B007  1x LH	B008  1x RH	B009  2x ST3.5*16mm	B010  4x	B011  1x	B012  8x ST3.5*10mm
B013  8x	B014  8x ST4*50mm	B015  2x	B016  8x	B017  1x	B018  1x
* B019/B020/B021  1x - B019 is for 760 Hinged door - B020 is for 800 Hinged door - B021 is for 900 Hinged door	* B022/B023/B024  1x - B022 is for 760 Hinged door - B023 is for 800 Hinged door - B024 is for 900 Hinged door		B025  4x ST4*30mm	B026  1x 4mm	

Tools required:



Parts supplied:

Side Panel Box - C11/C12/C13/C14



B002 1x	B027 1x	B028 1x	B009 1x ST3.5*16mm	B034 1x ST4*35mm
B033 1x	B030 1x ST4*25mm	B029 1x	B016 1x	B012 4x ST3.5*10mm
B013 4x	B057 1x RH	B058 1x LH	B059 1x RH	B060 1x LH
B052/B056 1x - B052 is for 700, 760, 800 side panel - B056 is for 900 side panel				

Hinged Door and Inline Panel (Pages 5 - 10)

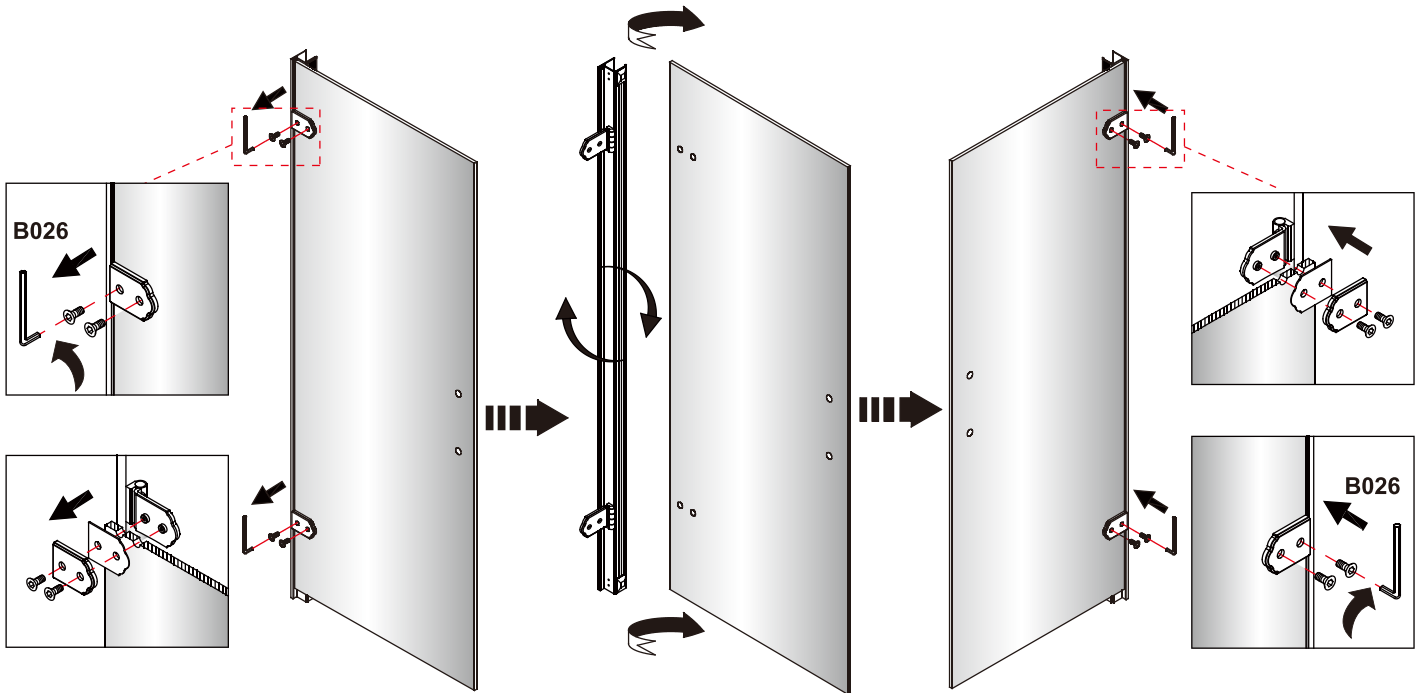


The hinged door is supplied for Right Handed installation. For Left Handed installation please loosen the hinges and reverse the glass as shown below.

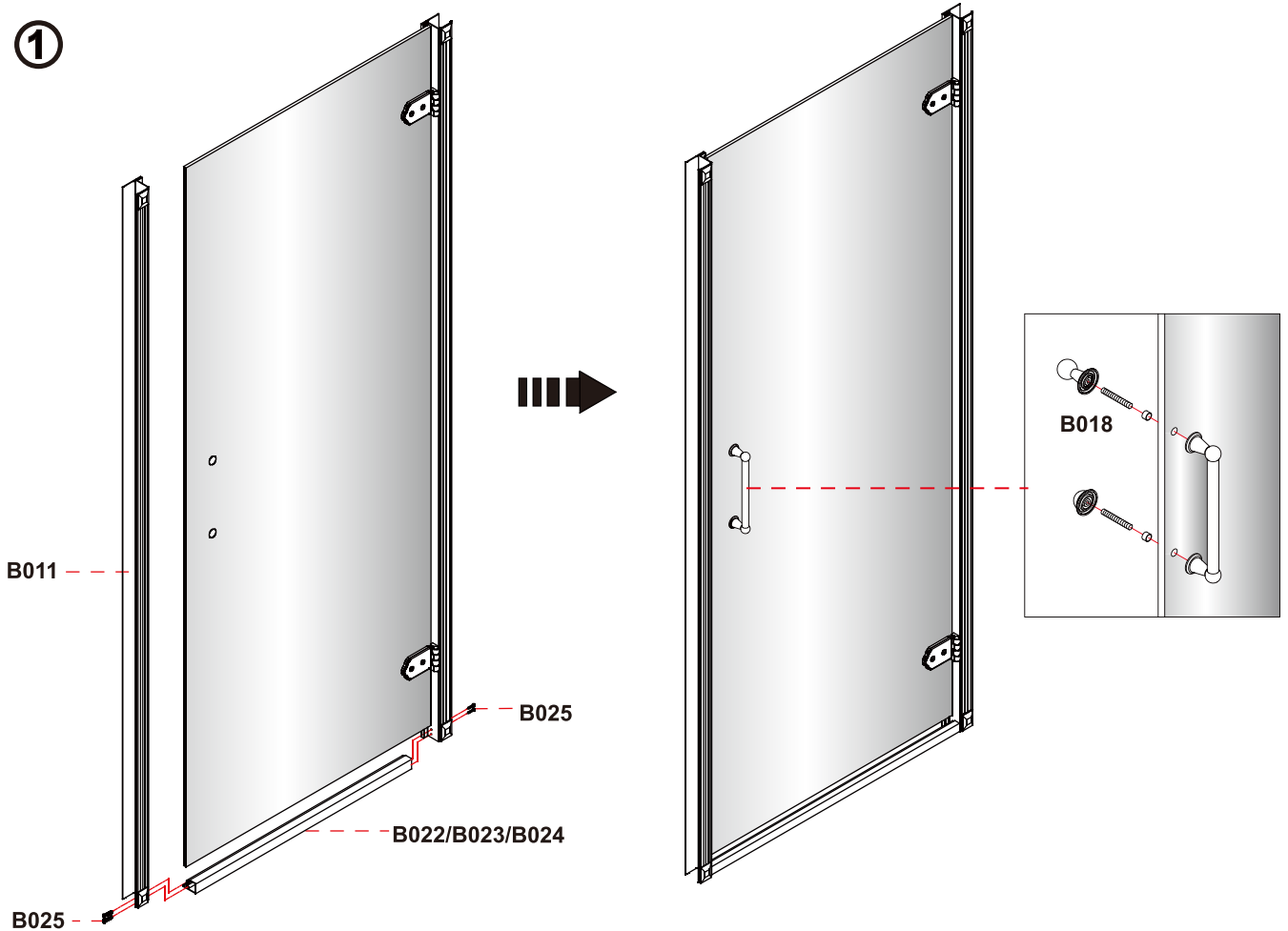
Right Hand



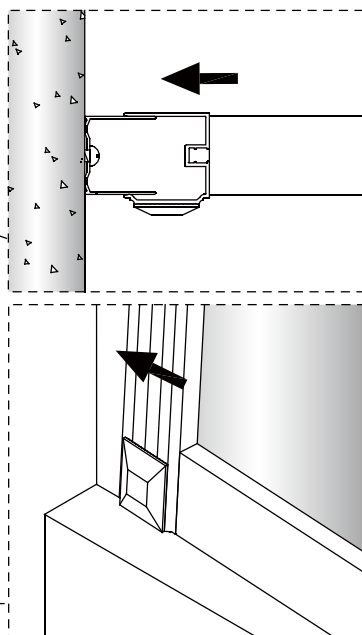
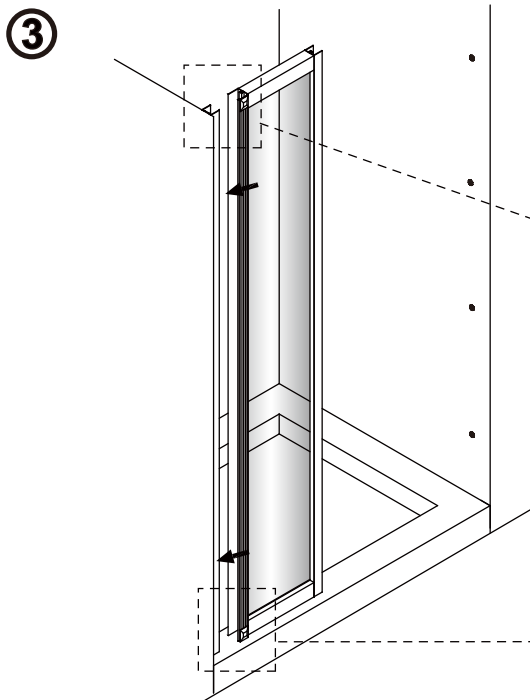
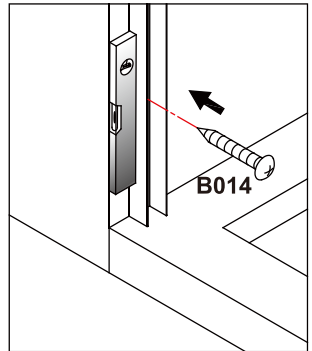
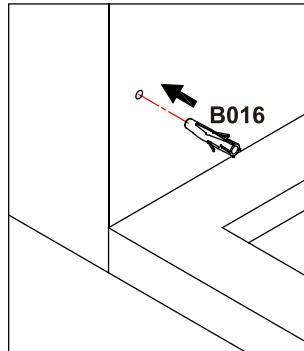
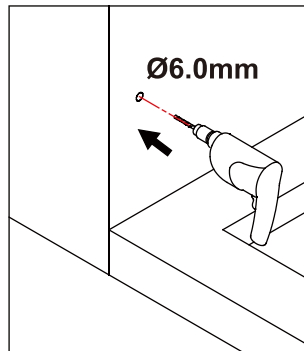
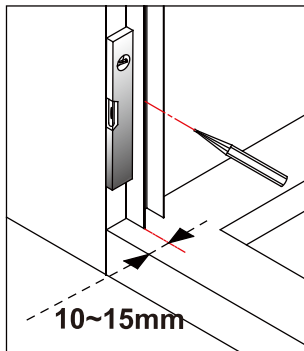
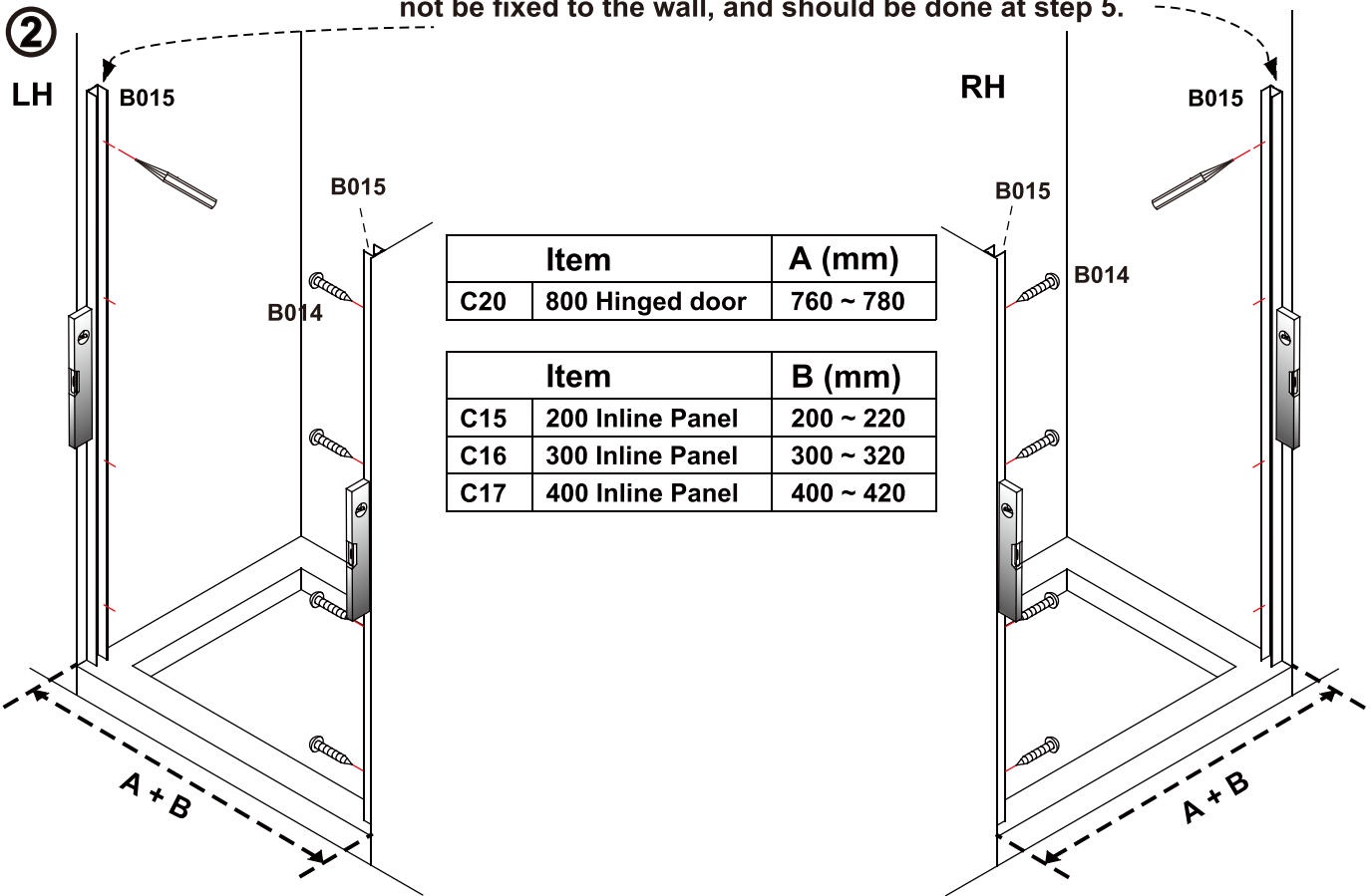
Left Hand



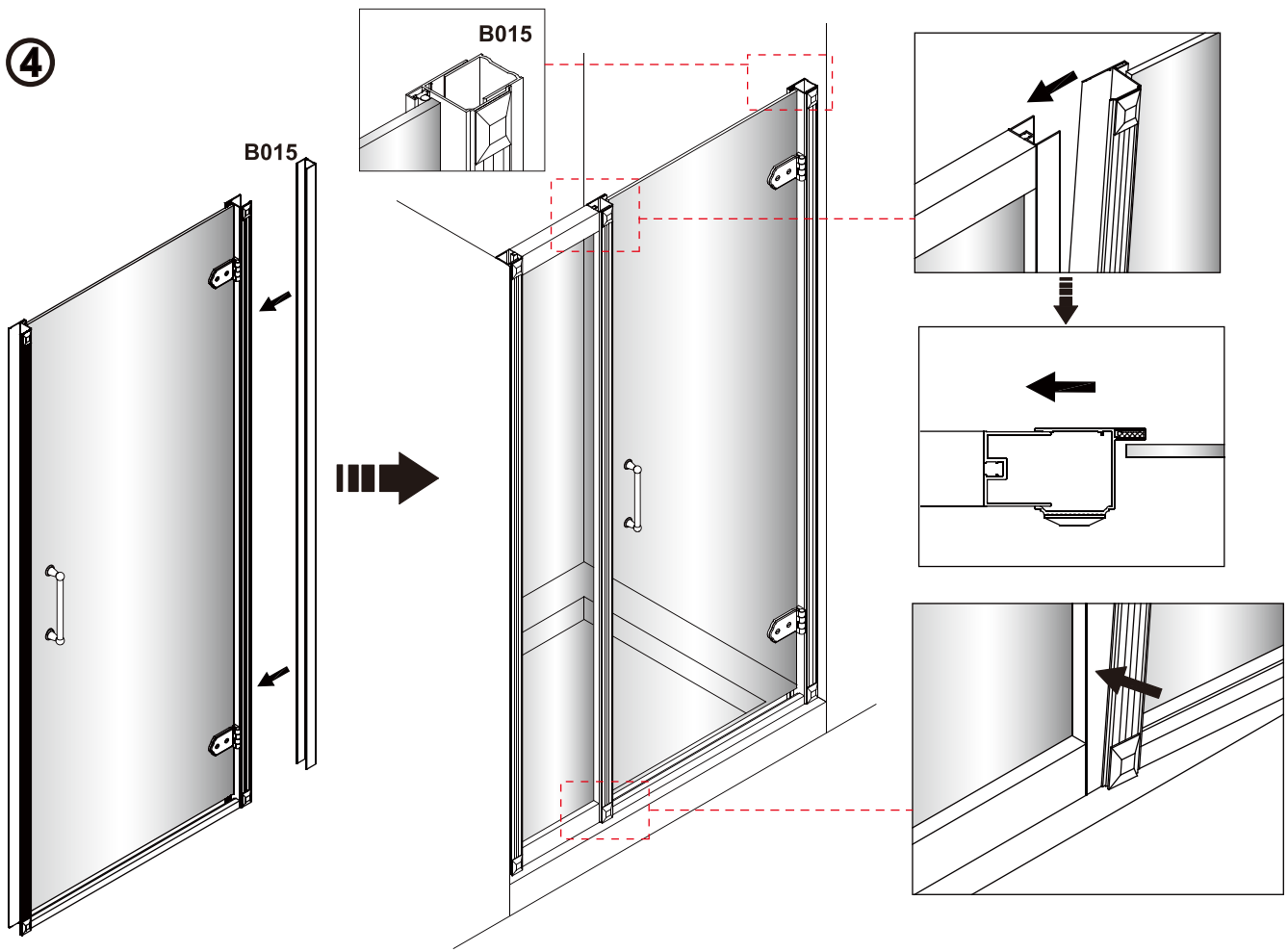
1



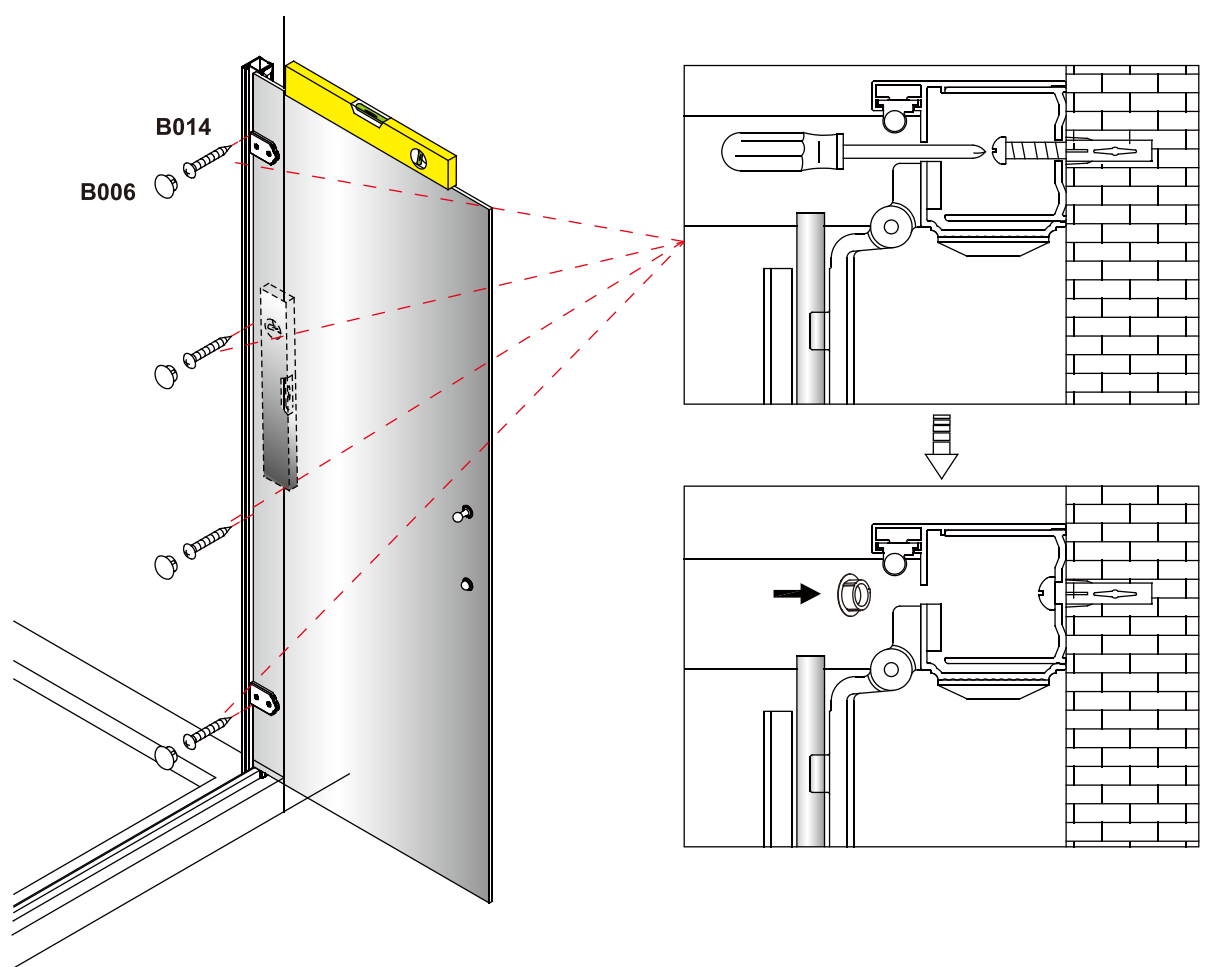
At this step the wall profile on the hinged side should not be fixed to the wall, and should be done at step 5.



④

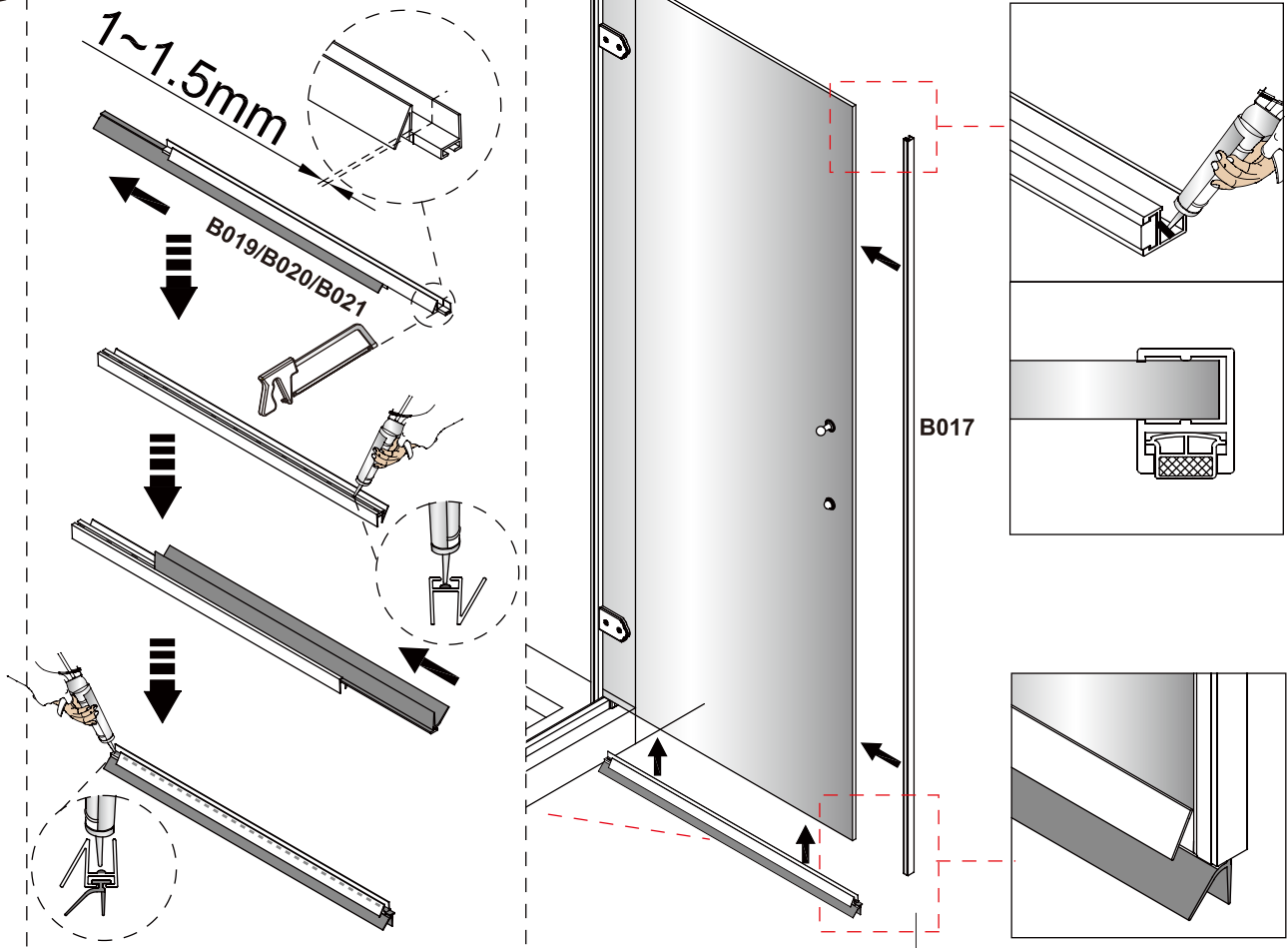


⑤



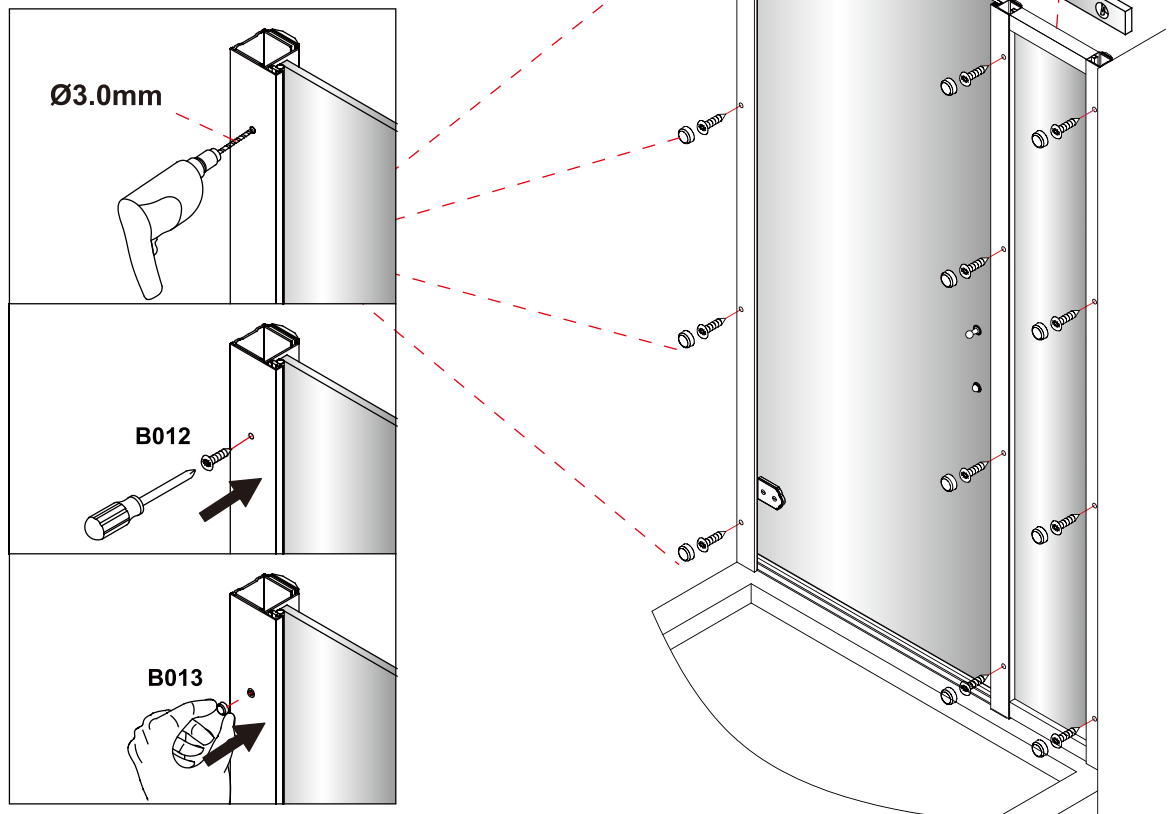
* Please note when cutting parts B019/B20/B21 a sharp fine tooth hacksaw should be used.

⑥



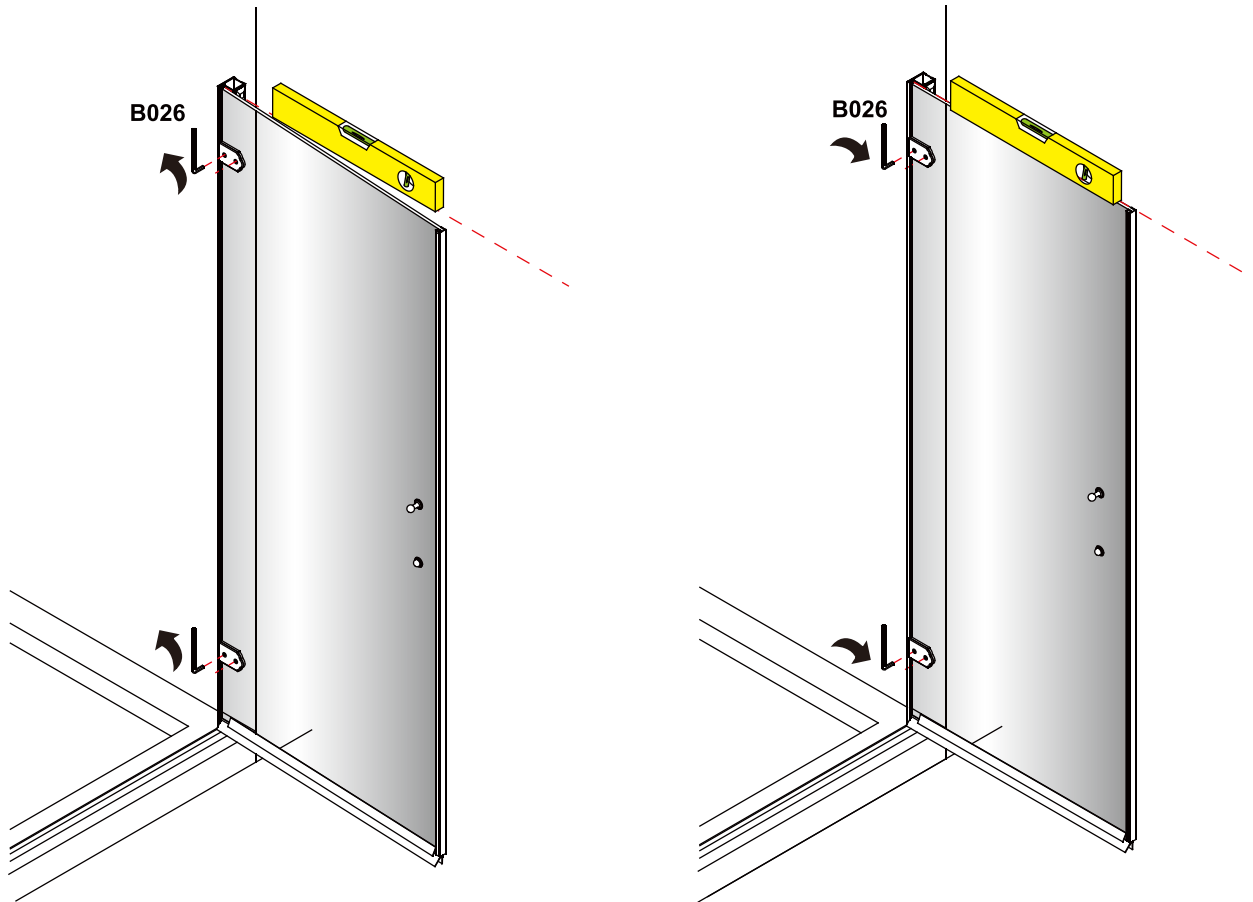
⑦

Once you have checked that the door opens and closes correctly, fix the door frame to the wall channels. From inside drill 4 holes through door frame (in the marked positions). Fix using screws (B012), attach on the covers (B013).

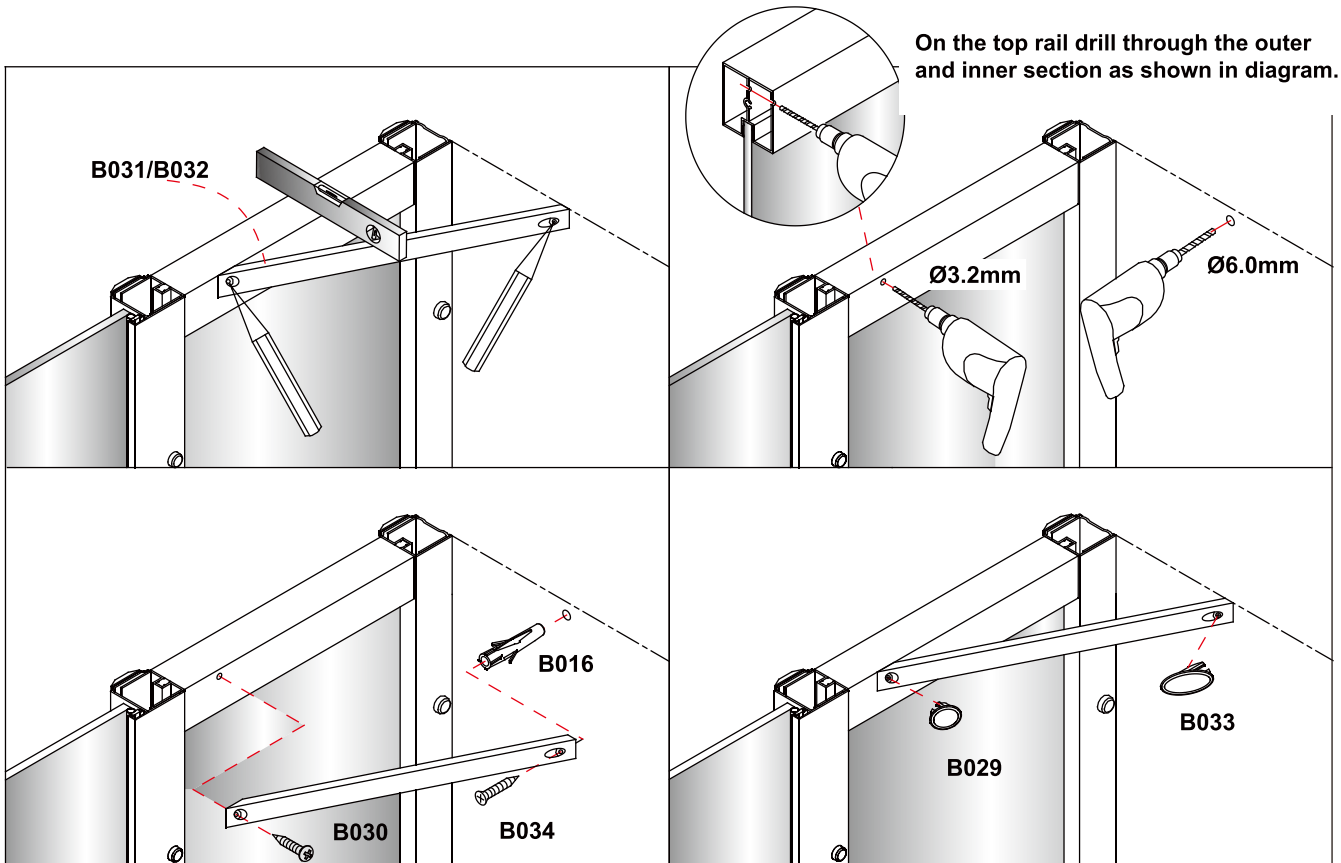




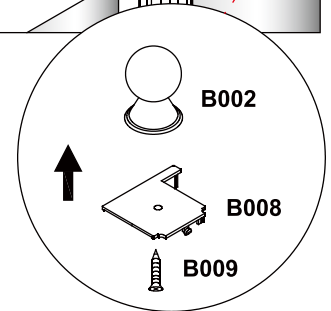
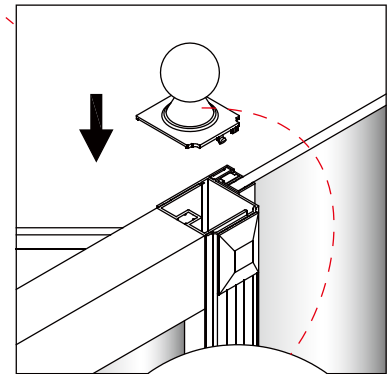
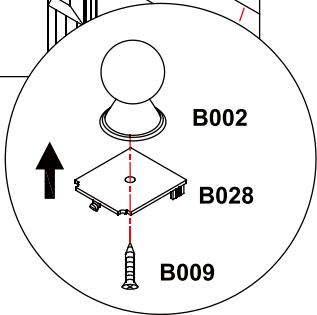
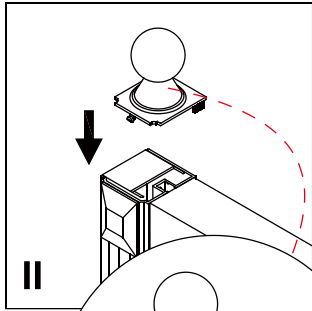
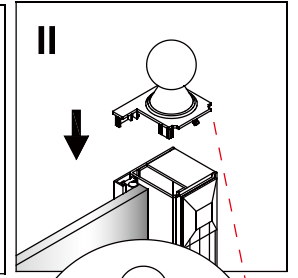
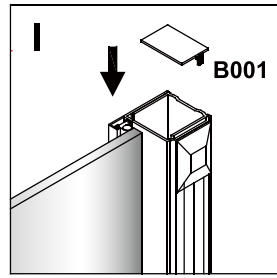
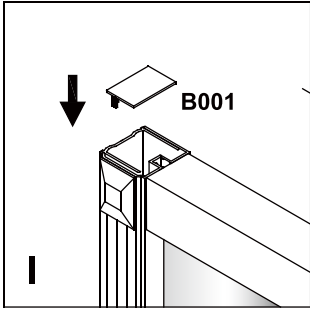
Only if adjustment is required.



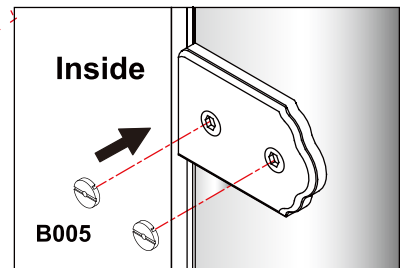
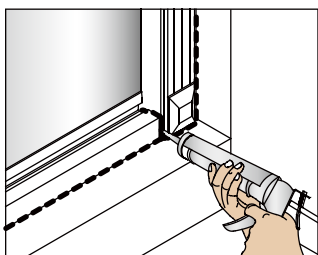
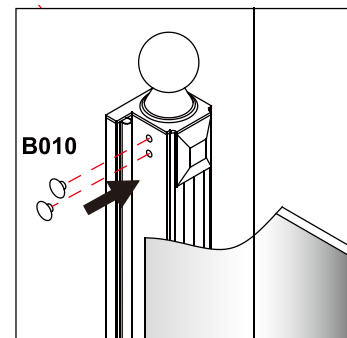
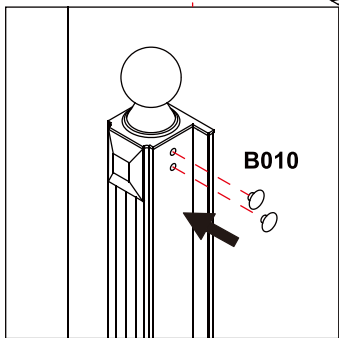
8



9



10



Hinged Door and Inline Panel Installation Complete

Hinged Door and Inline Panel with Side Panel (Pages 11 - 17)

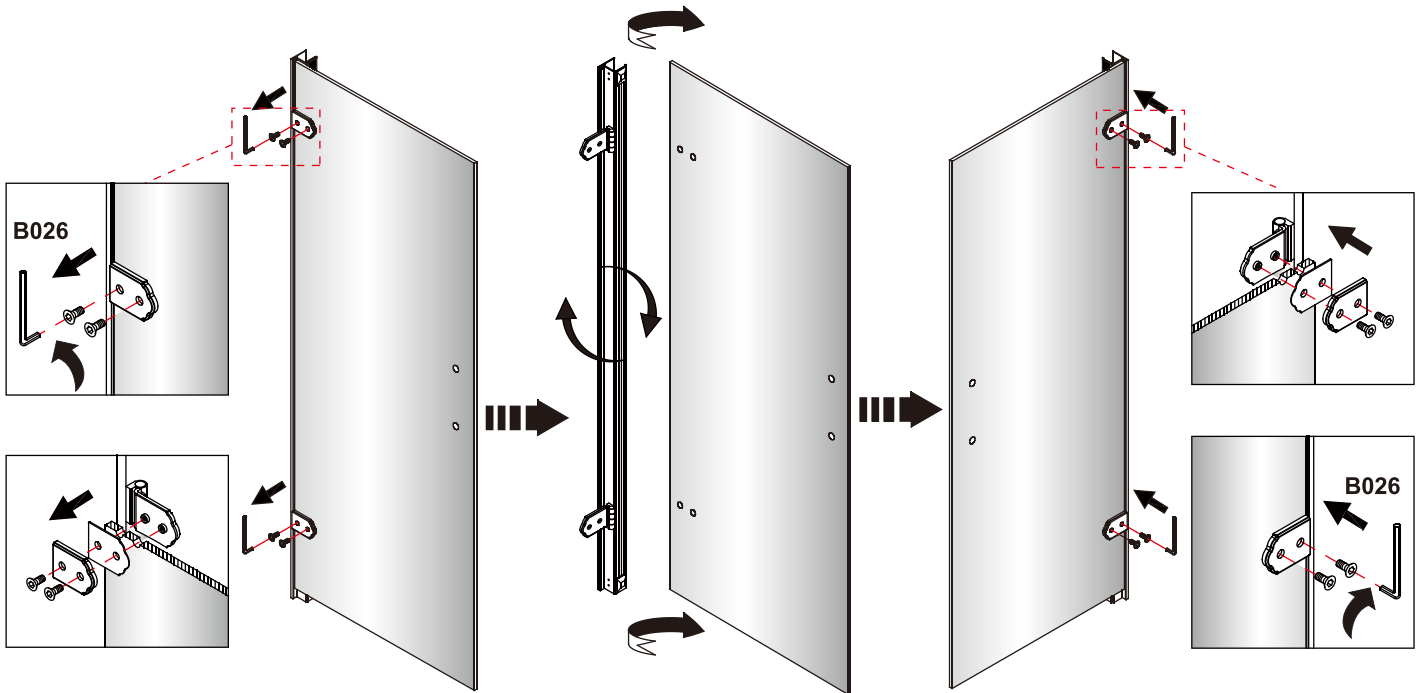


The hinged door is supplied for Right Handed installation. For Left Handed installation please loosen the hinges and reverse the glass as shown below.

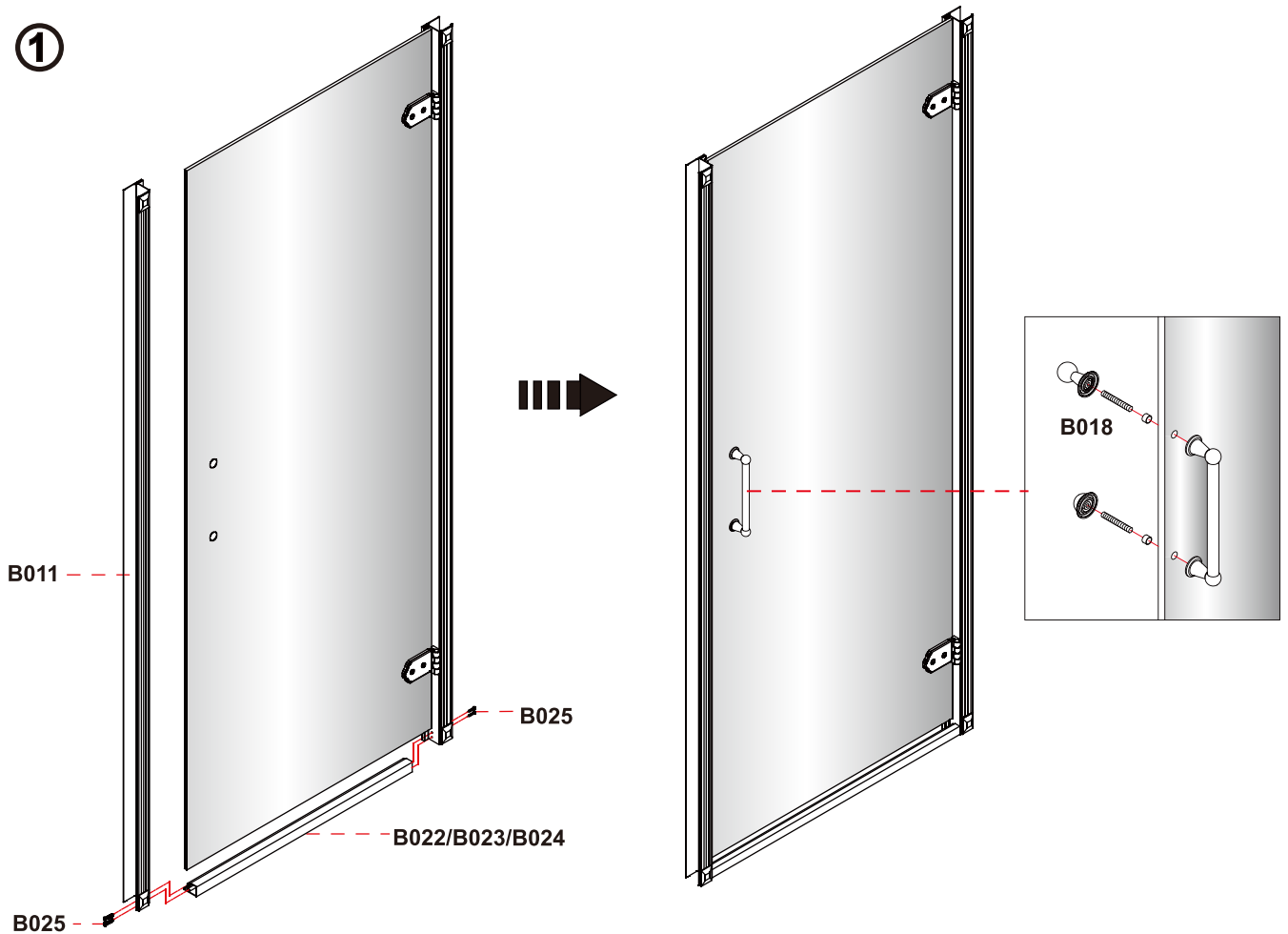
Right Hand



Left Hand

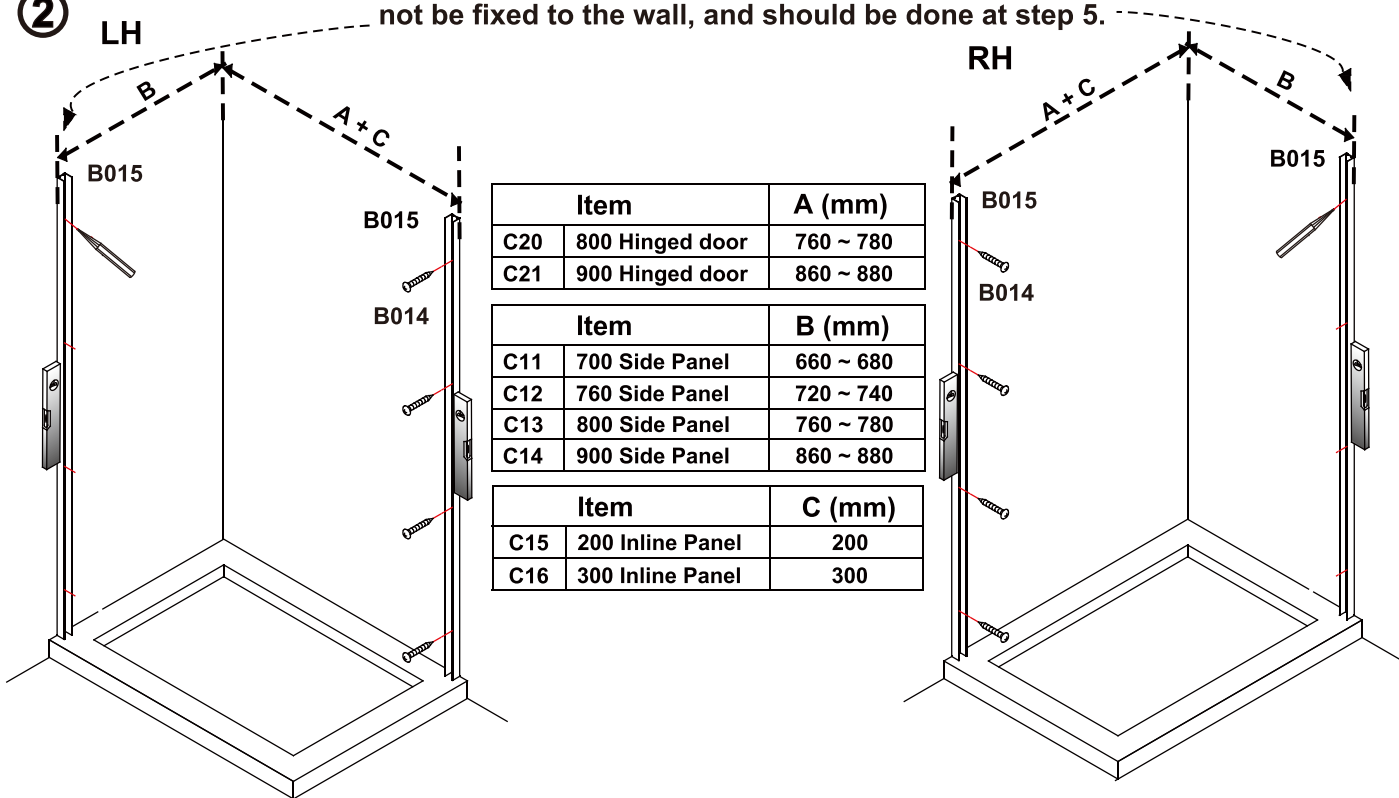


1



②

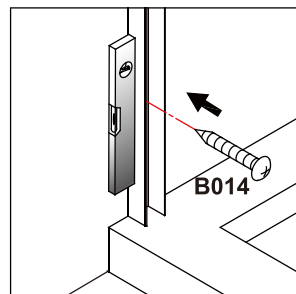
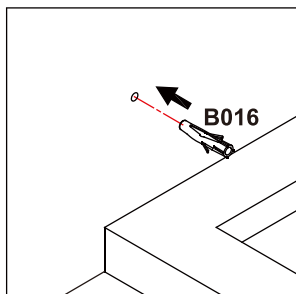
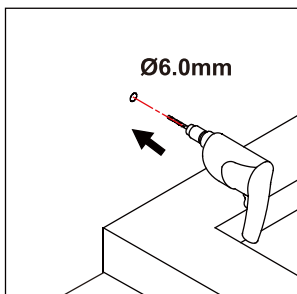
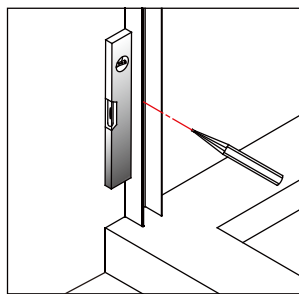
At this step the wall profile on the hinged side should not be fixed to the wall, and should be done at step 5.



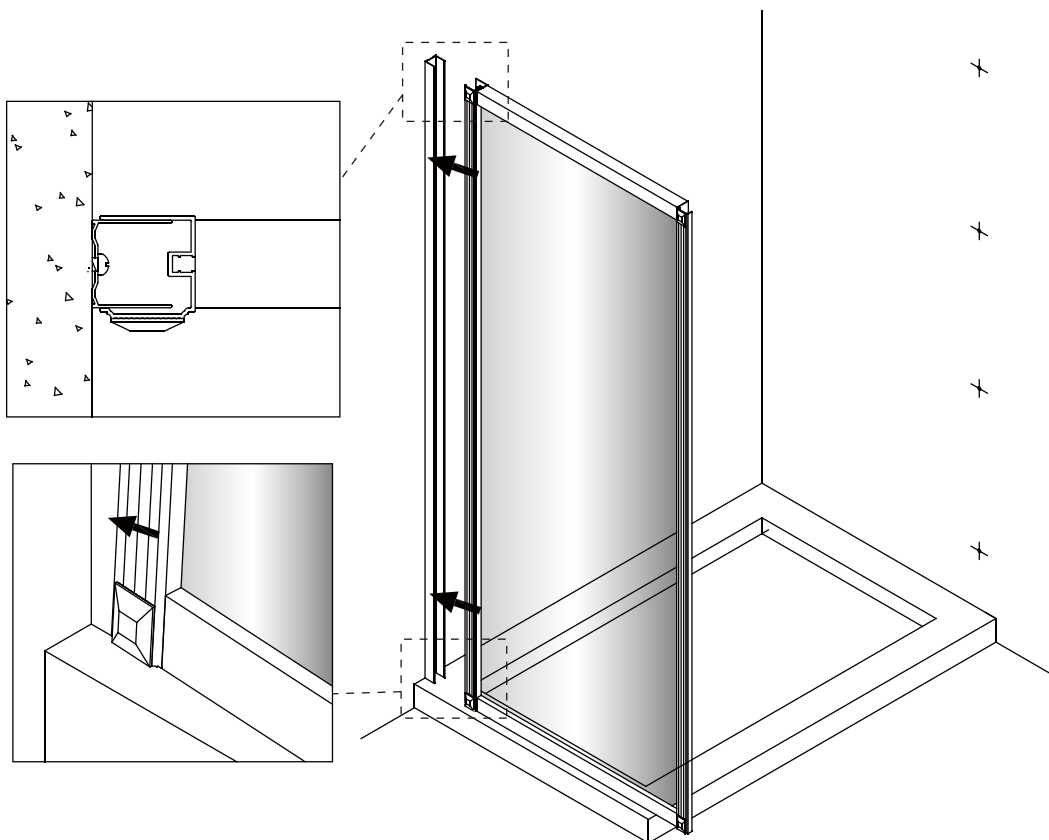
Item	A (mm)	
C20	800 Hinged door	760 ~ 780
C21	900 Hinged door	860 ~ 880

Item	B (mm)	
C11	700 Side Panel	660 ~ 680
C12	760 Side Panel	720 ~ 740
C13	800 Side Panel	760 ~ 780
C14	900 Side Panel	860 ~ 880

Item	C (mm)	
C15	200 Inline Panel	200
C16	300 Inline Panel	300

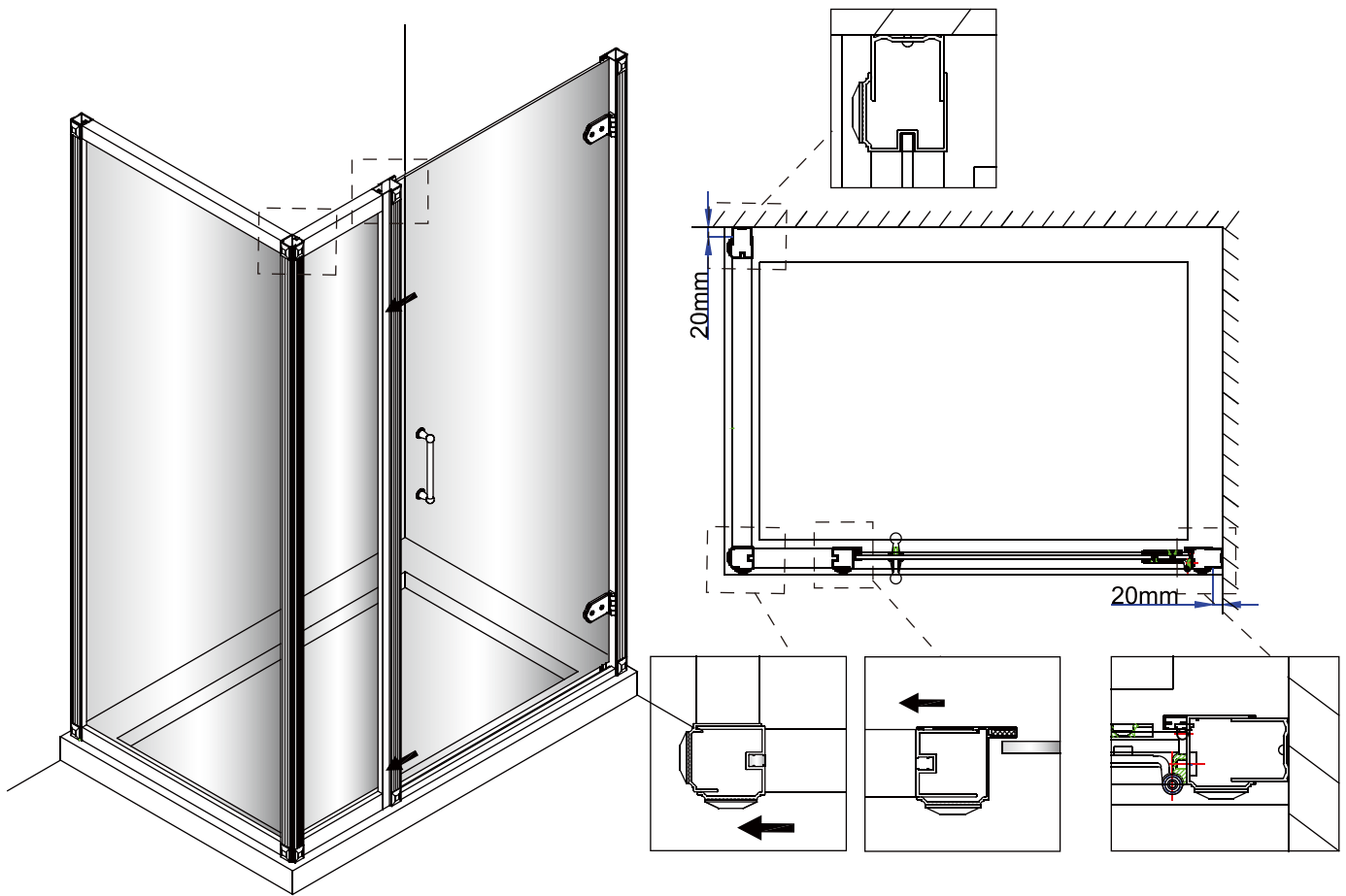


③

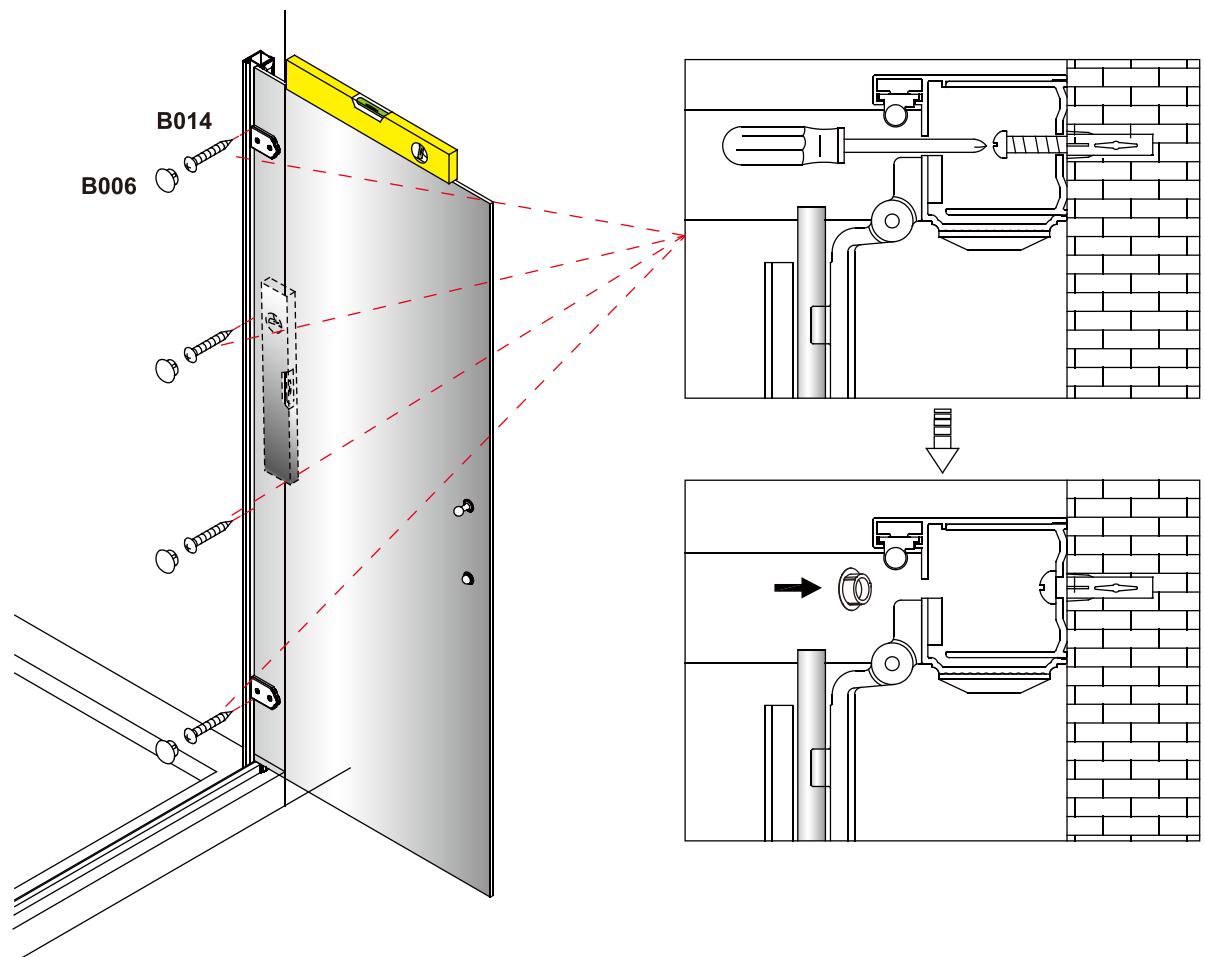


④

- Inline panel should be totally fitted within side panel and door profiles.
- Any adjustment required, can be gained from the wall profiles only.

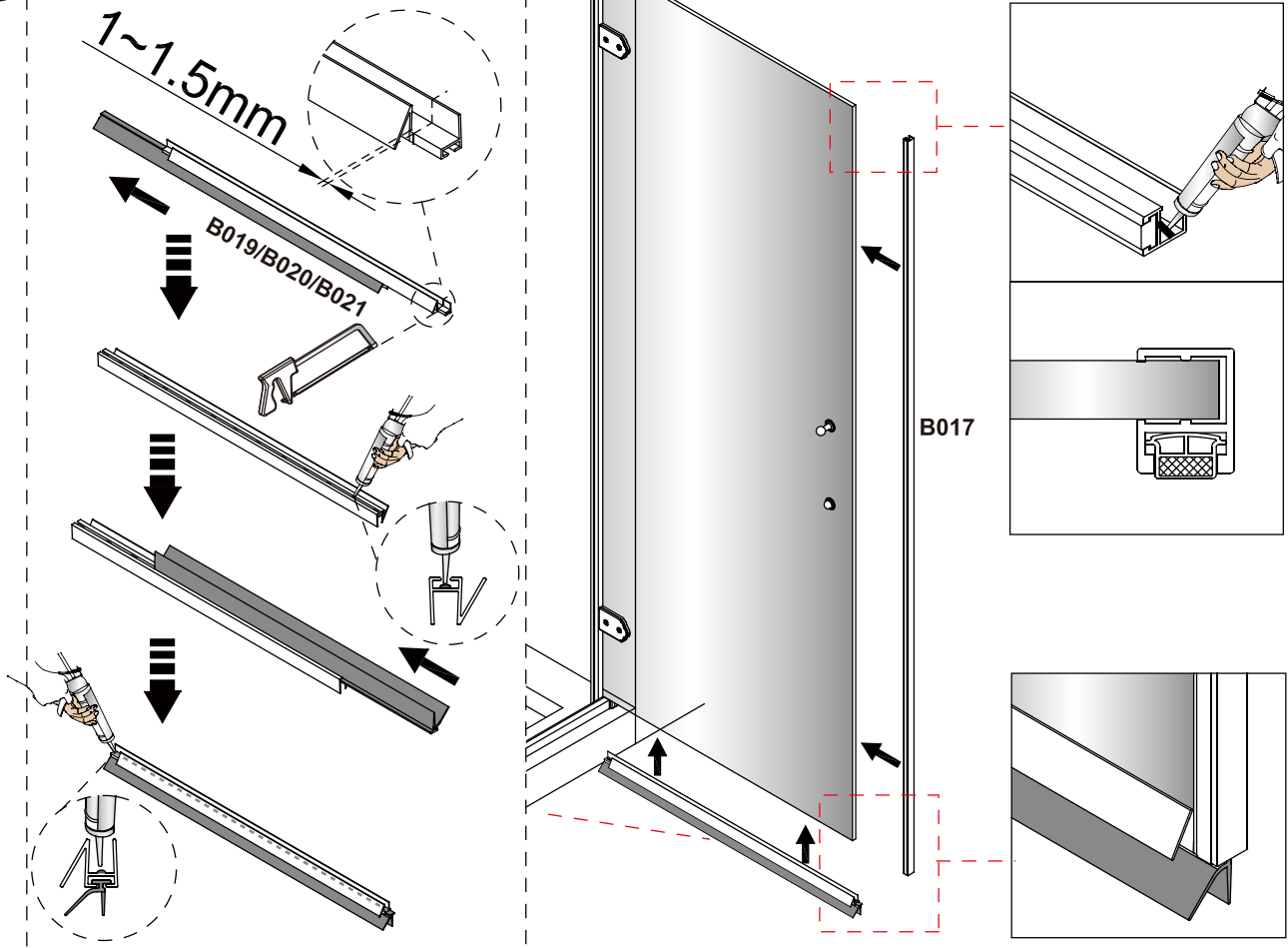


⑤

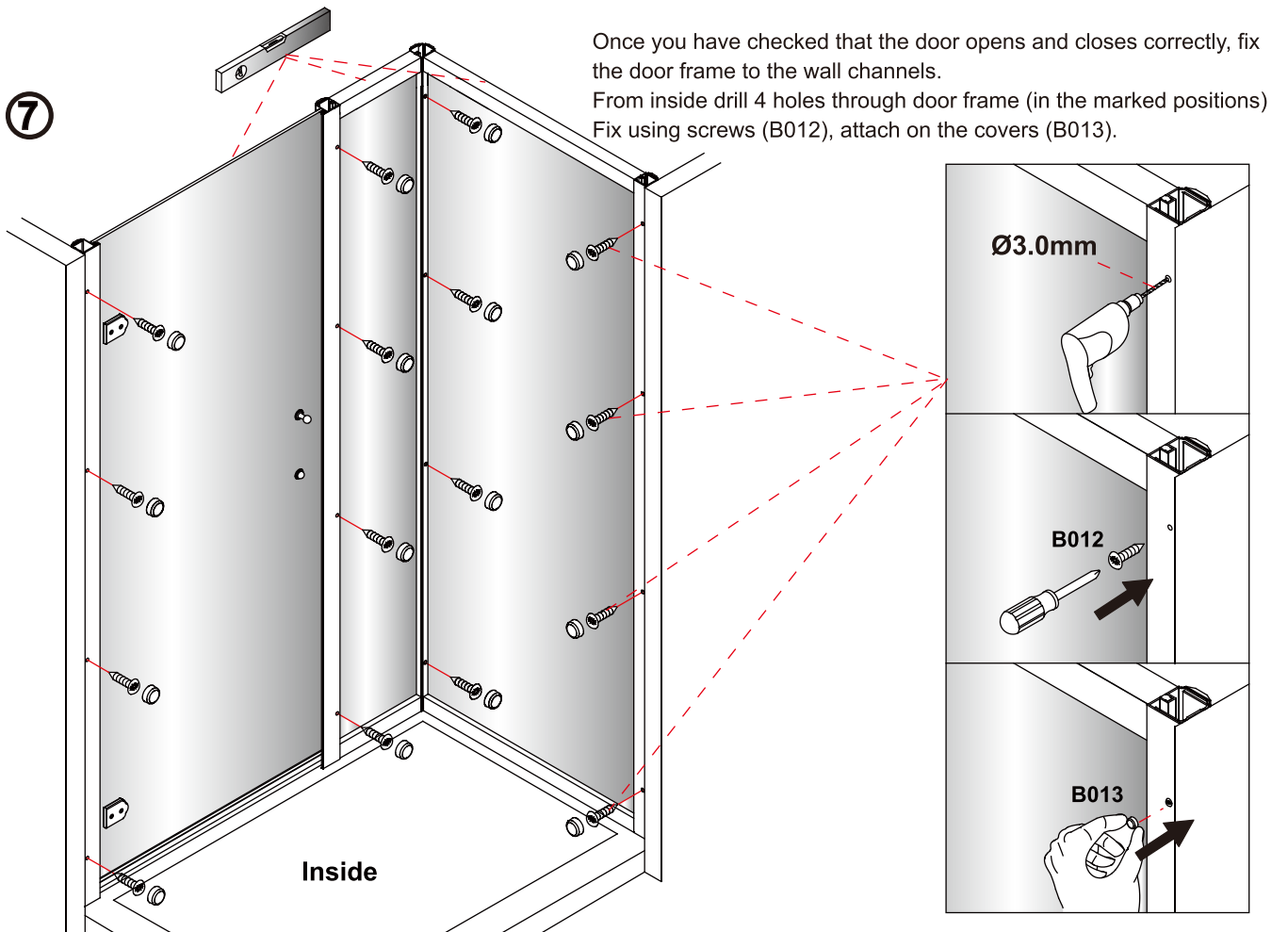


* Please note when cutting parts B019/B20/B21 a sharp fine tooth hacksaw should be used.

⑥



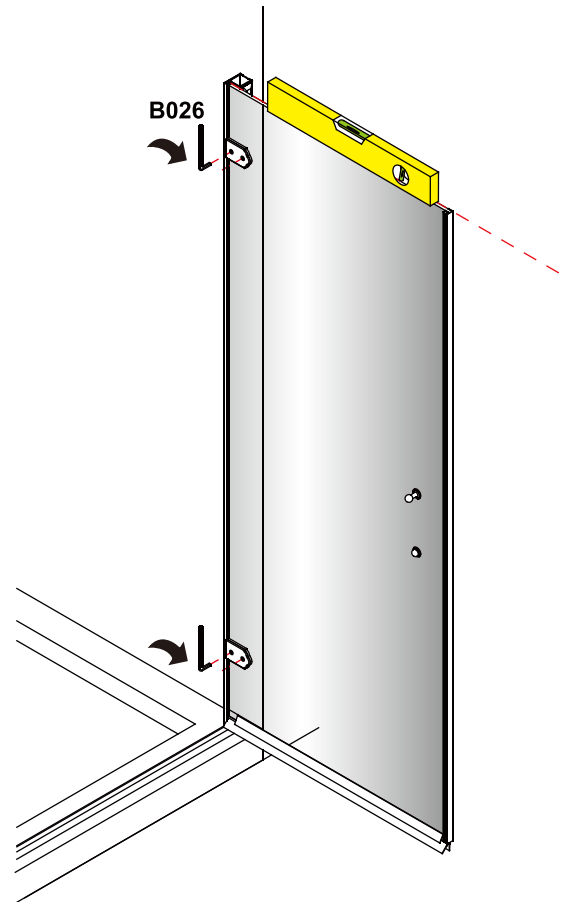
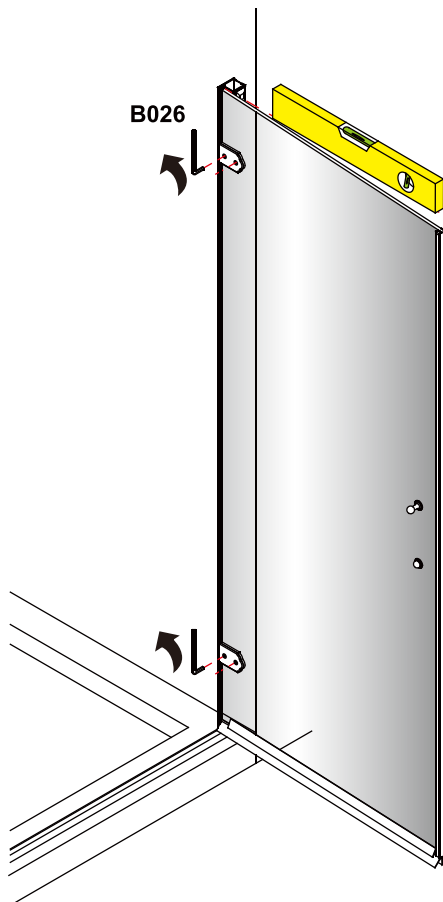
⑦



Once you have checked that the door opens and closes correctly, fix the door frame to the wall channels.
From inside drill 4 holes through door frame (in the marked positions)
Fix using screws (B012), attach on the covers (B013).

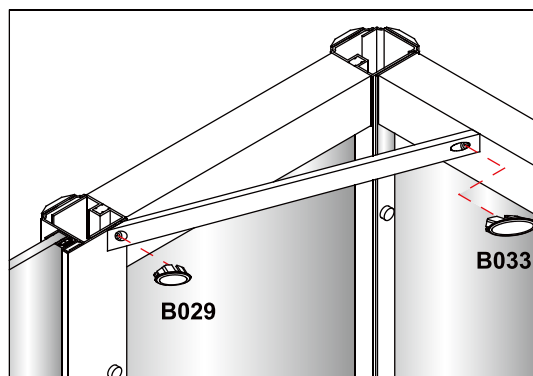
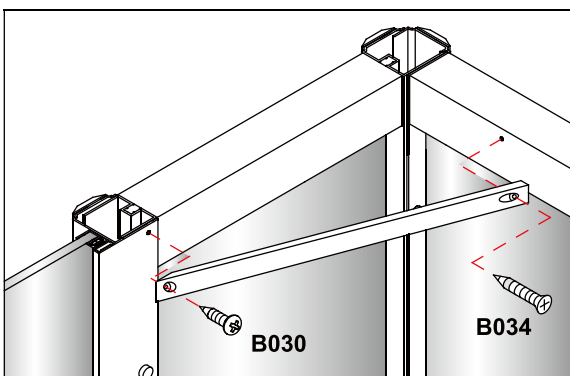
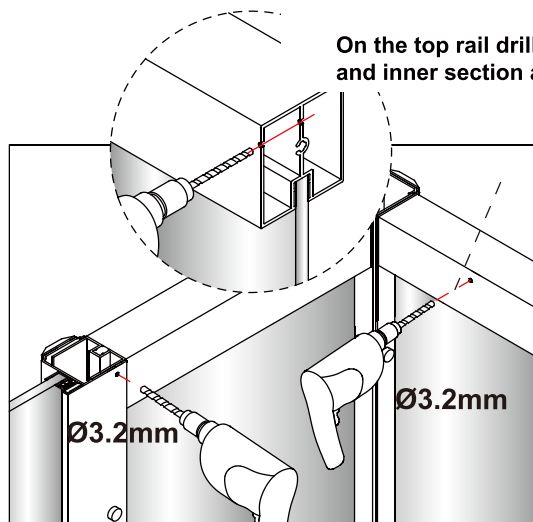
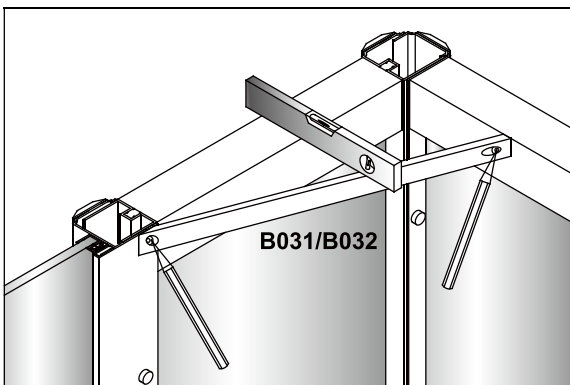


Only if adjustment is required.

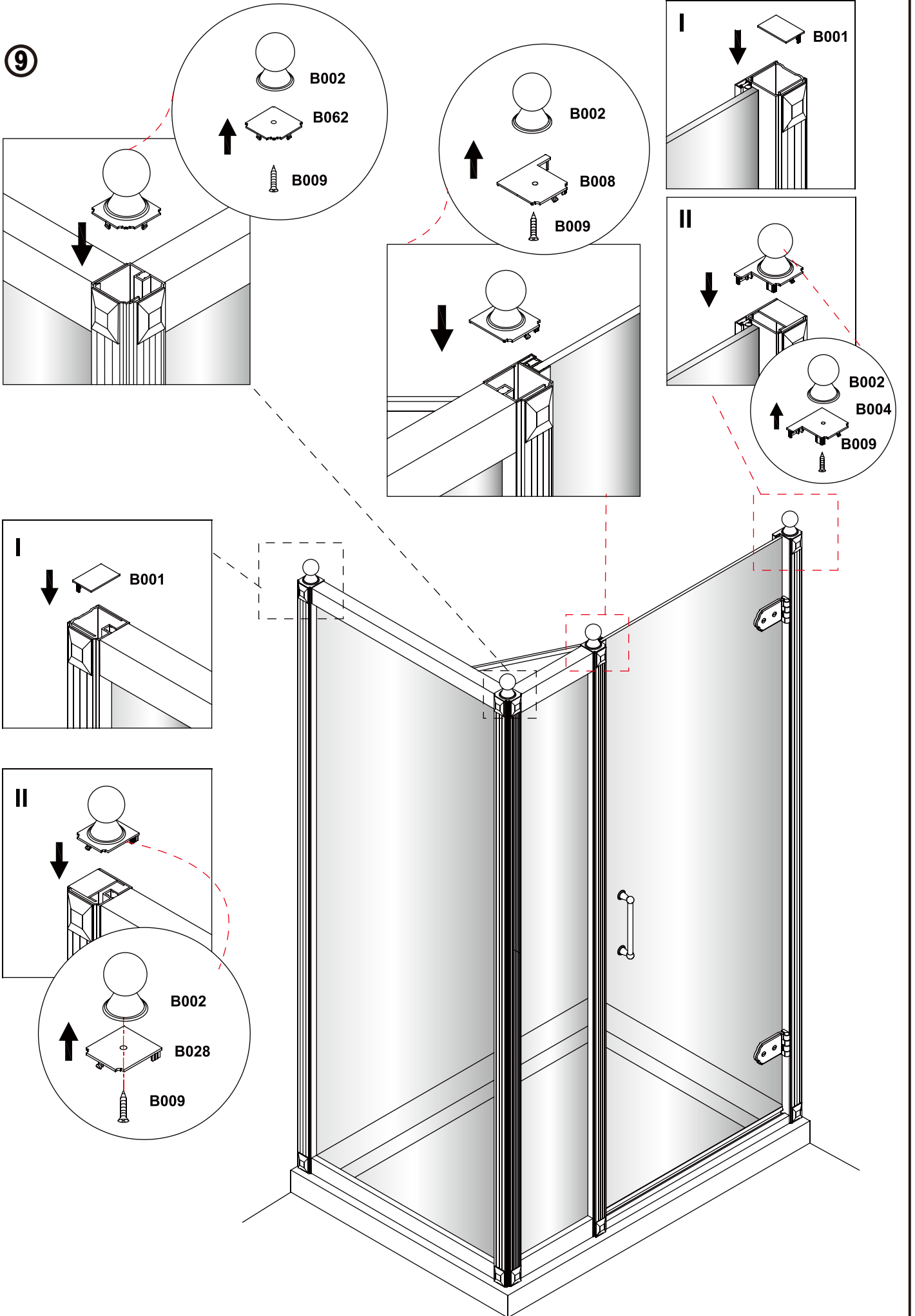


8

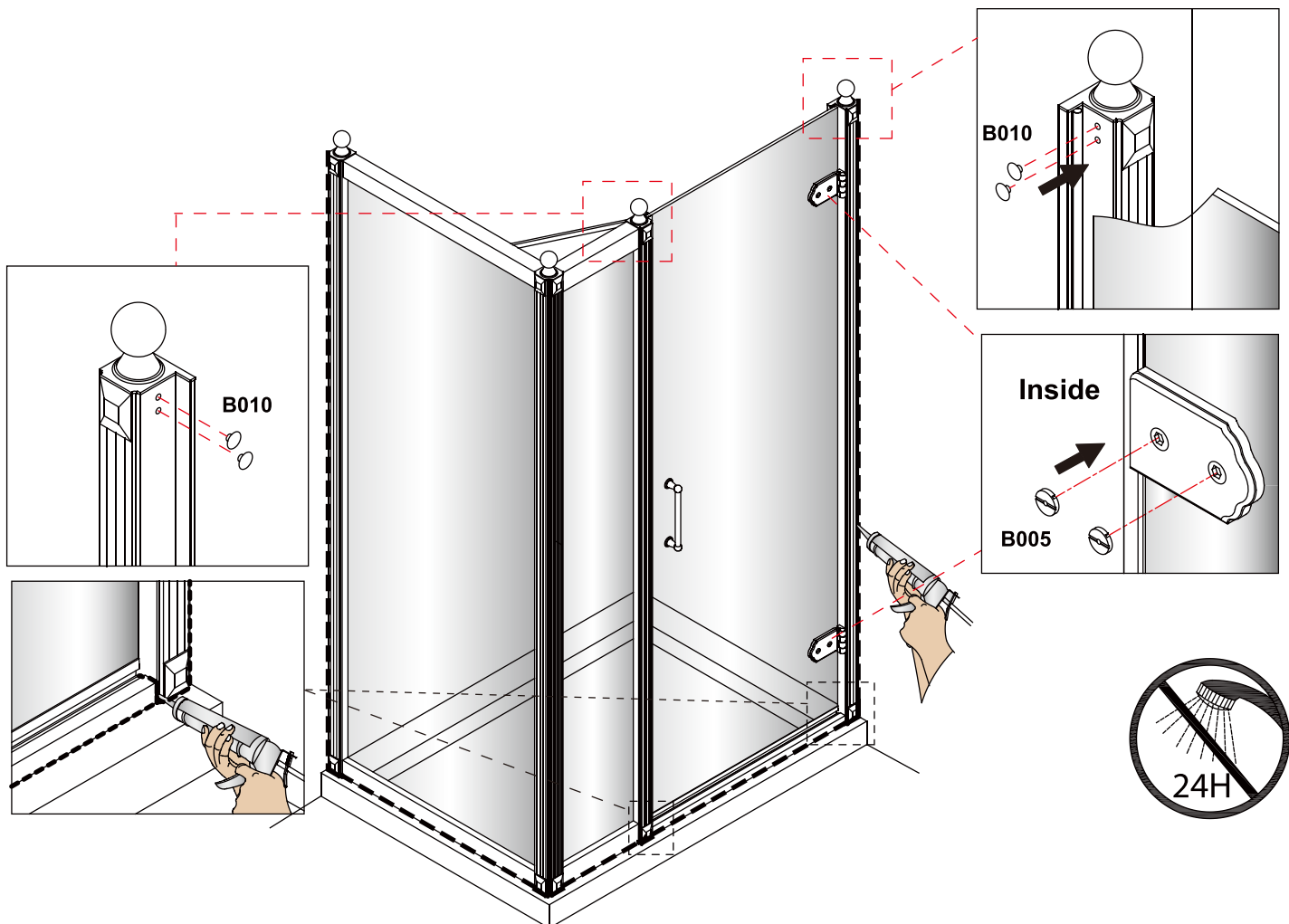
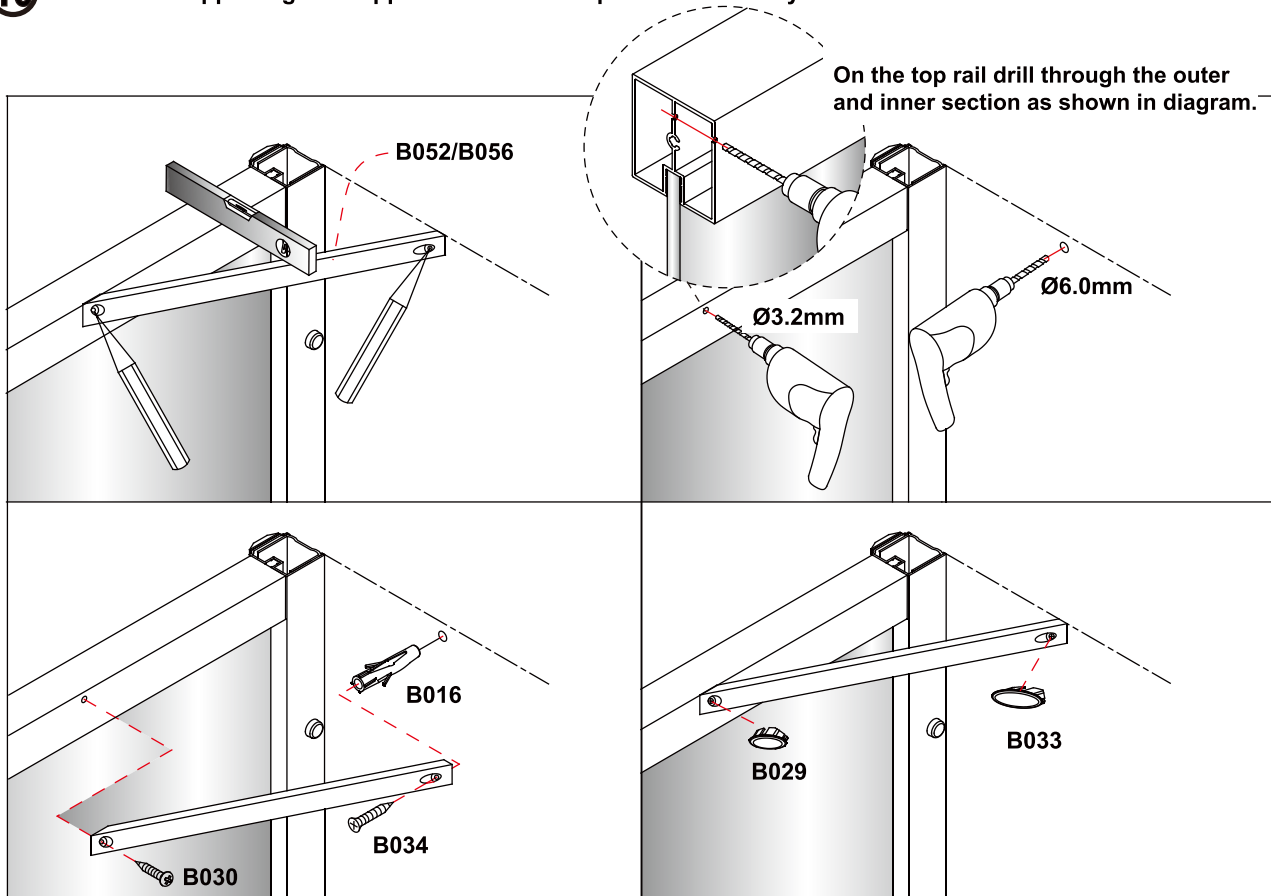
On the top rail drill through the outer and inner section as shown in diagram.



9



10 Install the supporting bar supplied with the side panel if necessary.



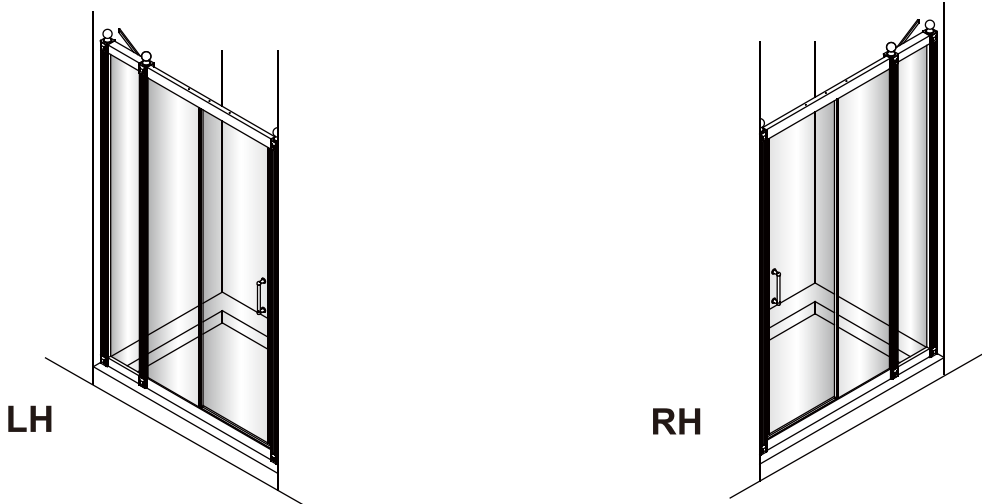
Hinged Door and Inline Panel with Side Panel Installation Complete

- PLEASE REFER TO THE SLIDER DOOR AND SIDE PANEL INSTRUCTIONS FOR CORRECT INSTALLATION WITH THIS INLINE PANEL.
- Check the contents of the pack carefully before installation.
- The tray **MUST** be installed level and fully sealed to the tiles.
- Handle with care. Impacts can damage both the glass and the frame.
- Check for any hidden pipes or cables before drilling holes in the wall.
- The enclosure is reversible: " door can be either left or right opening. "
 In the remainder of this manual the illustrations will only show the right hand installation.
 The parts marked "LH" or "RH" would be only suitable for the relative shower enclosure.
- The wall fixings supplied may not be suitable for your installation. You may need to source alternatives depending on the construction of the wall you are fixing to.

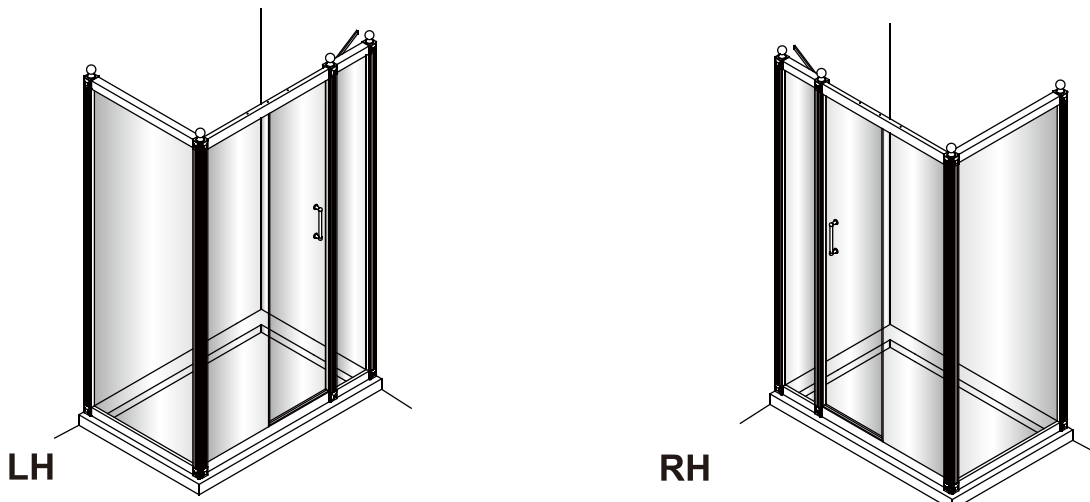
Care and Cleaning:

- Do not use solvents or abrasive material or chemicals to clean the enclosure.
- Only clean using soapy water and a soft cloth, rinse thoroughly afterwards.

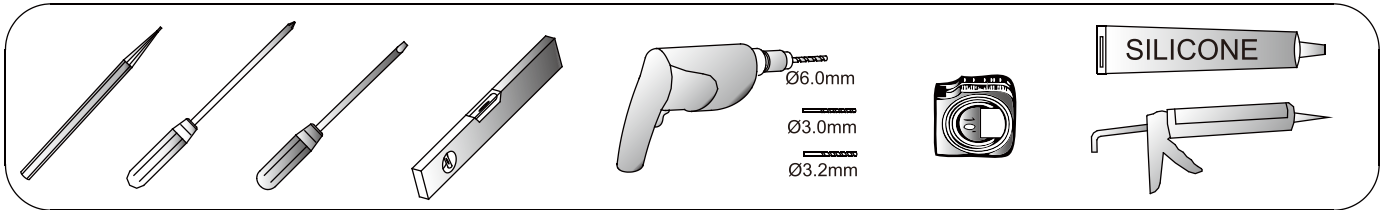
Sliding Door and Inline Panel (Pages 5 - 11)



Sliding Door and Inline Panel with Side Panel (Pages 12 - 18)

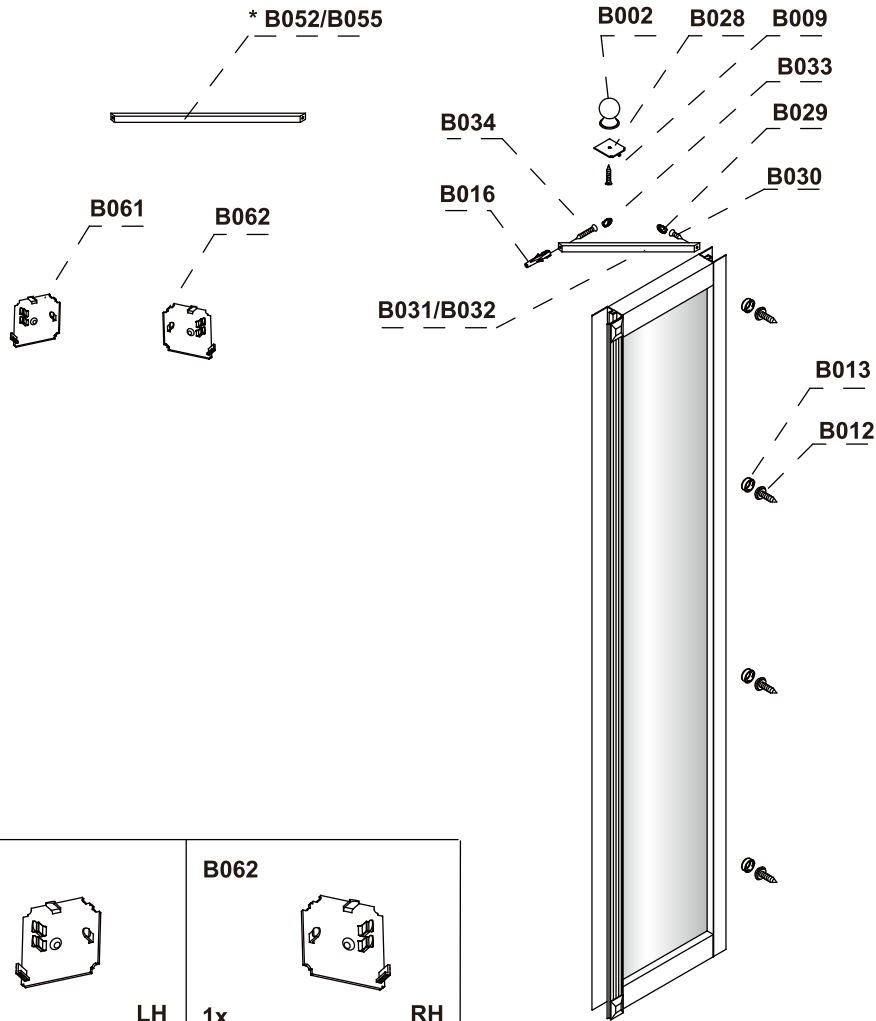


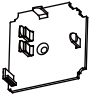
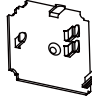











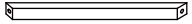

Tools required:



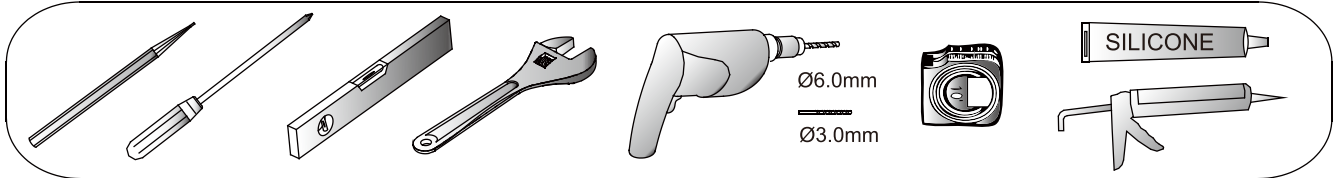
Parts supplied:

Inline Panel Box - C15/C16



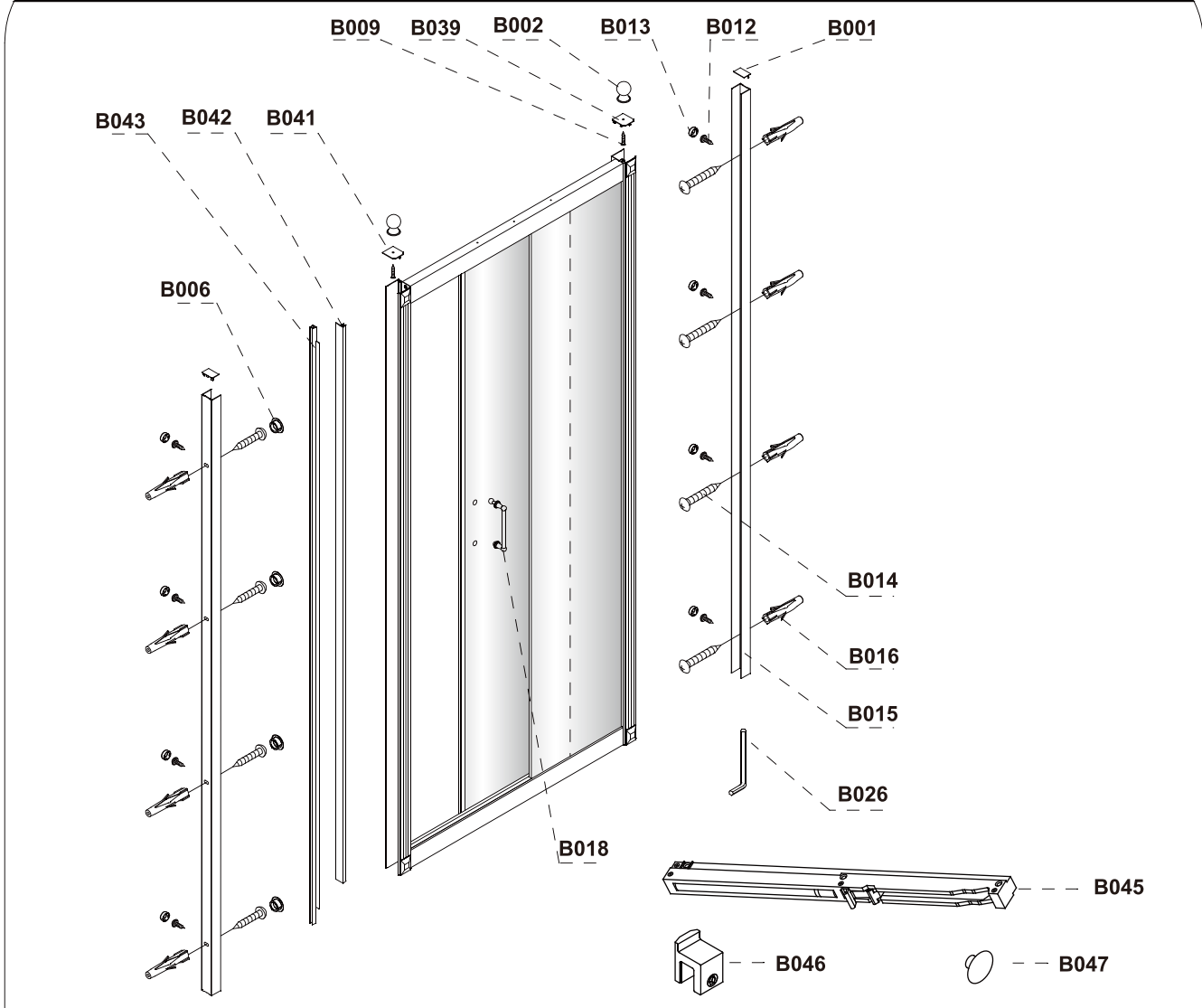
<p>B061</p>  <p>1x LH</p>	<p>B062</p>  <p>1x RH</p>			
<p>B002</p>  <p>1x</p>	<p>B027</p>  <p>1x</p>	<p>B028</p>  <p>1x</p>	<p>B009</p>  <p>1x</p> <p>ST3.5*16mm</p>	<p>B034</p>  <p>1x</p> <p>ST4*35mm</p>
<p>B033</p>  <p>1x</p>	<p>B030</p>  <p>1x</p> <p>ST4*25mm</p>	<p>B029</p>  <p>1x</p>	<p>B016</p>  <p>1x</p>	<p>B012</p>  <p>4x</p> <p>ST3.5*10mm</p>
<p>B013</p>  <p>4x</p>	<p>B031/B032</p>  <p>1x</p> <p>- B031 is for 200 Inline panel - B032 is for 300 Inline panel</p>	<p>* B052/B055</p>  <p>1x</p> <p>- B052 is for 200 Inline panel - B055 is for 300 Inline panel</p>		

Tools required:



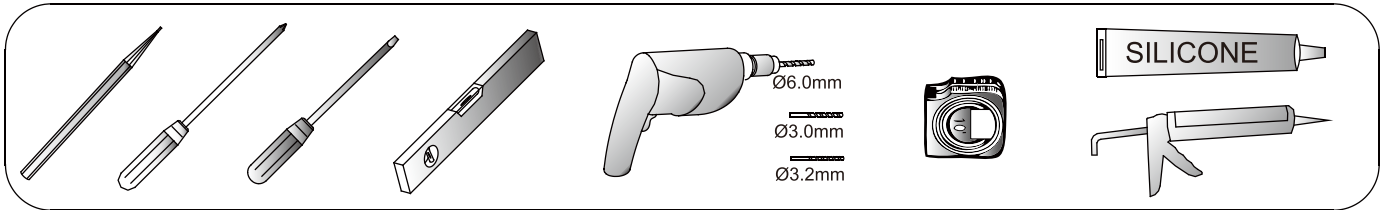
Parts supplied:

Sliding Door - C6S/C7S/C8S



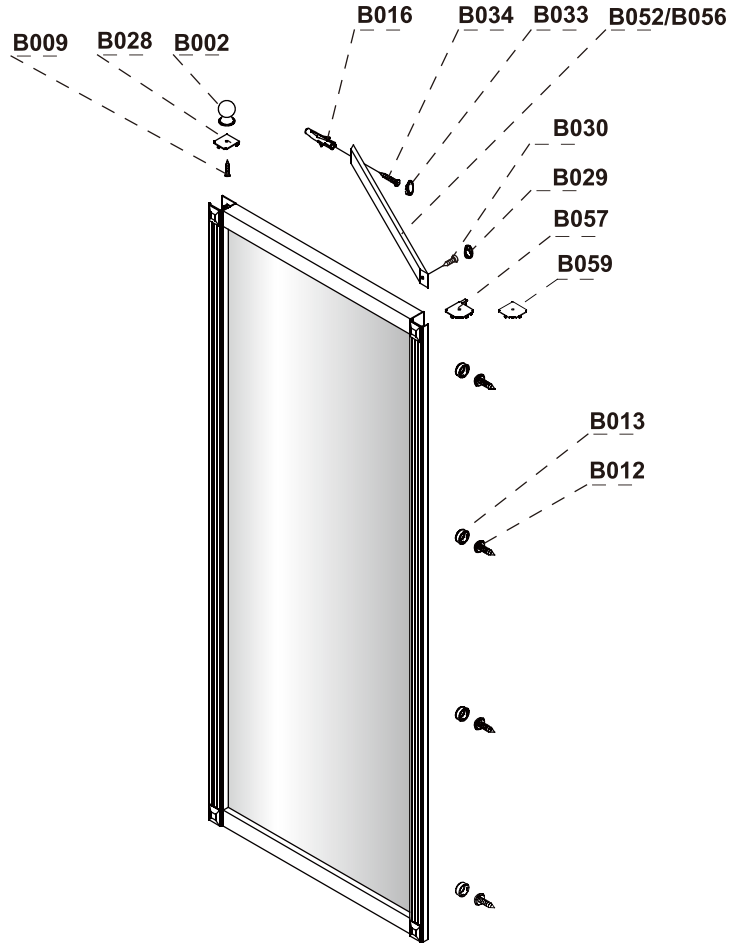
B001 2x	B012 8x ST3.5x10mm	B013 8x	B002 2x	B038 1x LH	B039 1x RH
B009 2x ST3.5x16mm	B040 1x LH	B041 1x RH	B042 1x	B043 1x	B006 4x
B018 1x	B014 8x ST4x50mm	B016 8x	B015 2x	B026 1x 4mm	
B045 1x	B046 1x			B047 1x	

Tools required:



Parts supplied:

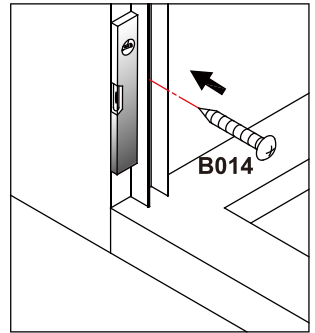
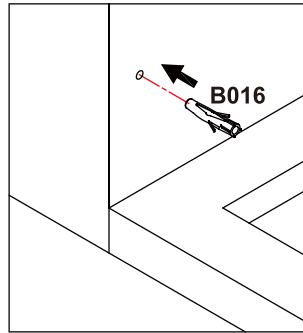
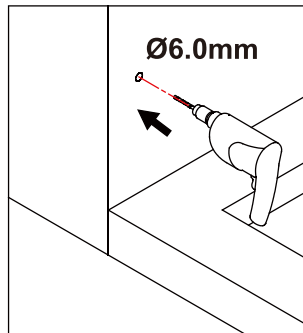
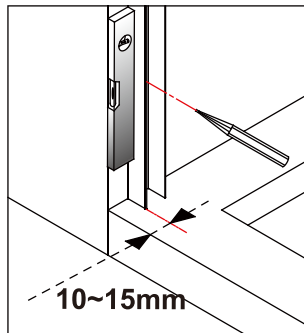
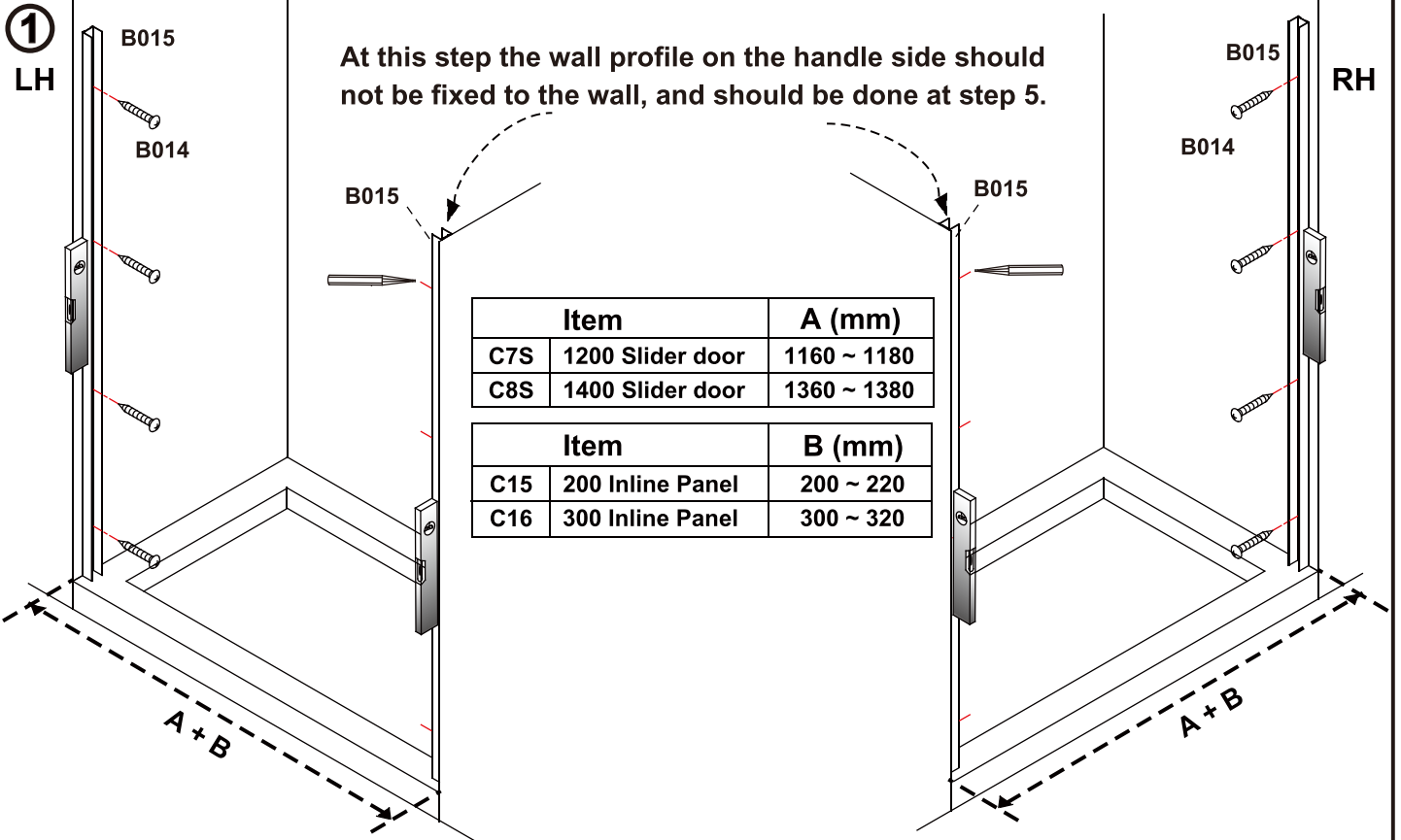
Side Panel Box - C11/C12/C13/C14



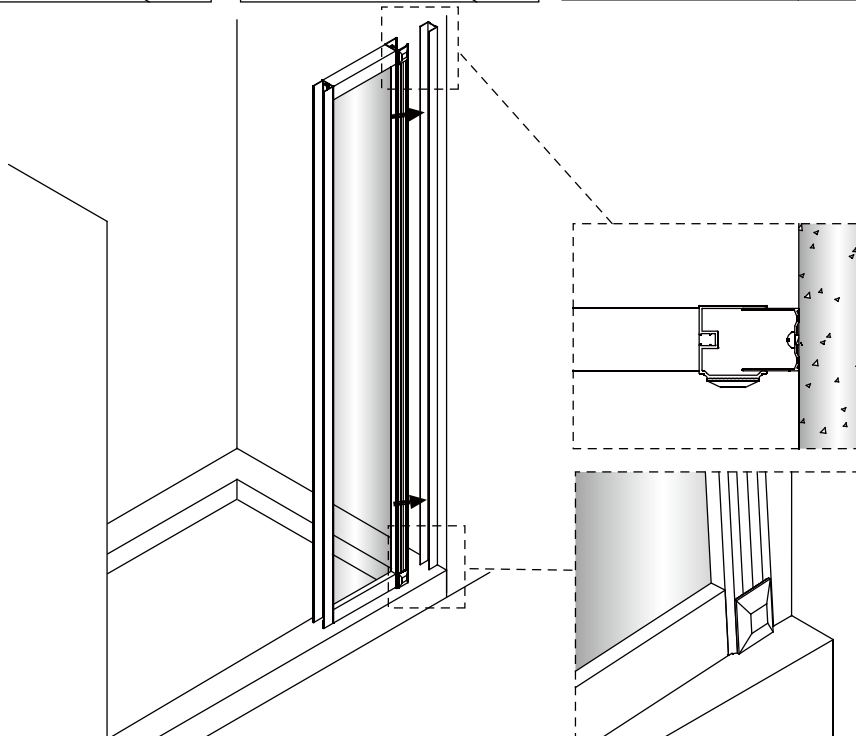
B002 1x	B027 1x	B028 1x	B009 1x ST3.5*16mm	B034 1x ST4*35mm
B033 1x	B030 1x ST4*25mm	B029 1x	B016 1x	B012 4x ST3.5*10mm
B013 4x	B057 1x RH	B058 1x LH	B059 1x RH	B060 1x LH
B052/B056 1x				

- B052 is for 700, 760, 800 side panel
 - B056 is for 900 side panel

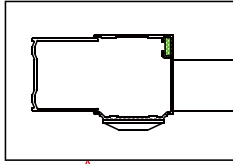
Sliding Door and Inline Panel (Pages 5 - 11)



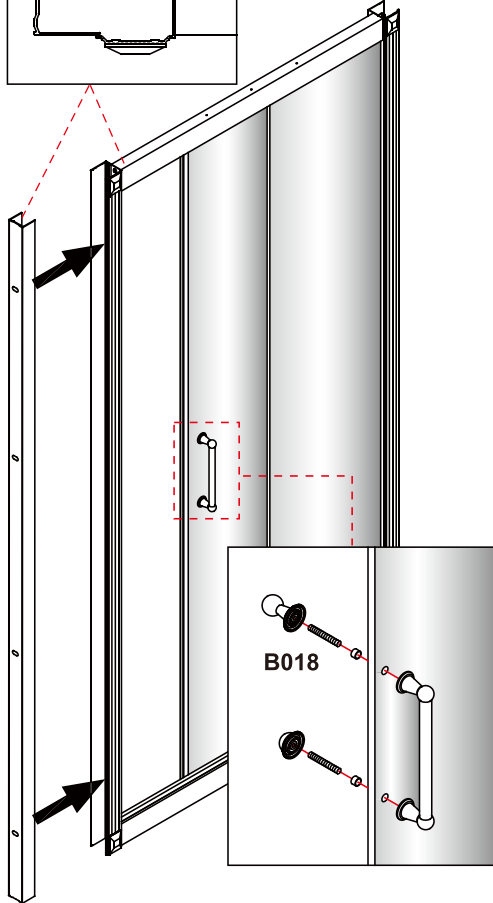
②



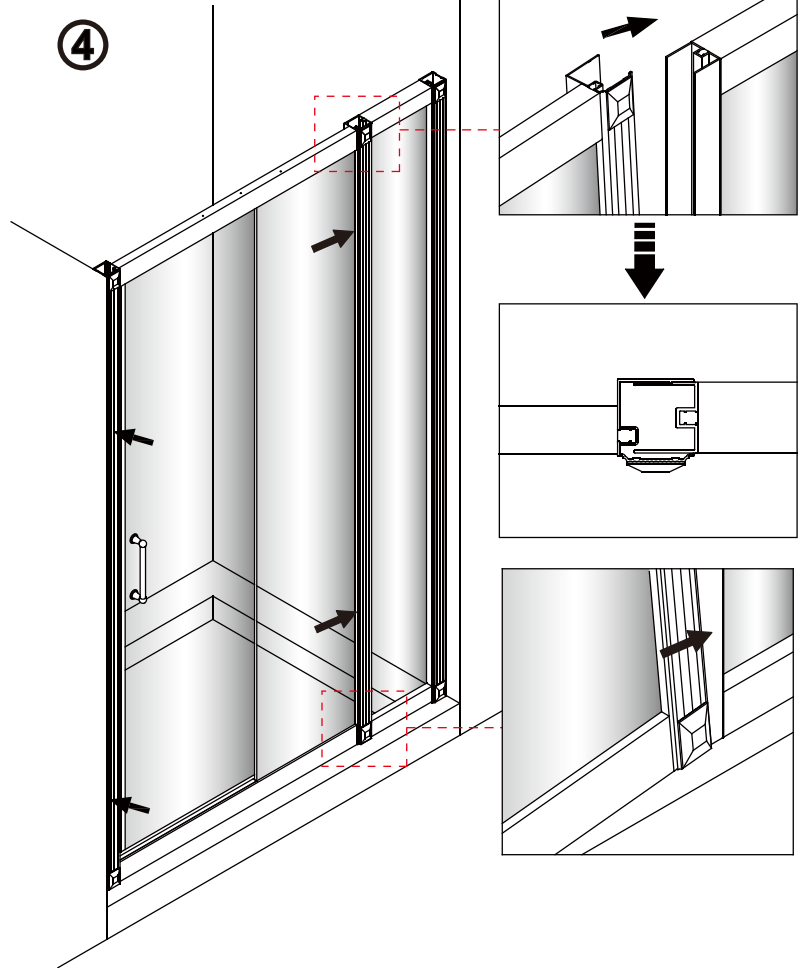
③



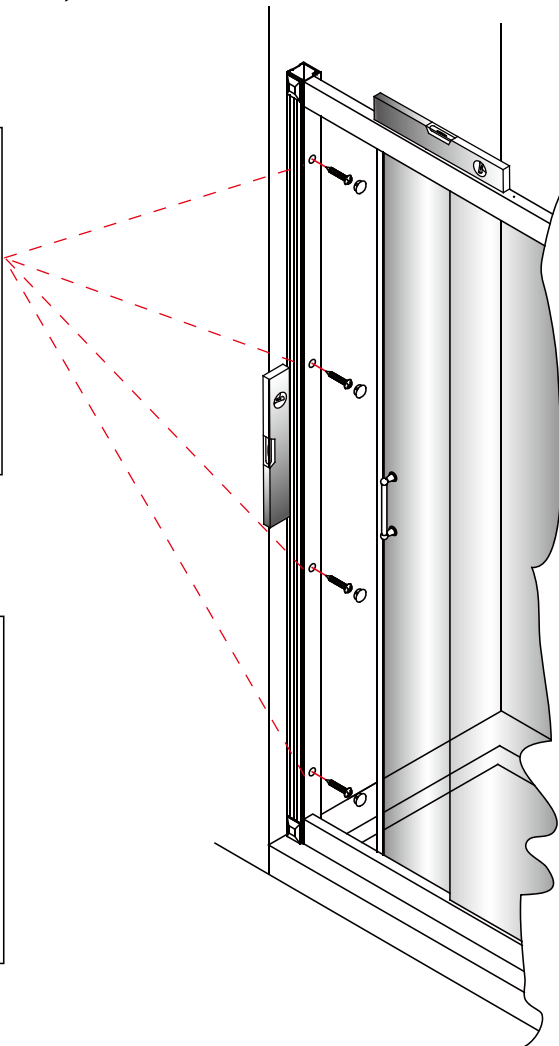
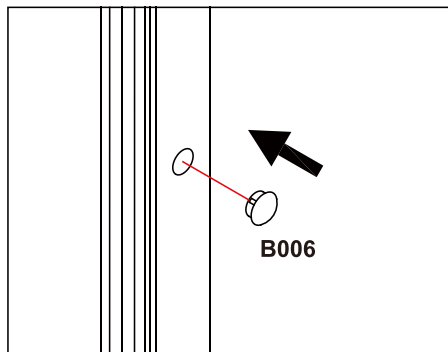
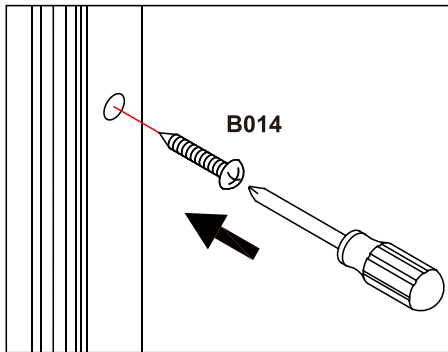
B015



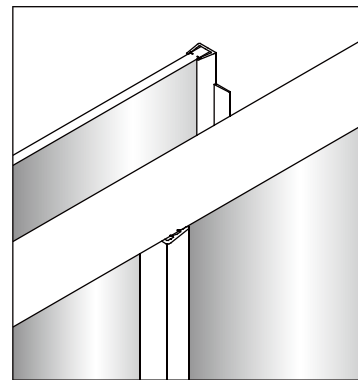
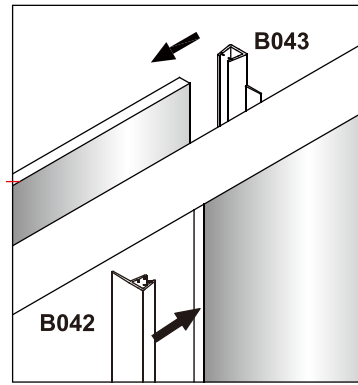
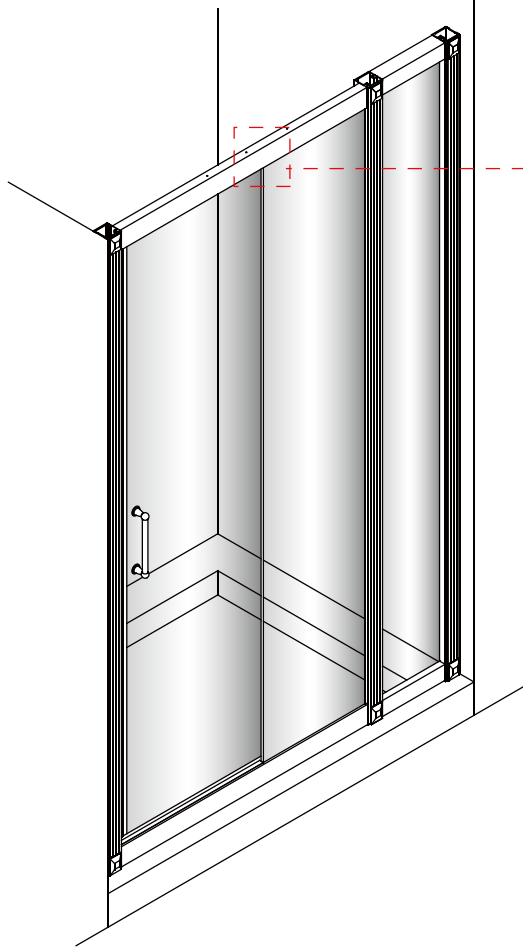
④



⑤

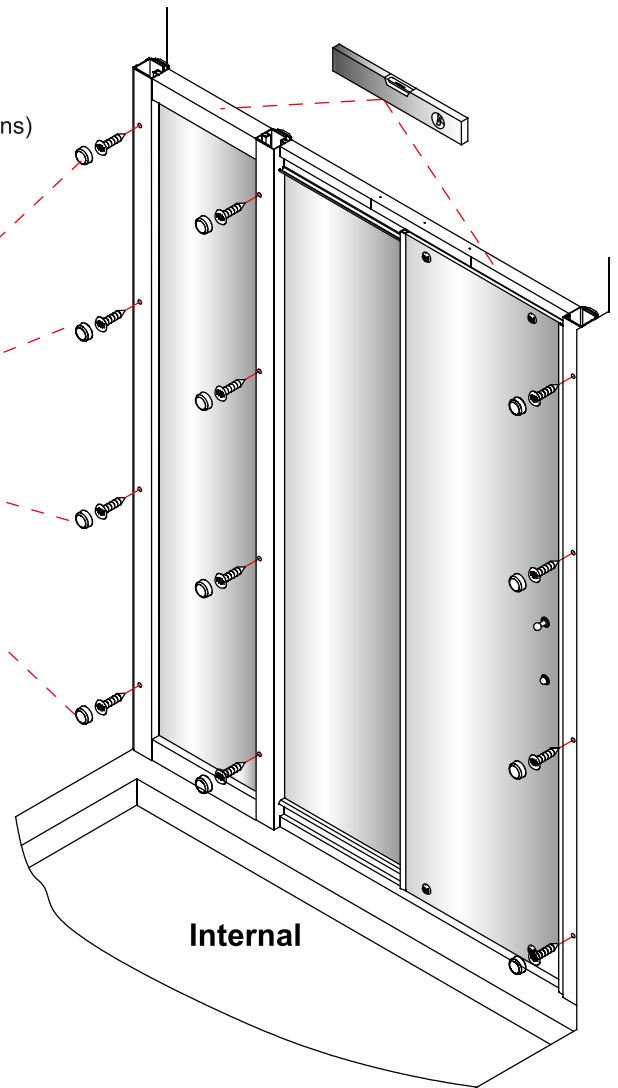
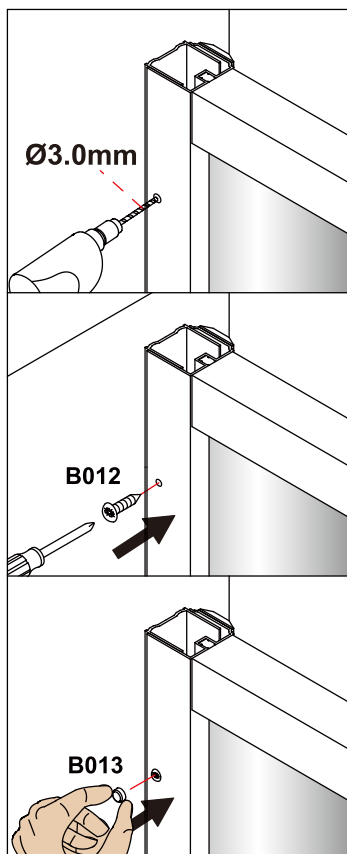


6



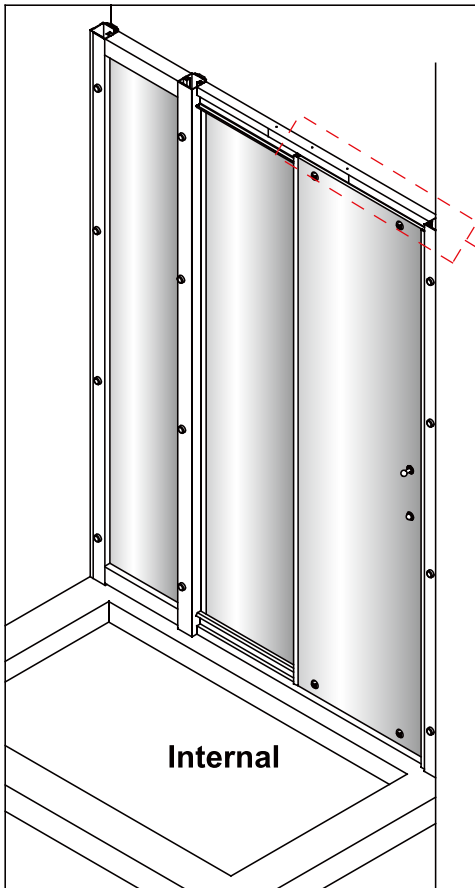
7

Once you have checked that the door opens and closes correctly fix the door to the wall channels. From inside drill 4 holes through the door frame (in the marked positions) Fix using screws (B012), attach on the caps (B013).





Only if adjustment is required.

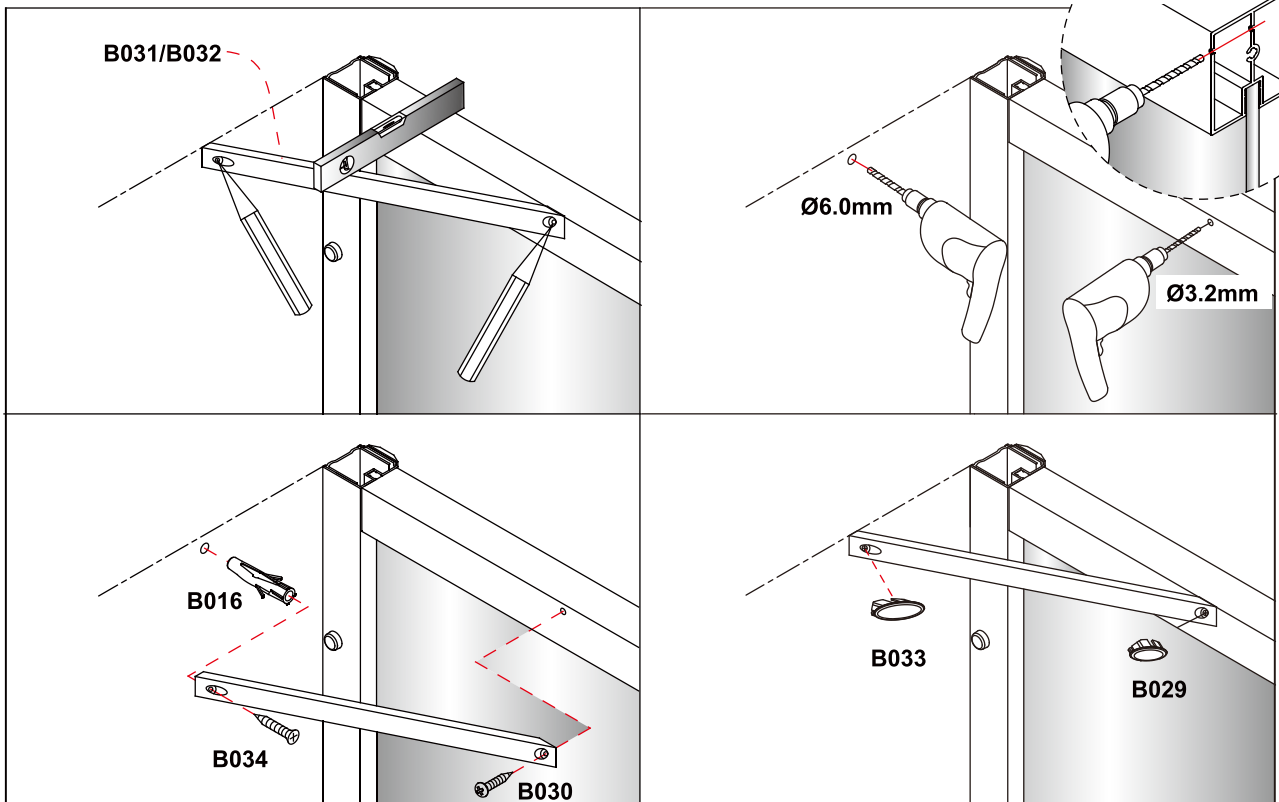


Internal

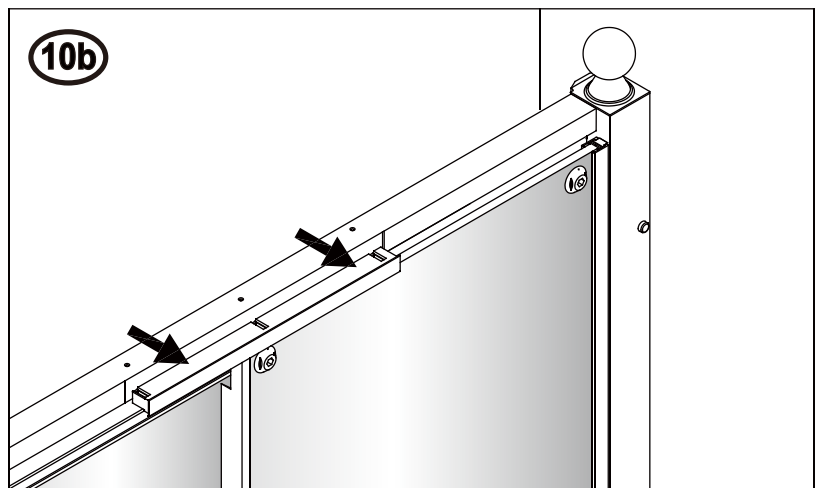
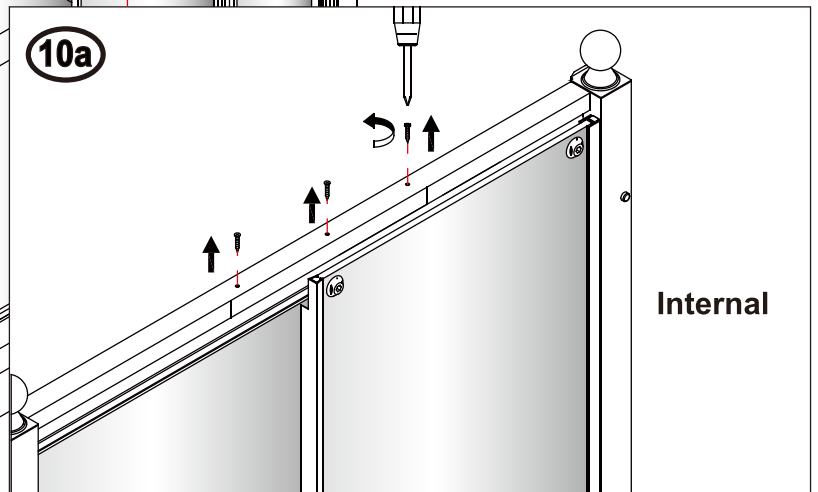
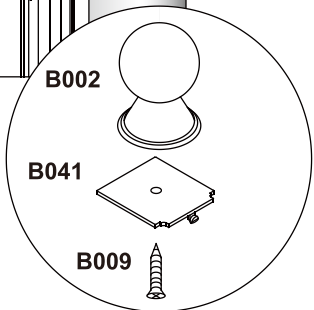
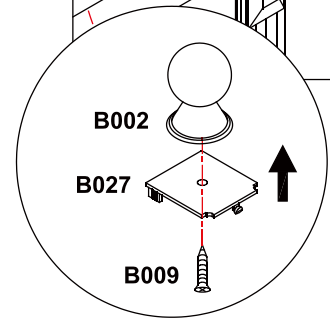
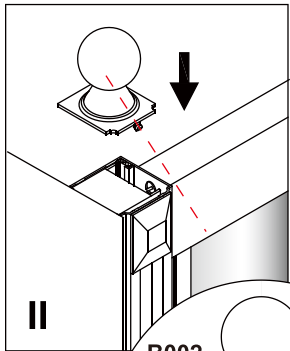
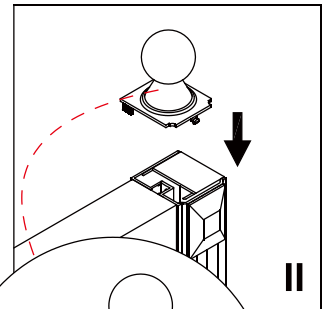
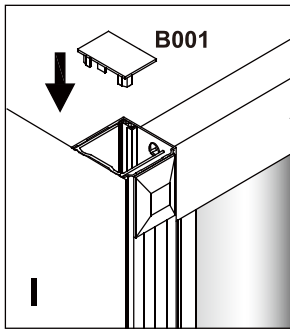
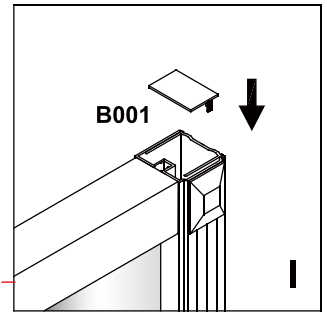
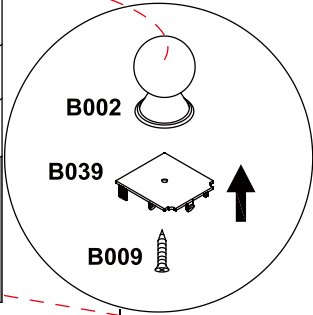
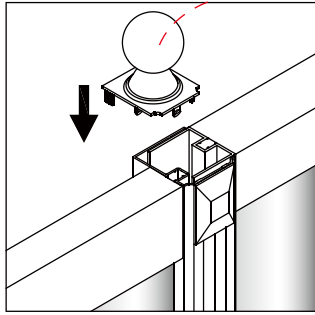
Problem	Resolution

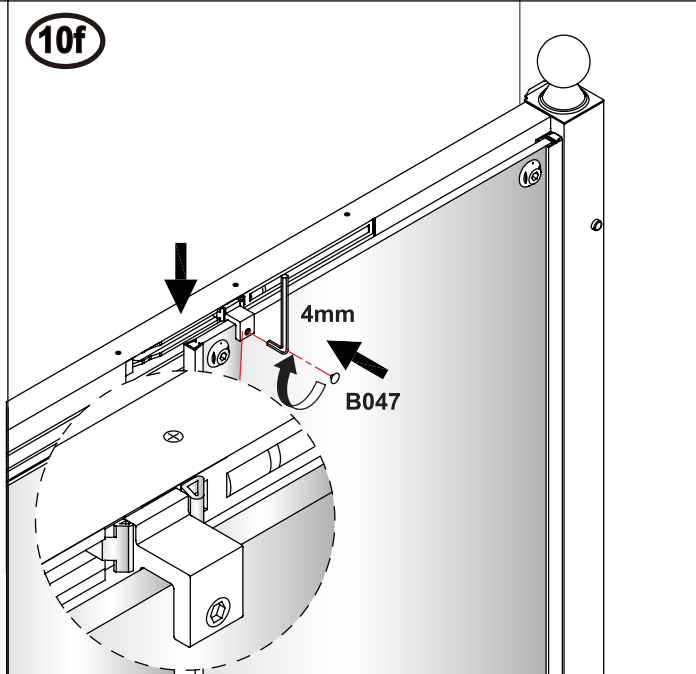
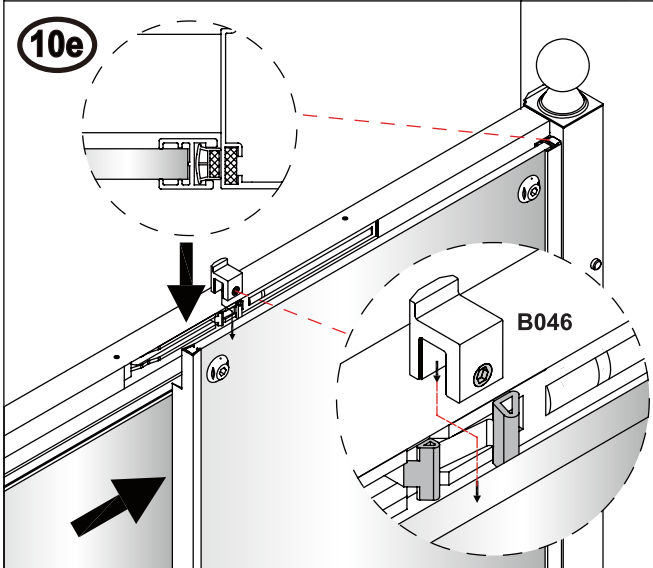
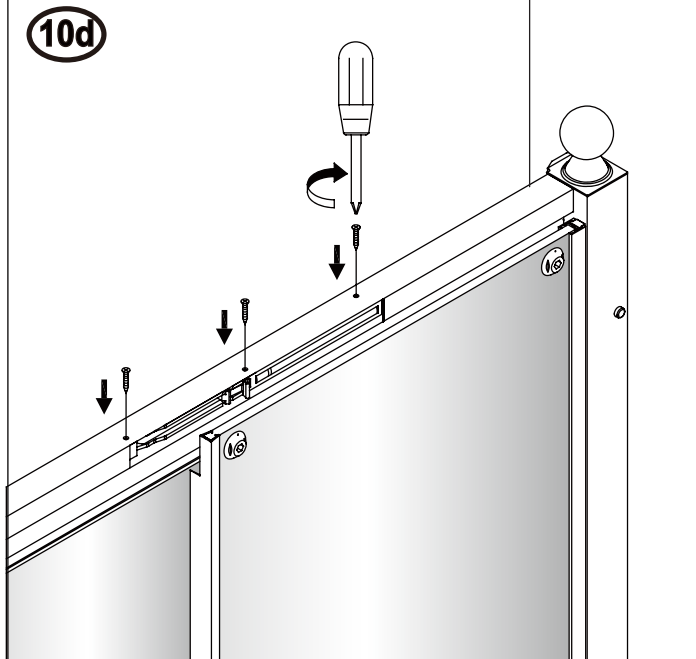
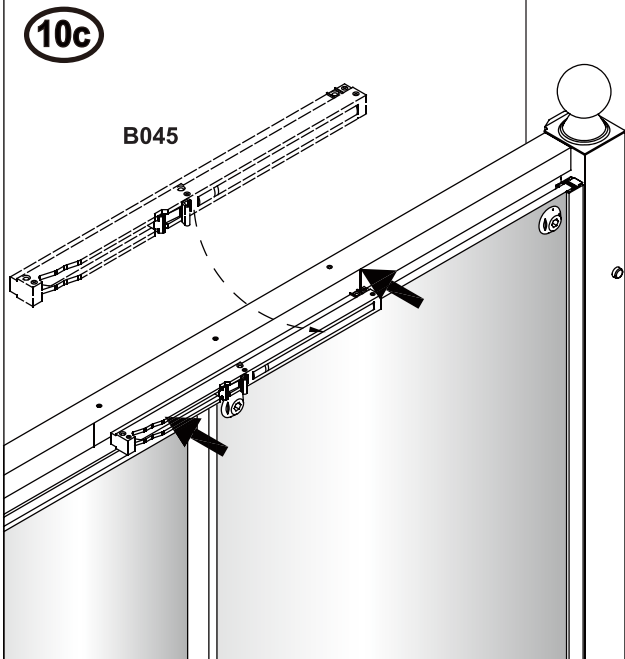
8

On the top rail drill through the outer and inner section as shown in diagram.

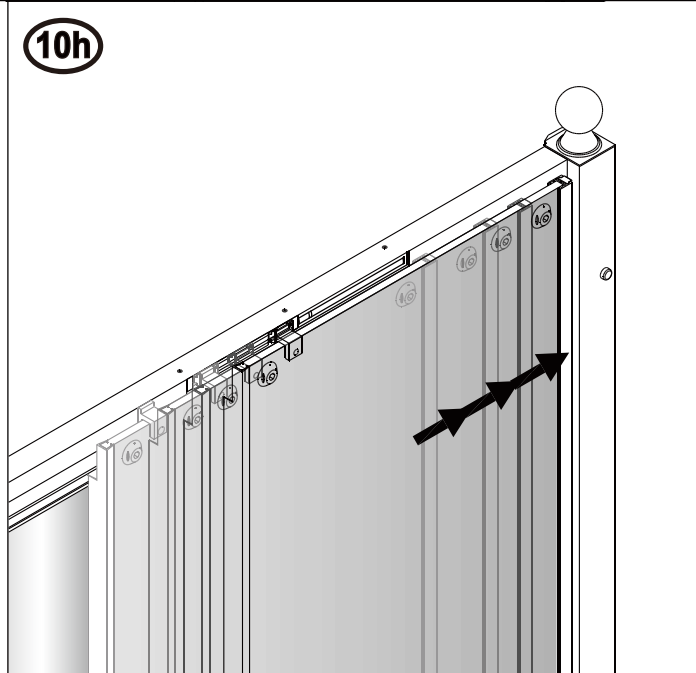
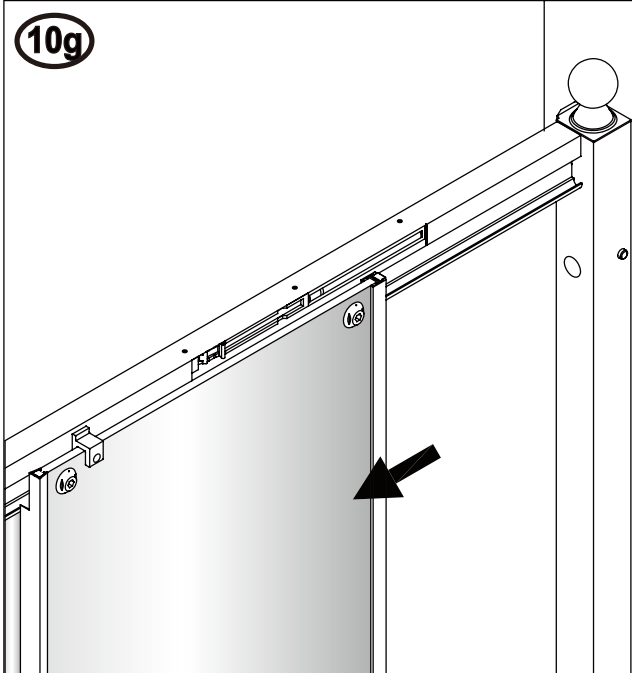


9

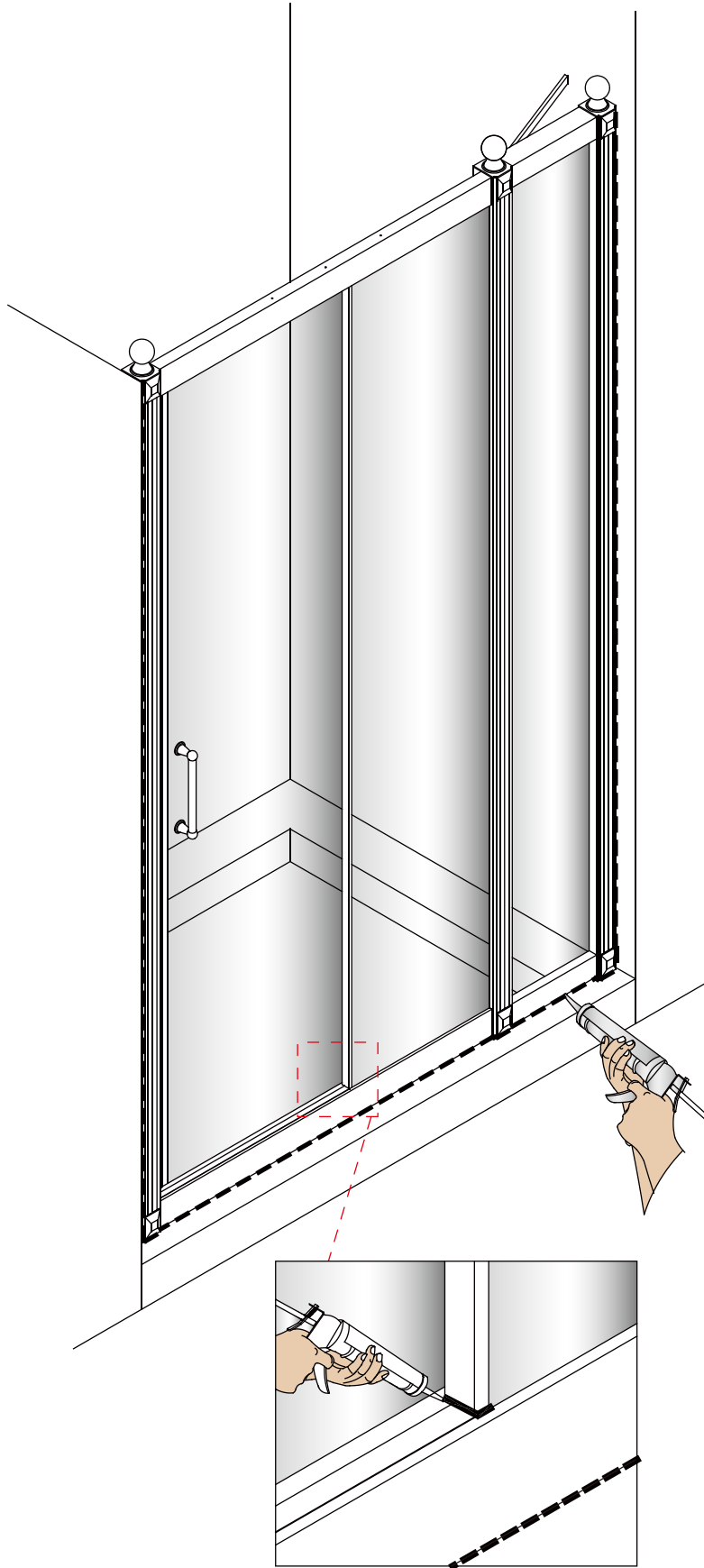




Make sure the door is closed well and there are no gaps. As indicated in the diagram between the clasps of the mechanism place the catch over the glass, and tighten to glass.



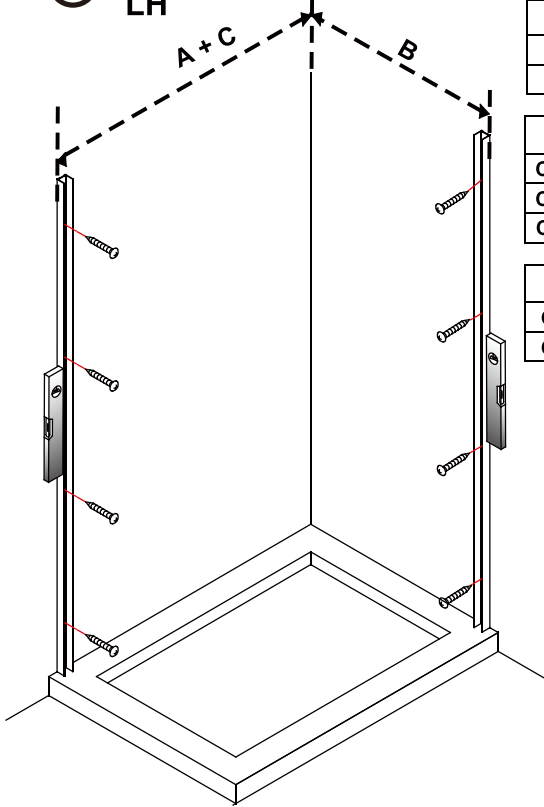
11



Sliding Door and Inline Panel Complete

Sliding Door and Inline Panel with Side Panel (Pages 12 - 18)

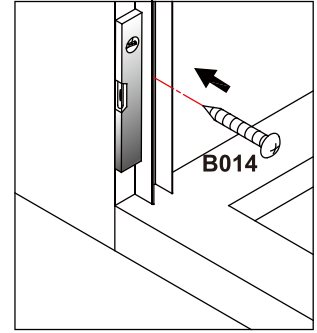
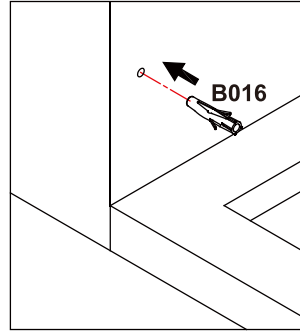
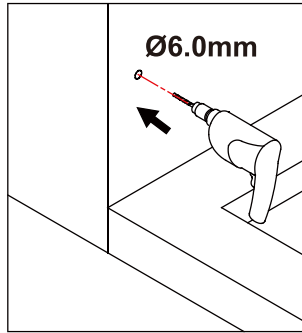
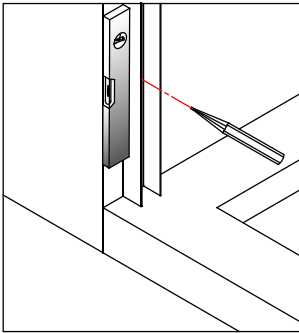
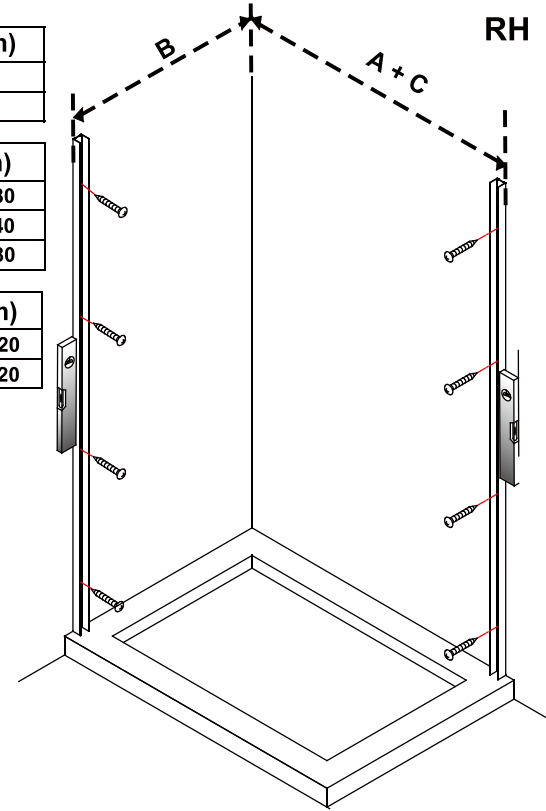
① LH



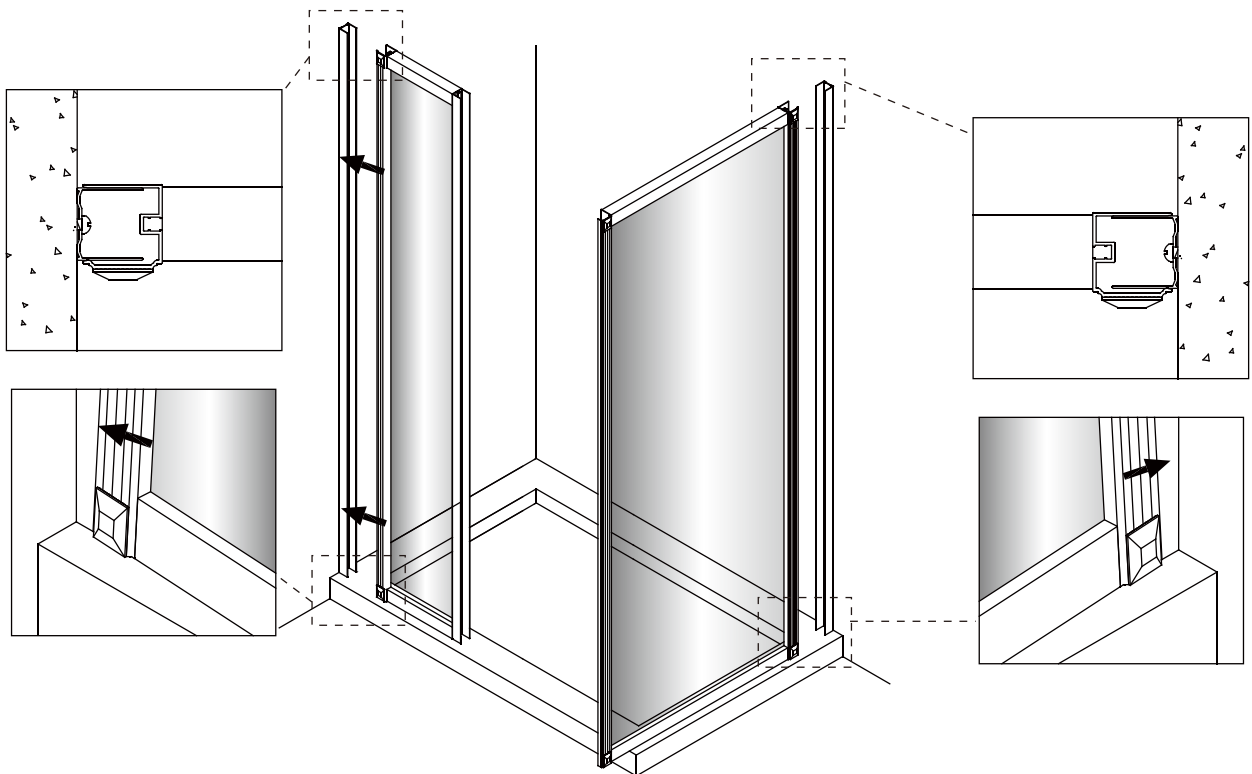
Item	A (mm)
C7S 1200 Slider door	1160
C8S 1400 Slider door	1360

Item	B (mm)
C11 700 Side Panel	660 ~ 680
C12 760 Side Panel	720 ~ 740
C13 800 Side Panel	760 ~ 780

Item	C (mm)
C15 200 Inline Panel	200 ~ 220
C16 300 Inline Panel	300 ~ 320

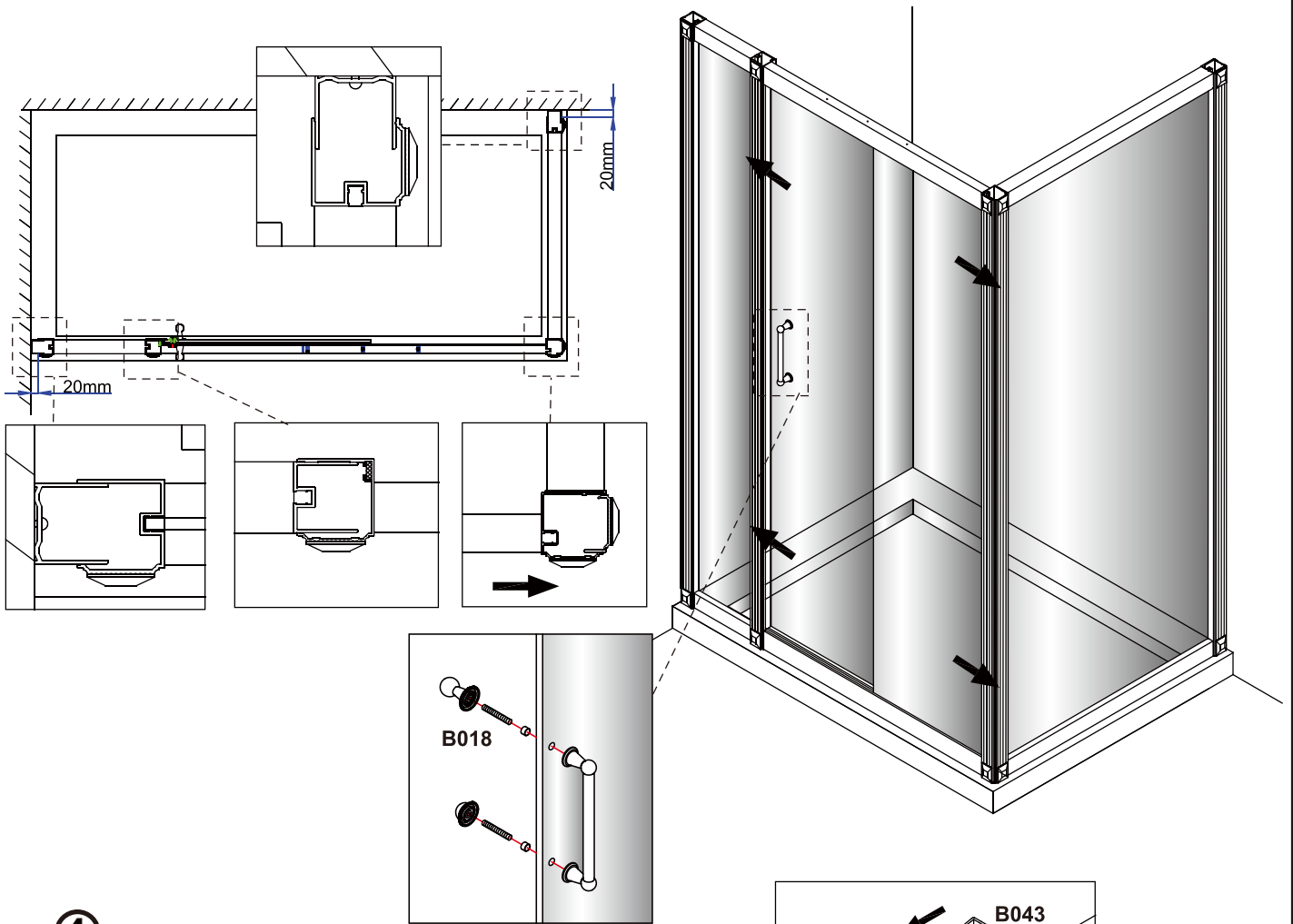


②

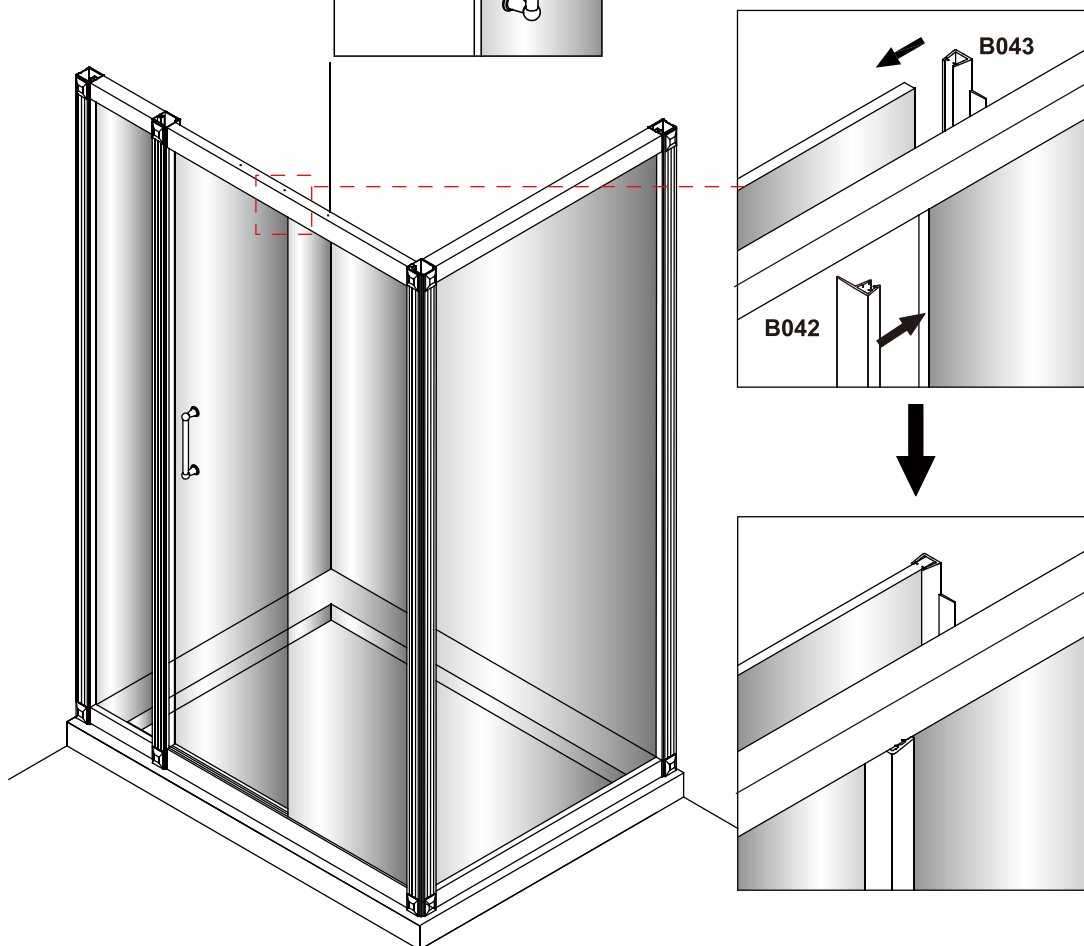


③

- Inline panel should be totally fitted within side panel and door profiles.
- Any adjustment required, can be gained from the wall profiles only.

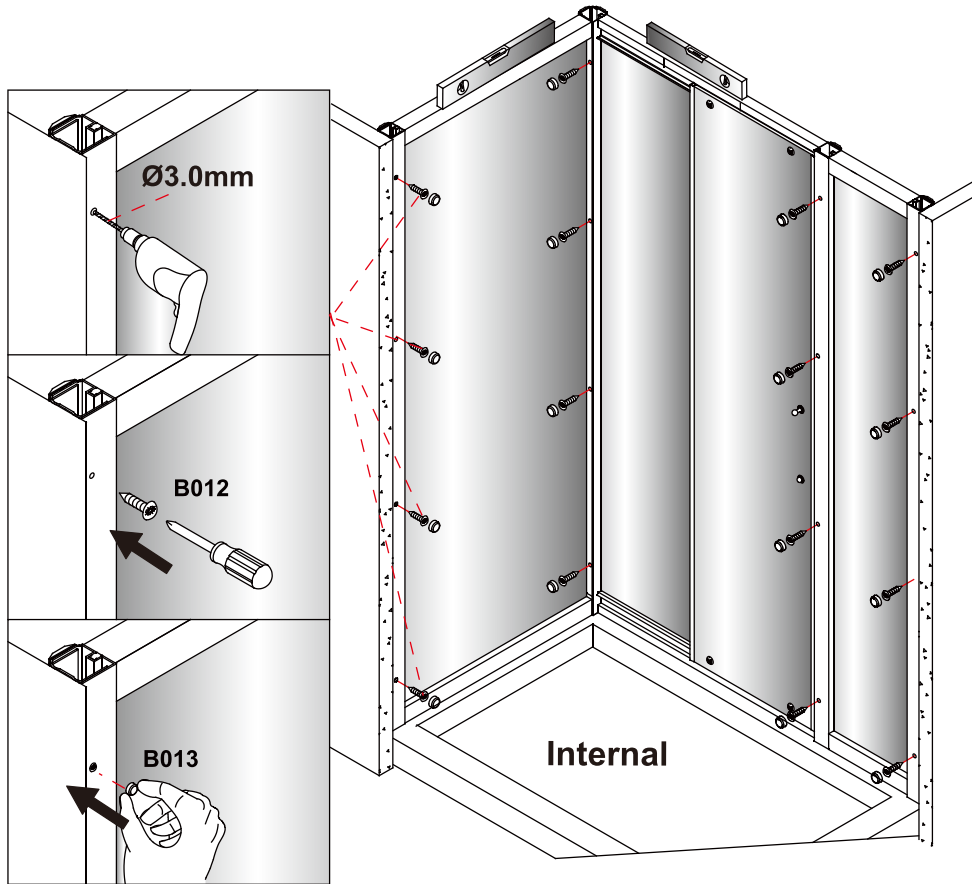


④

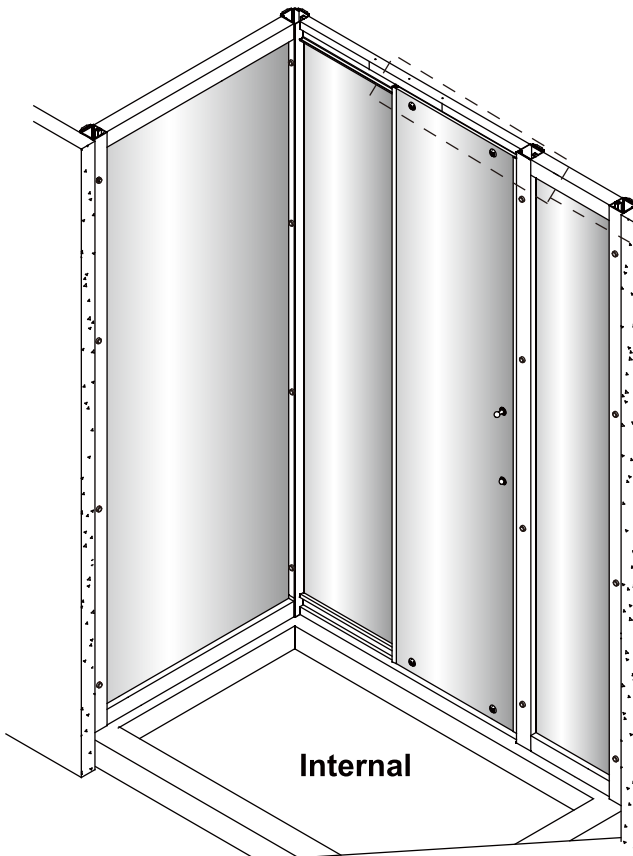


5

Once you have checked that the door opens and closes correctly fix the door to the wall channels.
From inside drill 4 holes through the door frame (in the marked positions)
Fix using screws (B012), attach on the caps (B013).

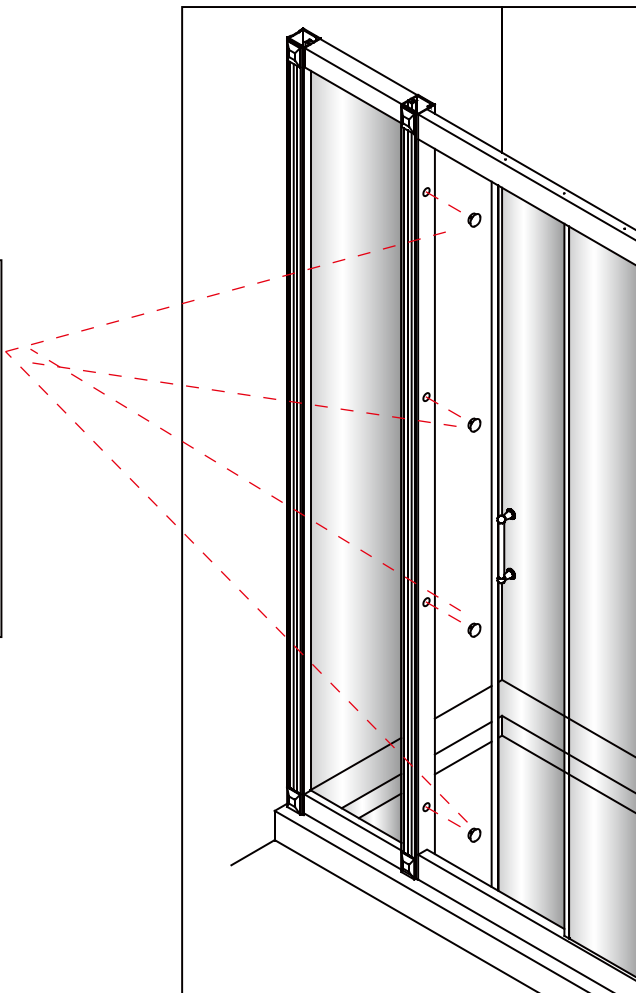
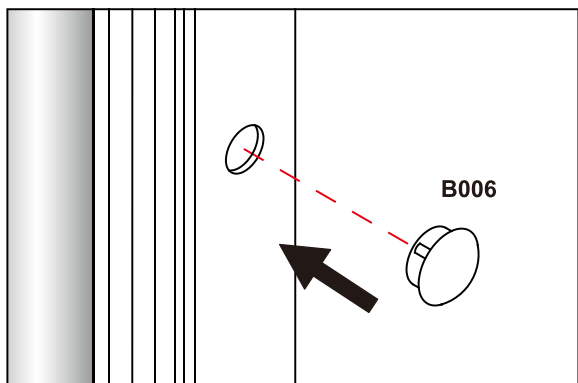


Only if adjustment is required.

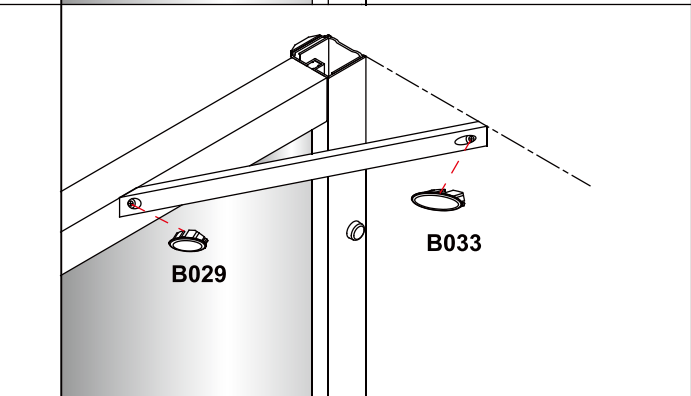
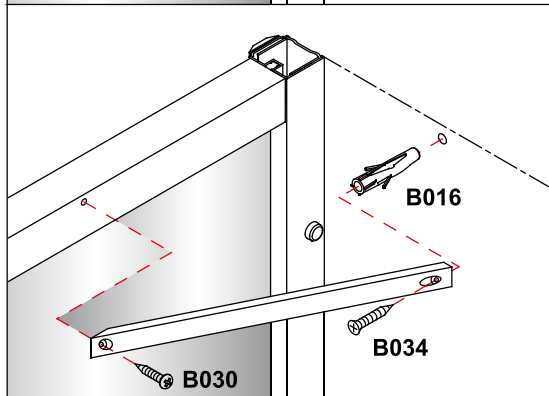
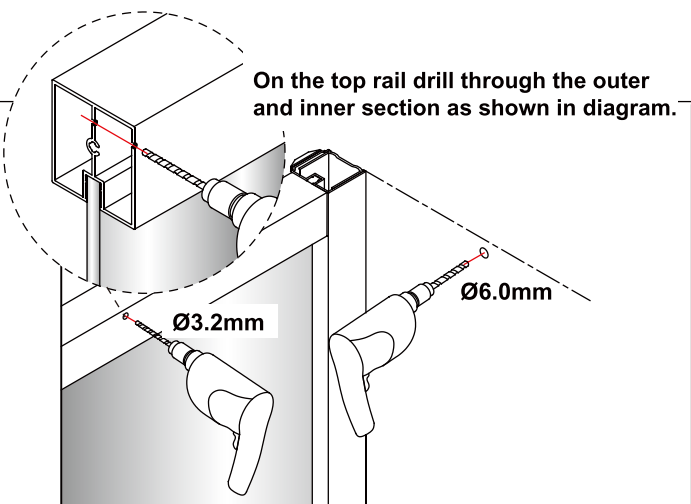
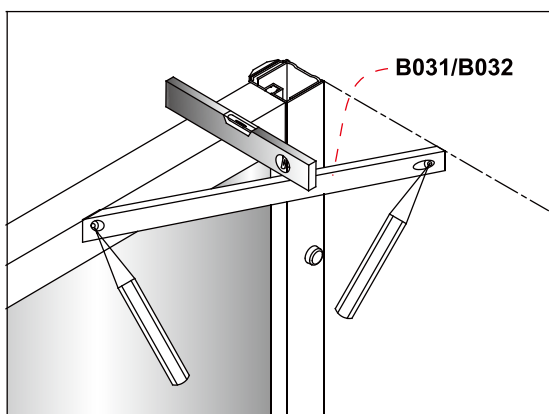


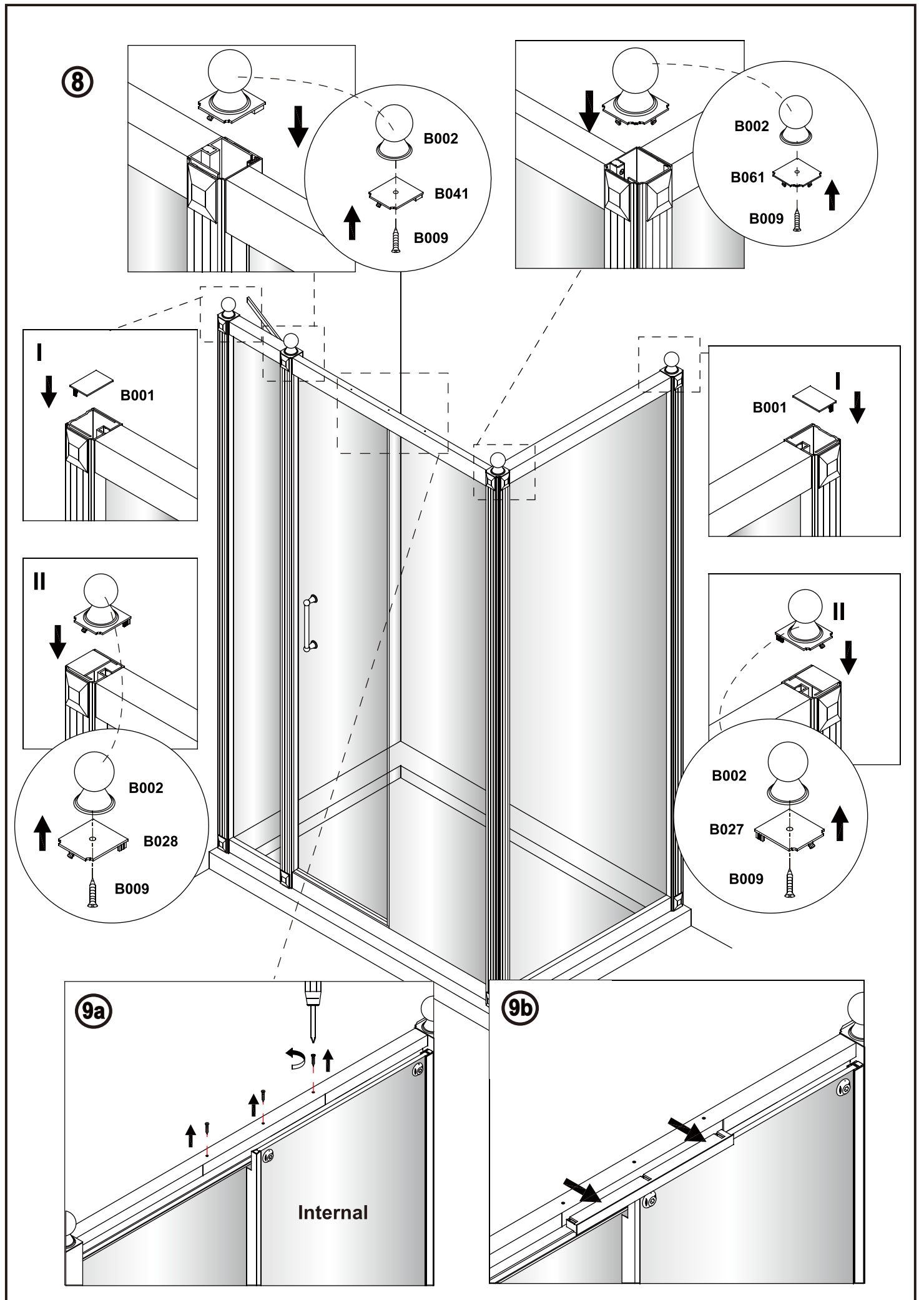
Problem	Resolution

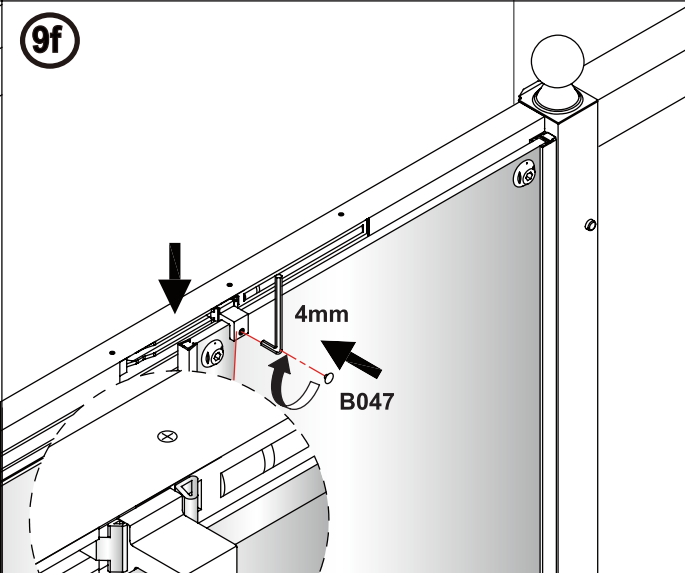
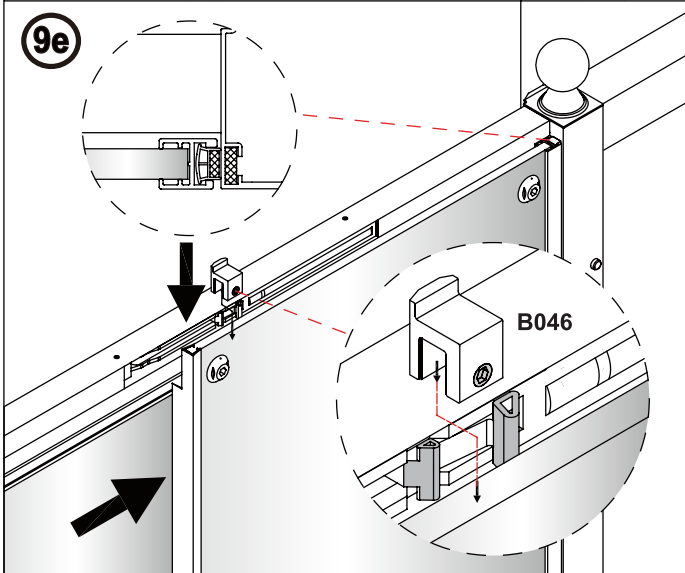
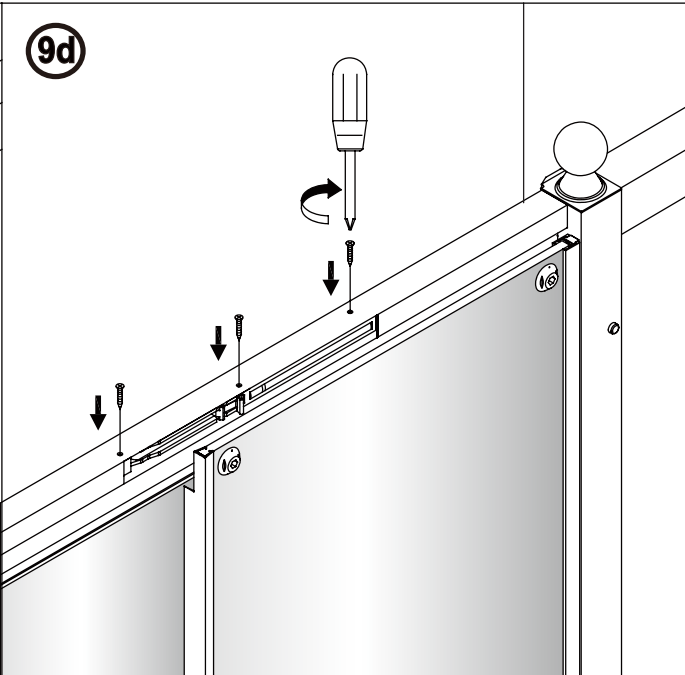
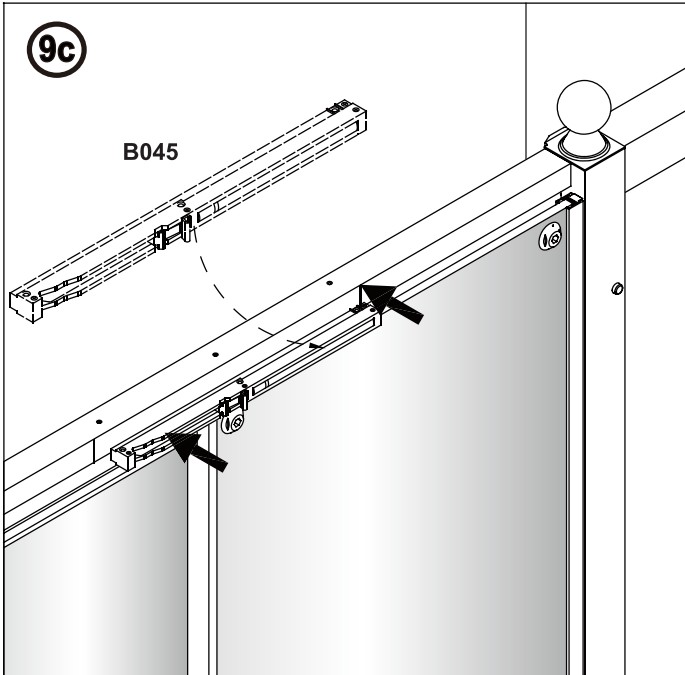
6



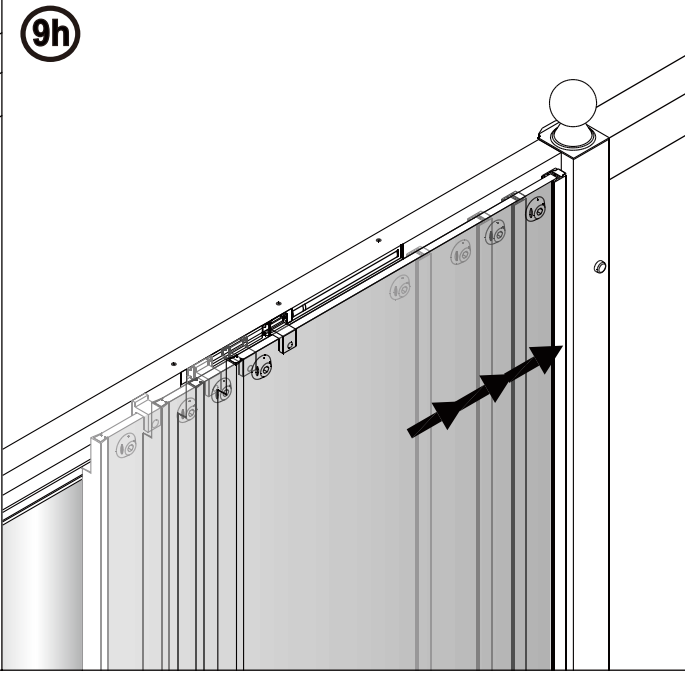
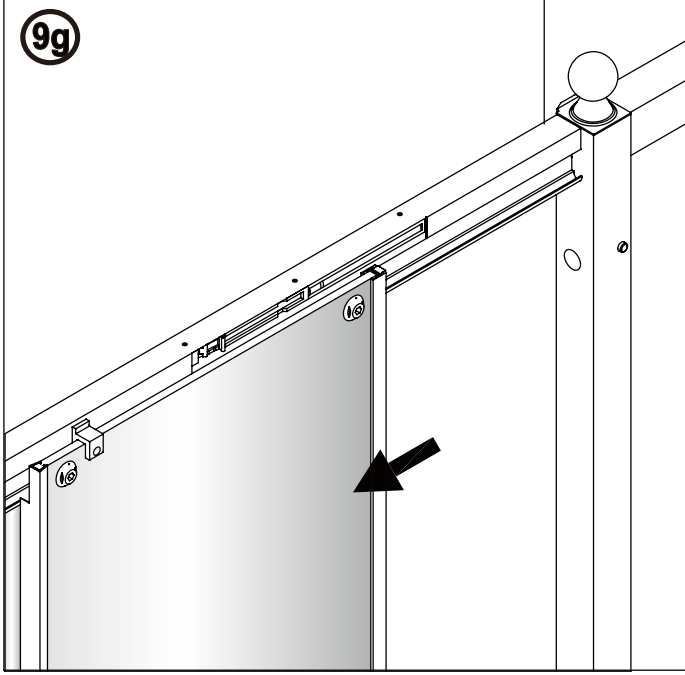
7





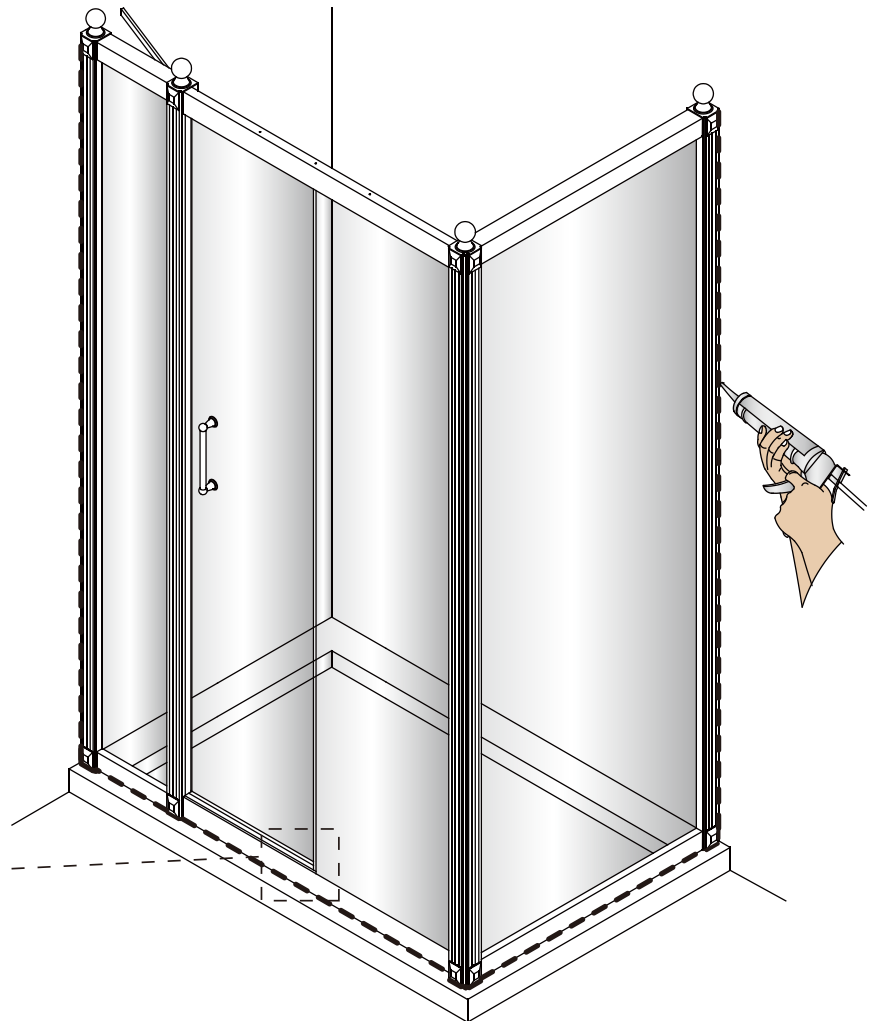
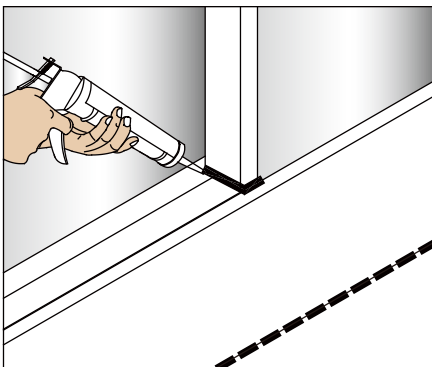
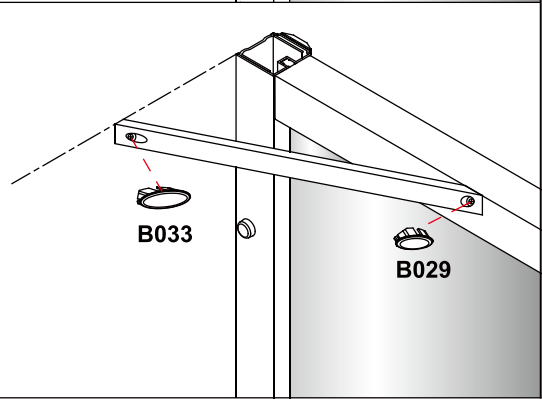
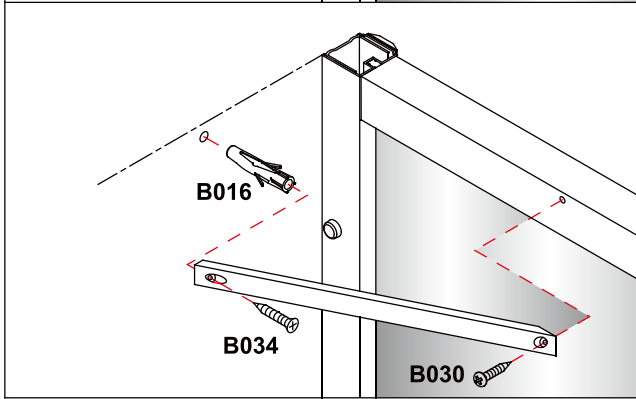
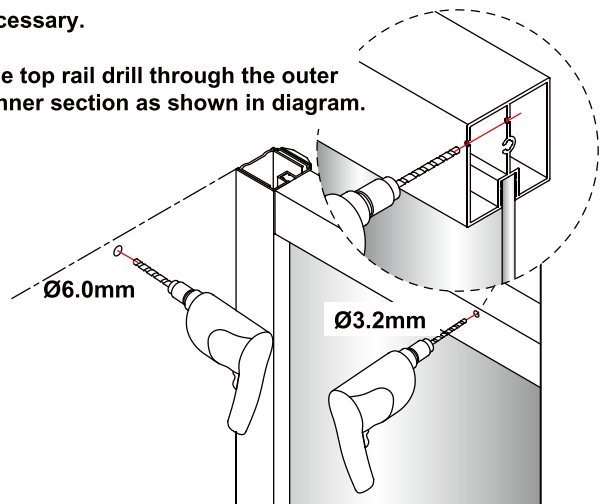
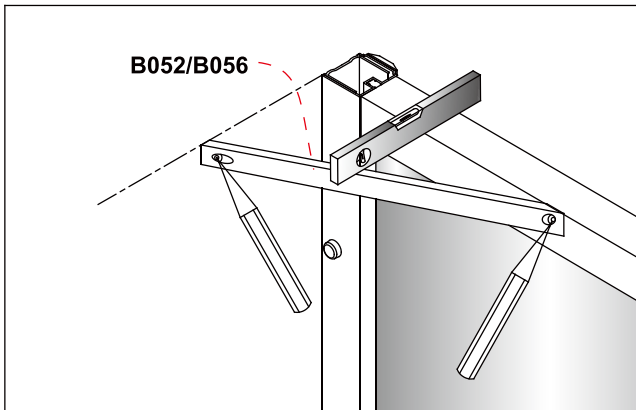


Make sure the door is closed well and there are no gaps. As indicated in the diagram between the clasps of the mechanism place the catch over the glass, and tighten to glass.



10 Install the supporting bar supplied with the side panel if necessary.

On the top rail drill through the outer and inner section as shown in diagram.



Sliding Door and Inline Panel with Side Panel Complete