

Burlington[®]
Yesterday's designs TODAY'S TECHNOLOGY

Quadrant 800 - C22

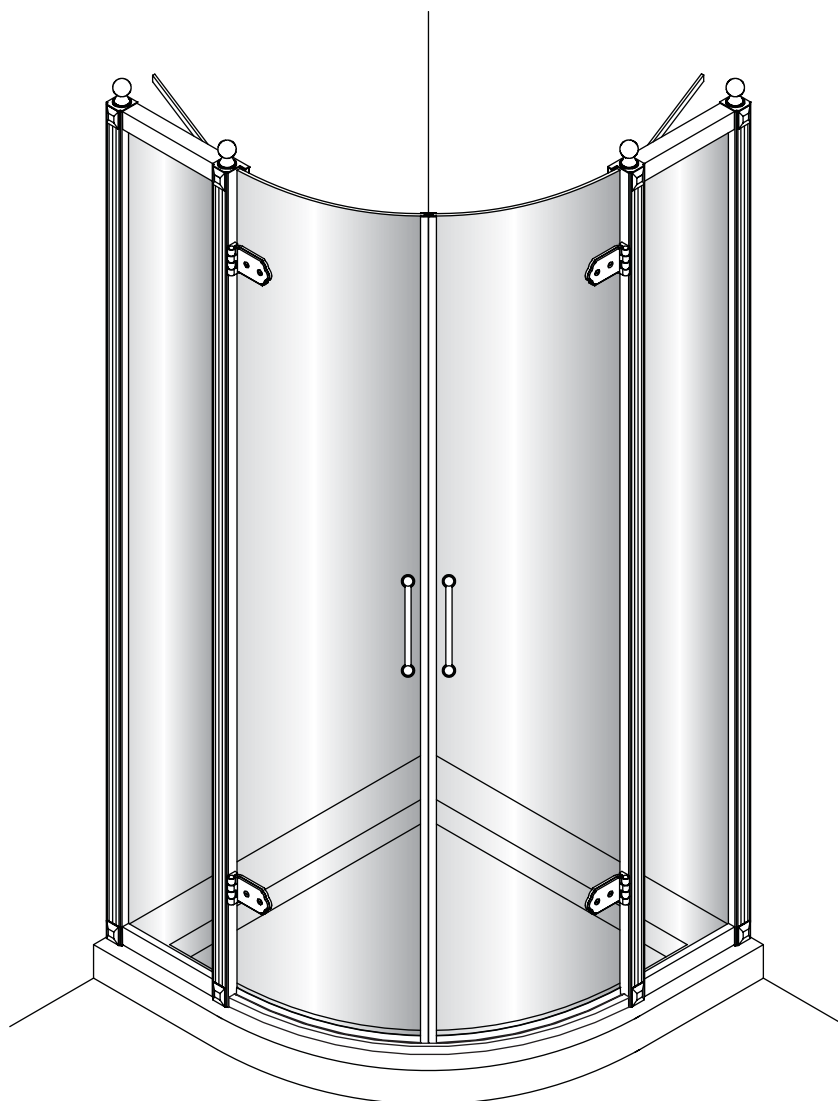
Quadrant 900 - C23

Before Installation:

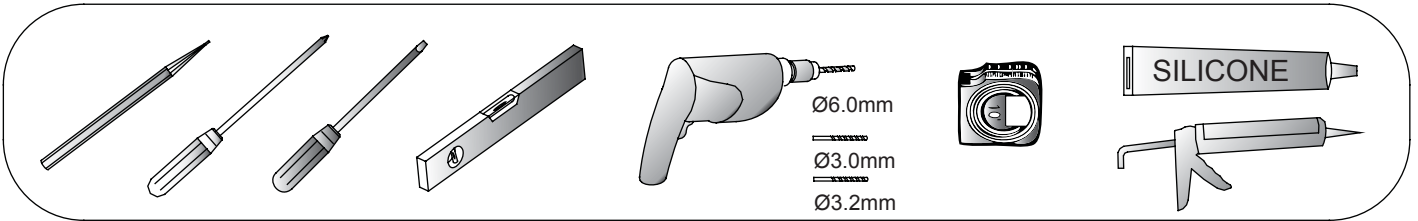
- Check the contents of the pack carefully before installation.
- The tray **MUST** be installed level and fully sealed to the tiles.
- Handle with care. Impacts can damage both the glass and the frame.
- Check for any hidden pipes or cables before drilling holes in the wall.
- The wall fixings supplied may not be suitable for your installation. You may need to source alternatives depending on the construction of the wall you are fixing to.
- Follow each step in turn.

Care and Cleaning:

- Do not use solvents or abrasive material or chemicals to clean the enclosure.
- Only clean using soapy water and a soft cloth, rinse thoroughly afterwards.

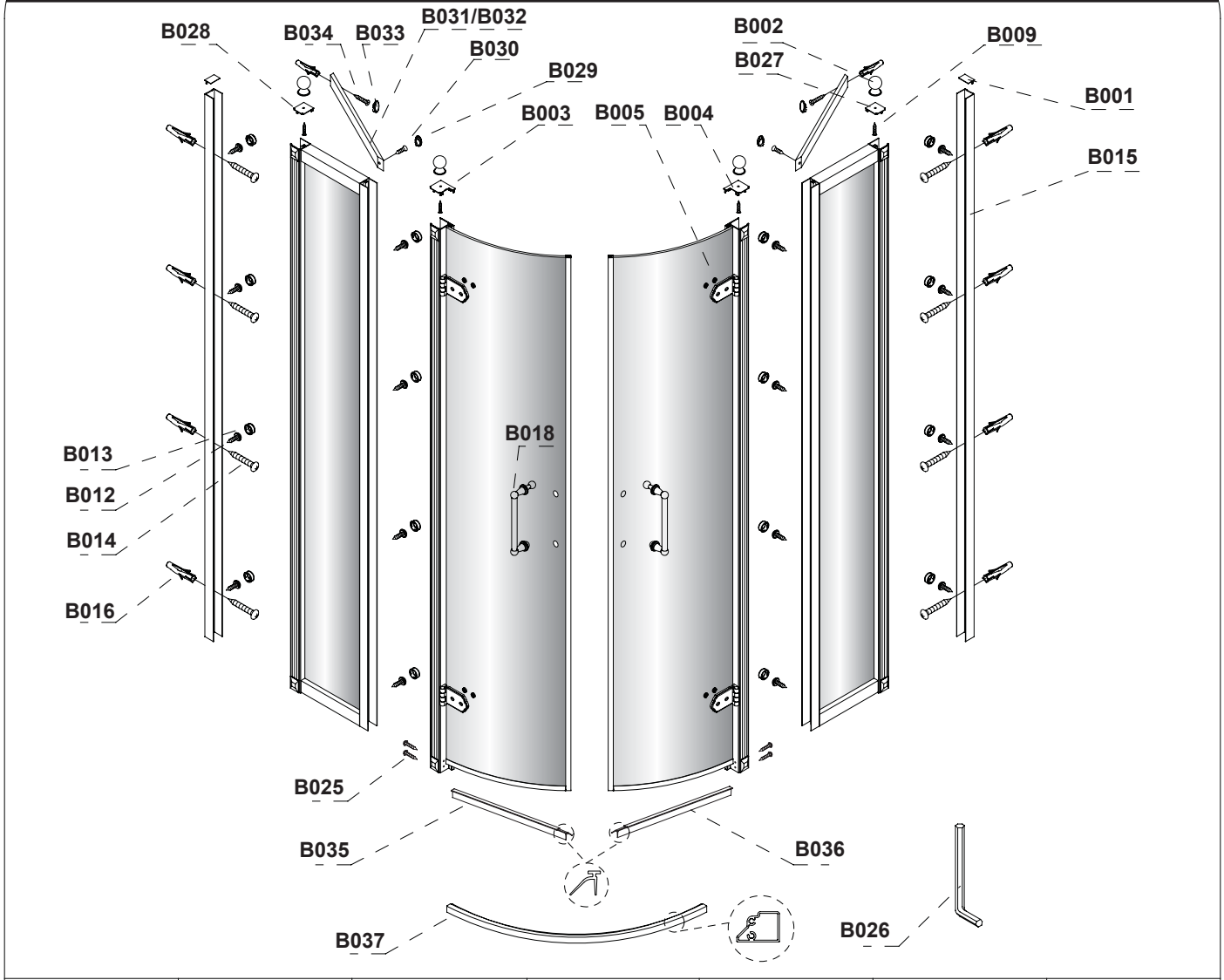


Tools required:



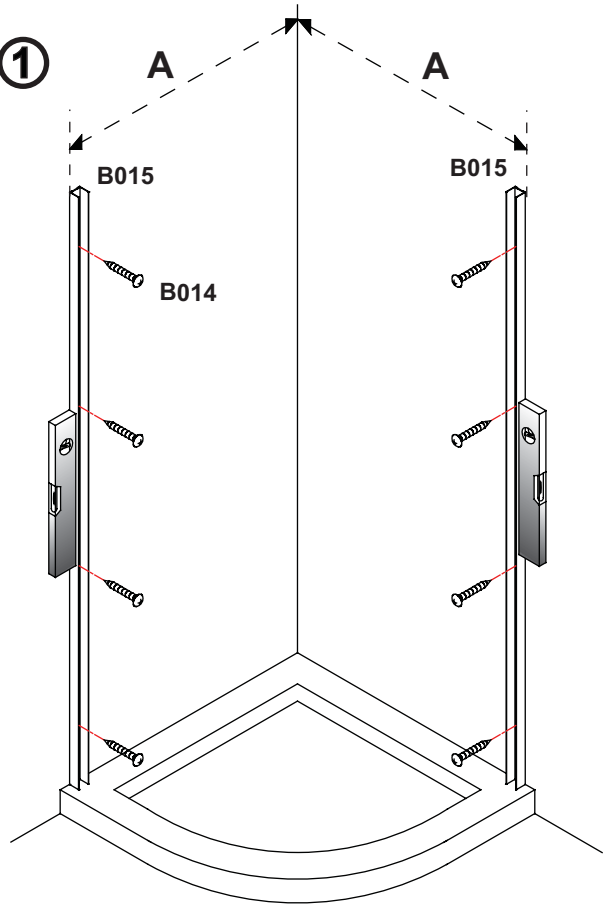
Parts supplied:

Quadrant Door

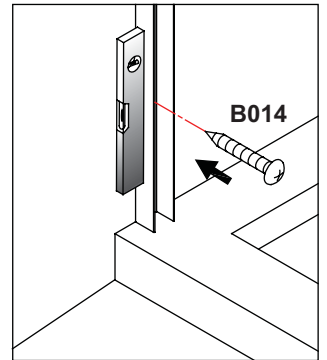
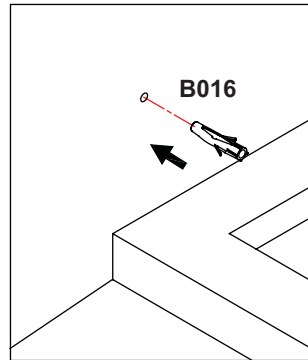
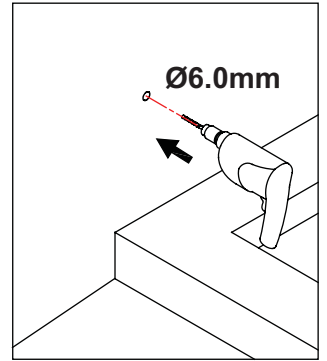
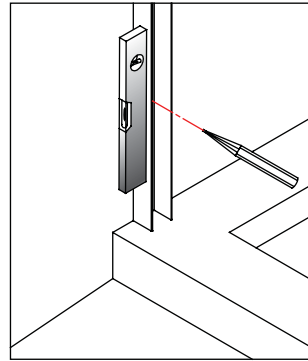


B015 2x	B001 2x	B009 4x ST3.5* 16mm	B027 1x	B028 1x	B002 4x	B003 1x
B004 1x	B005 8x	B029 2x	B030 2x ST4* 25mm	B031/B032 2x - B031 is for 800 Quadrant - B032 is for 900 Quadrant	B033 2x	
B034 2x ST4* 35mm	B012 16x ST3.5* 10mm	B013 16x	B014 8x ST4* 50mm	B016 10x	B018 2x	B025 4x ST4* 30mm
B035 1x	B036 1x	B037 1x	 1x 4mm			B026 1x 4mm

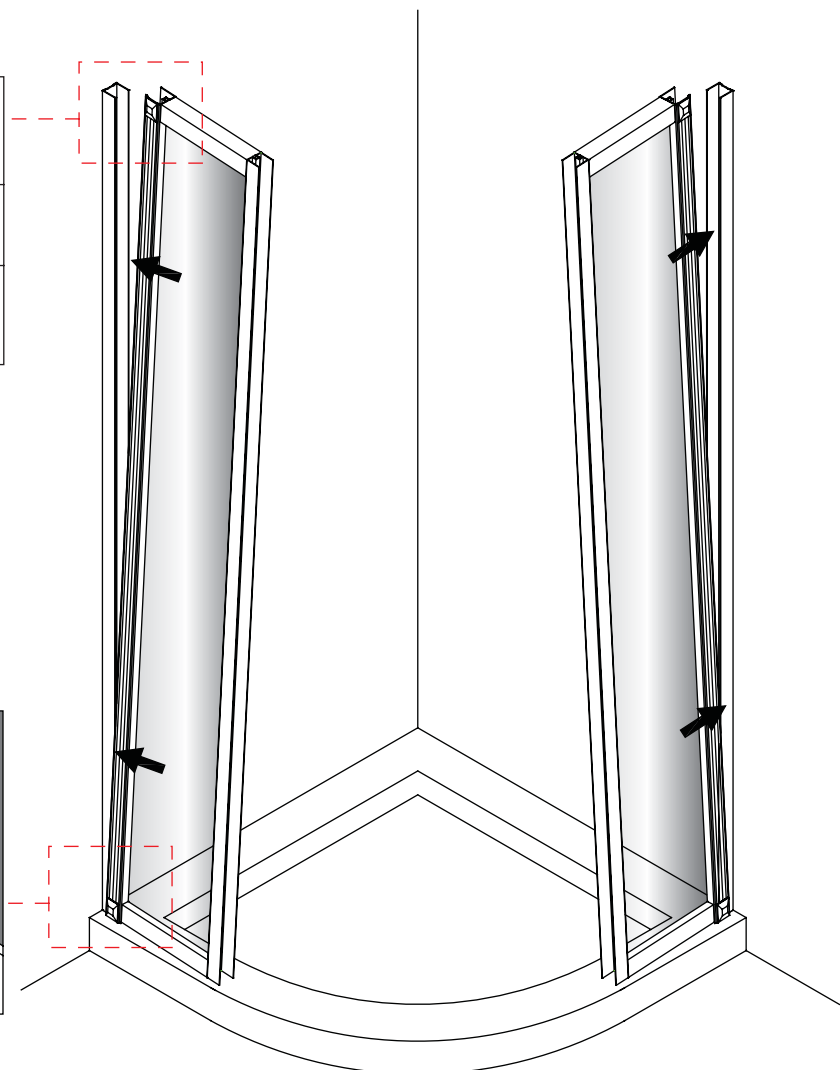
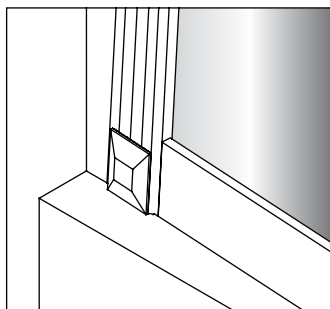
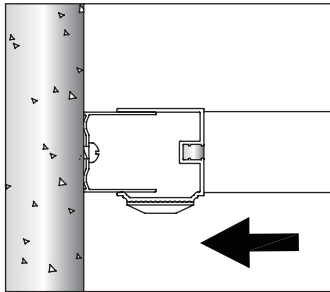
①



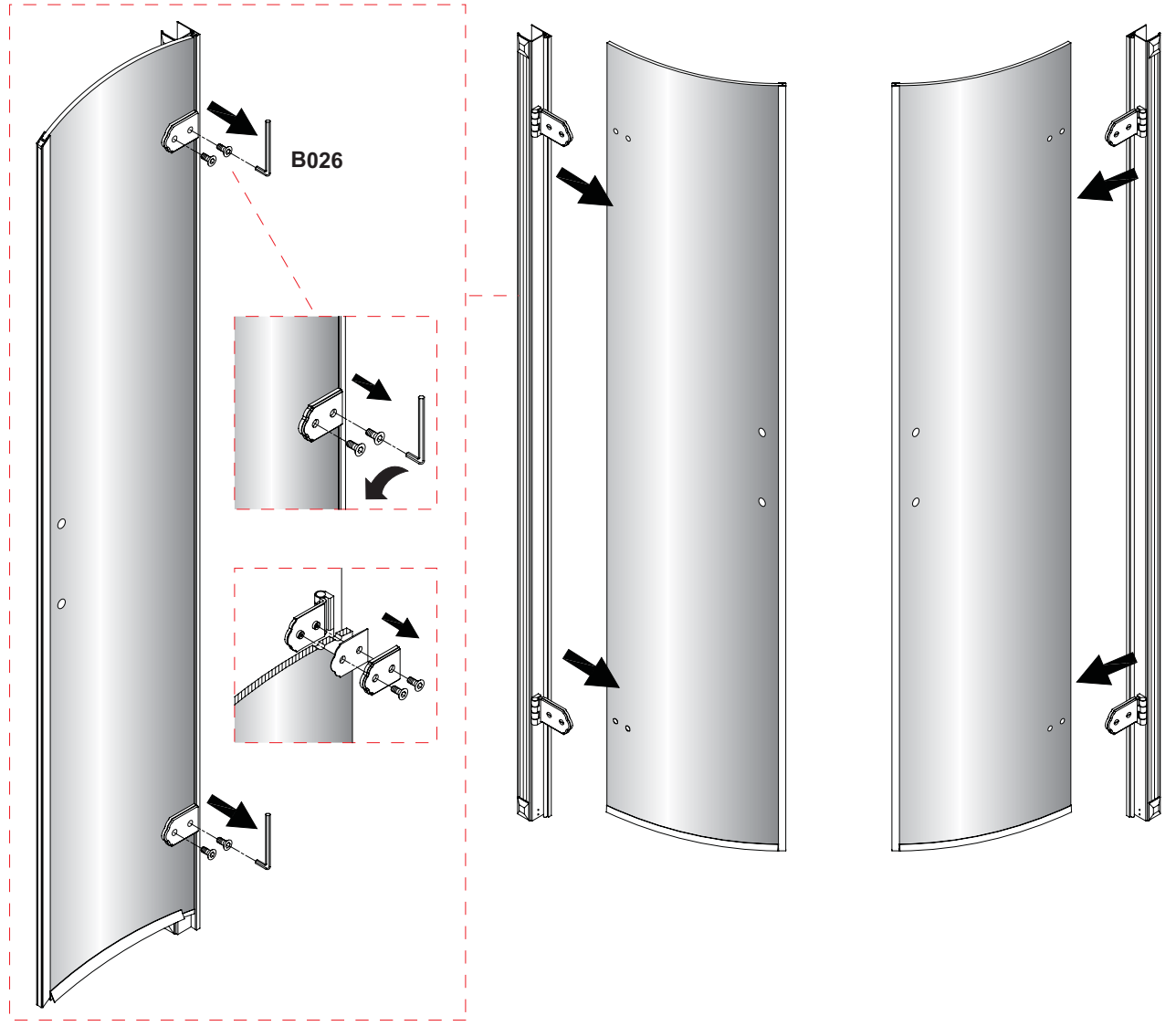
Item	A (mm)
800 x 800 Quadrant door	765 ~ 785
900 x 900 Quadrant door	865 ~ 885



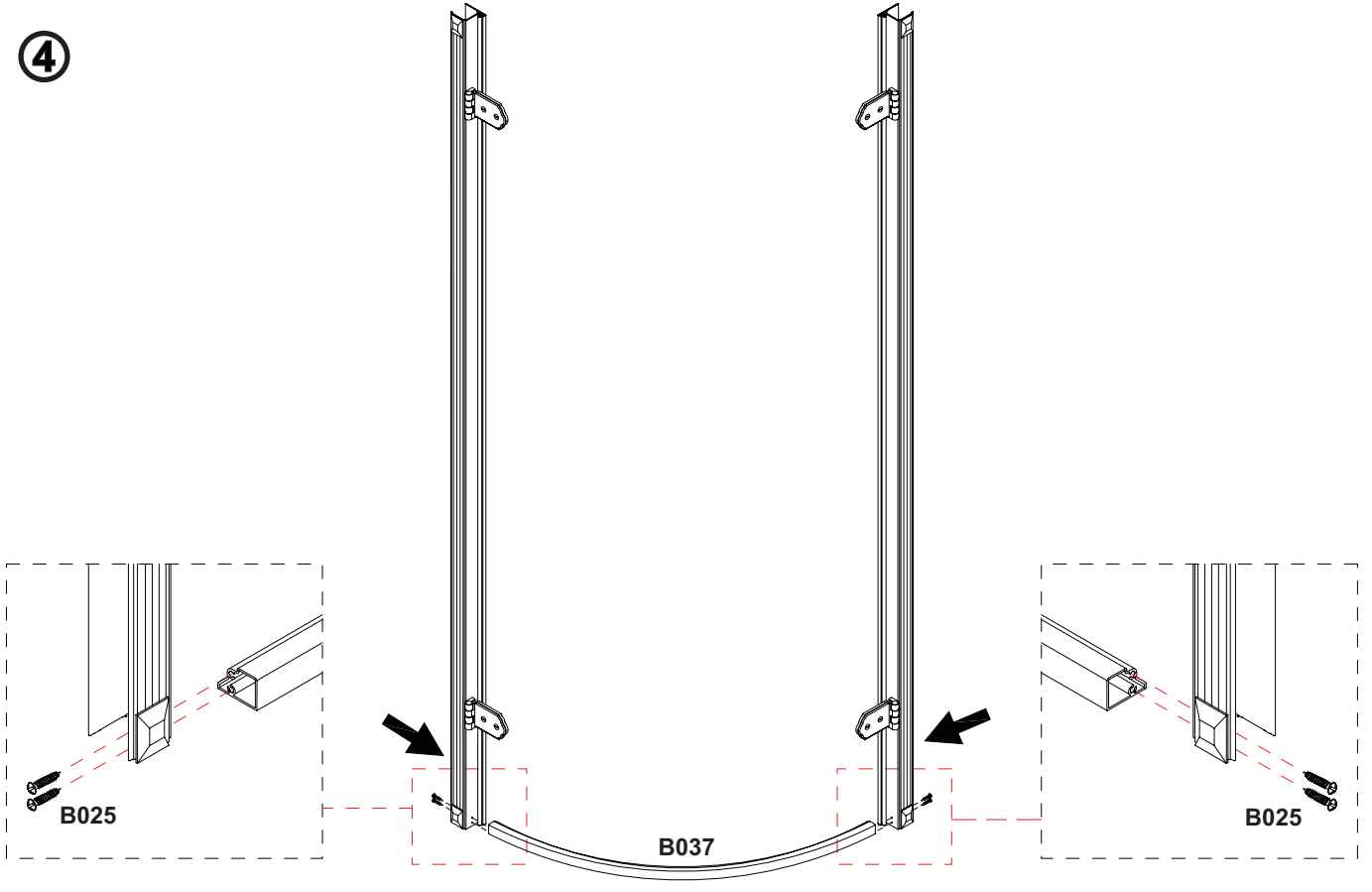
②



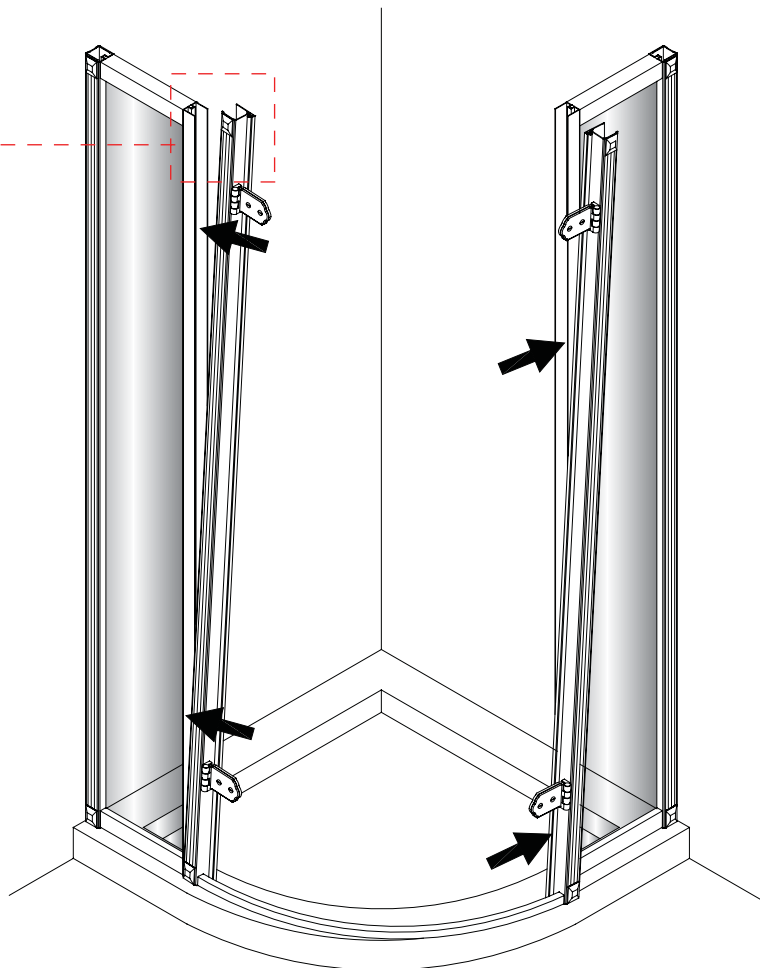
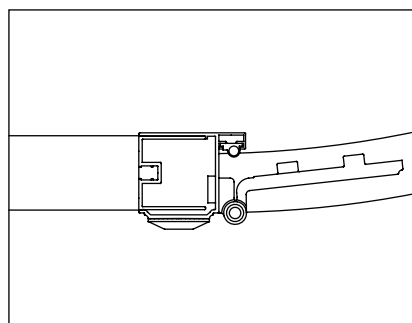
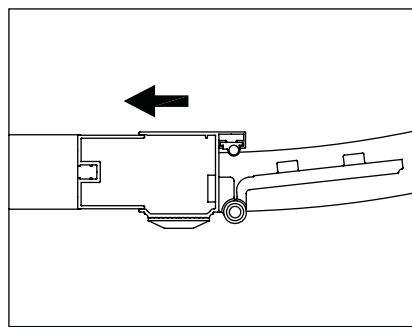
3



4



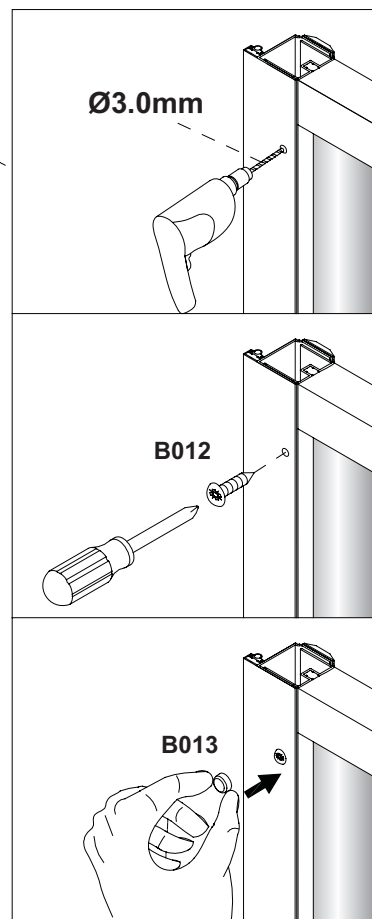
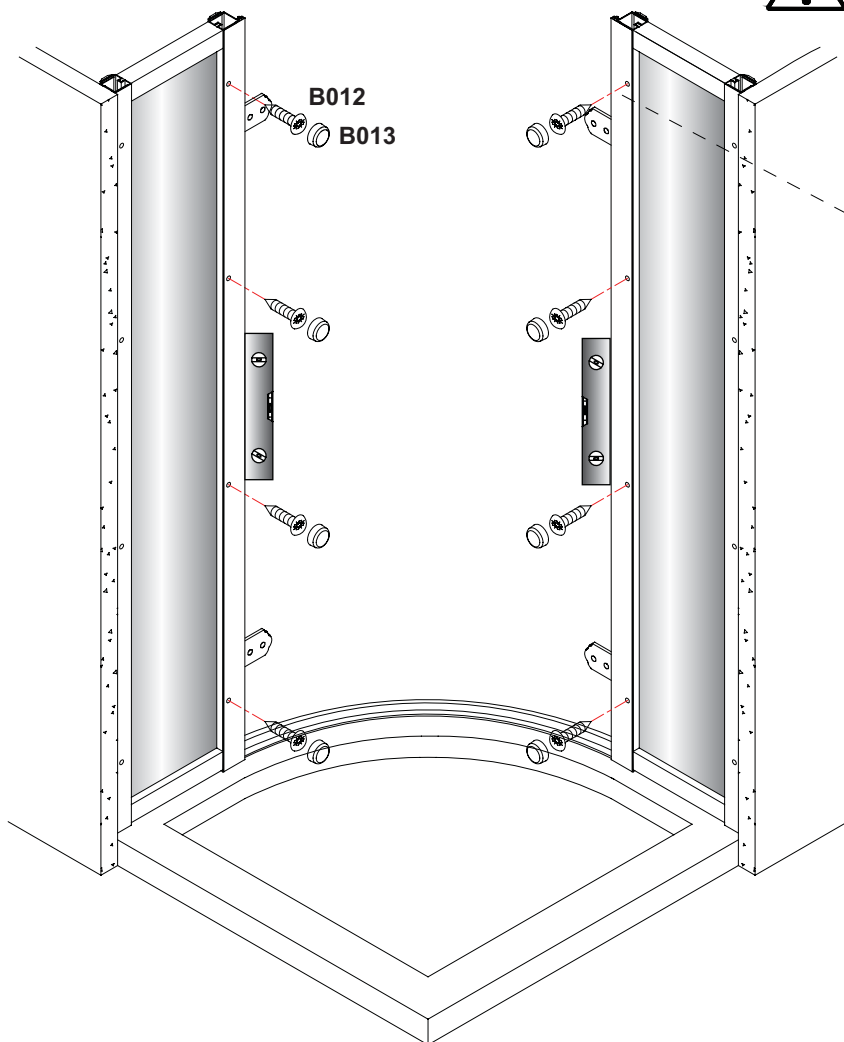
5



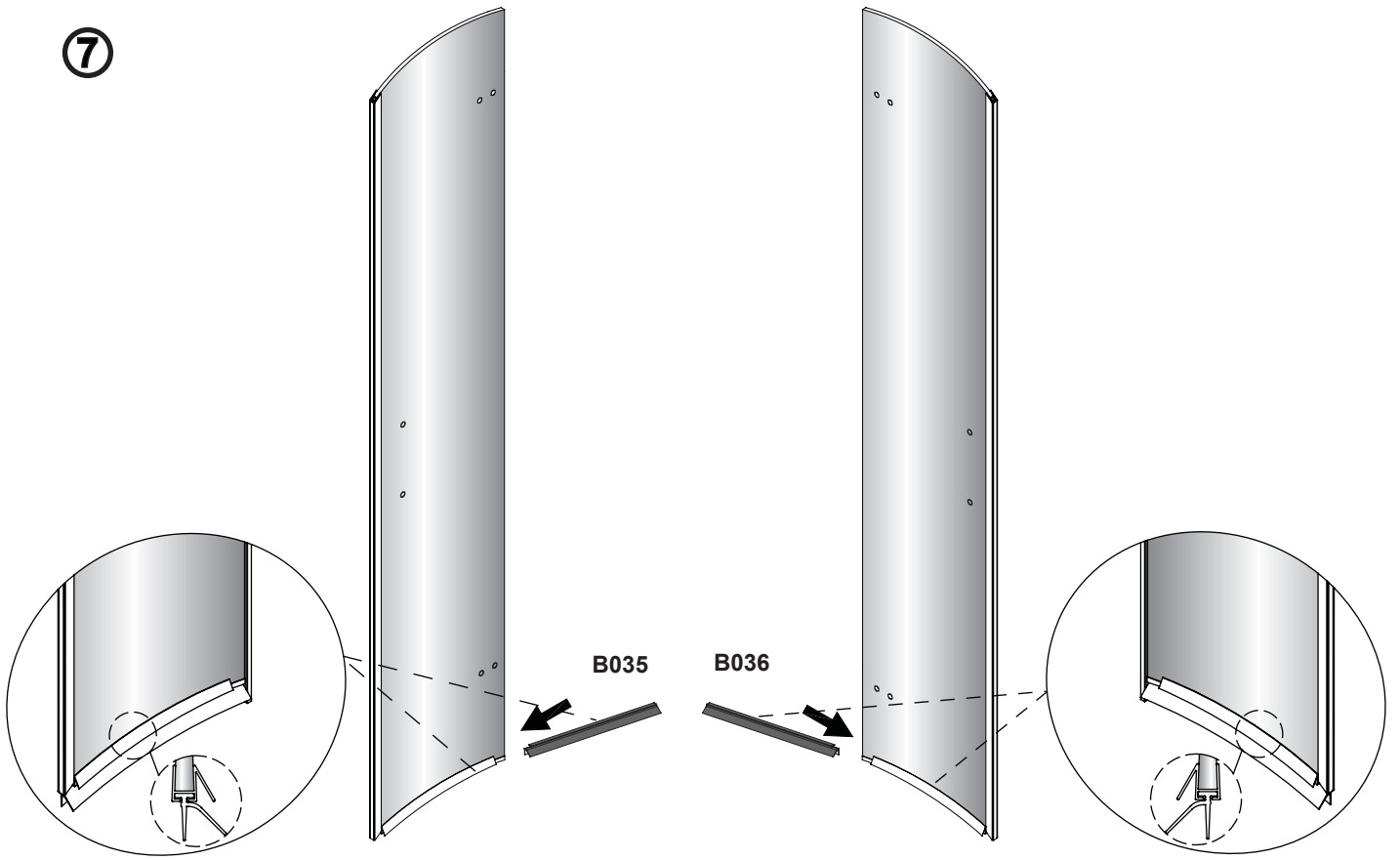
6



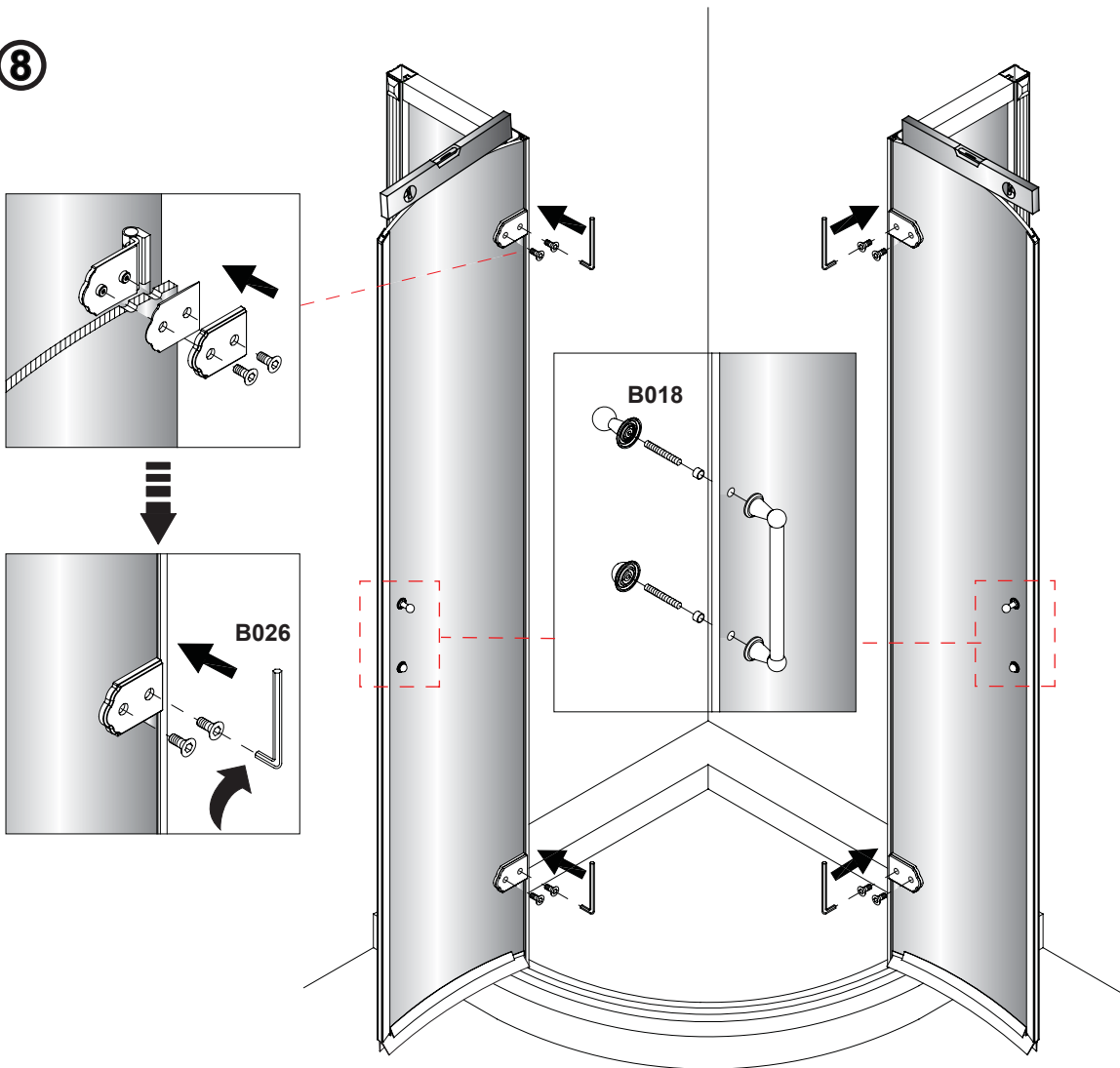
Fully push the door frame into the inline panels. Then check for vertical. From inside drill 4 holes through the door frame (in the marked positions). Fix using screws (B012), attach on the caps (B013). Any adjustment should be made from the wall profiles.



7

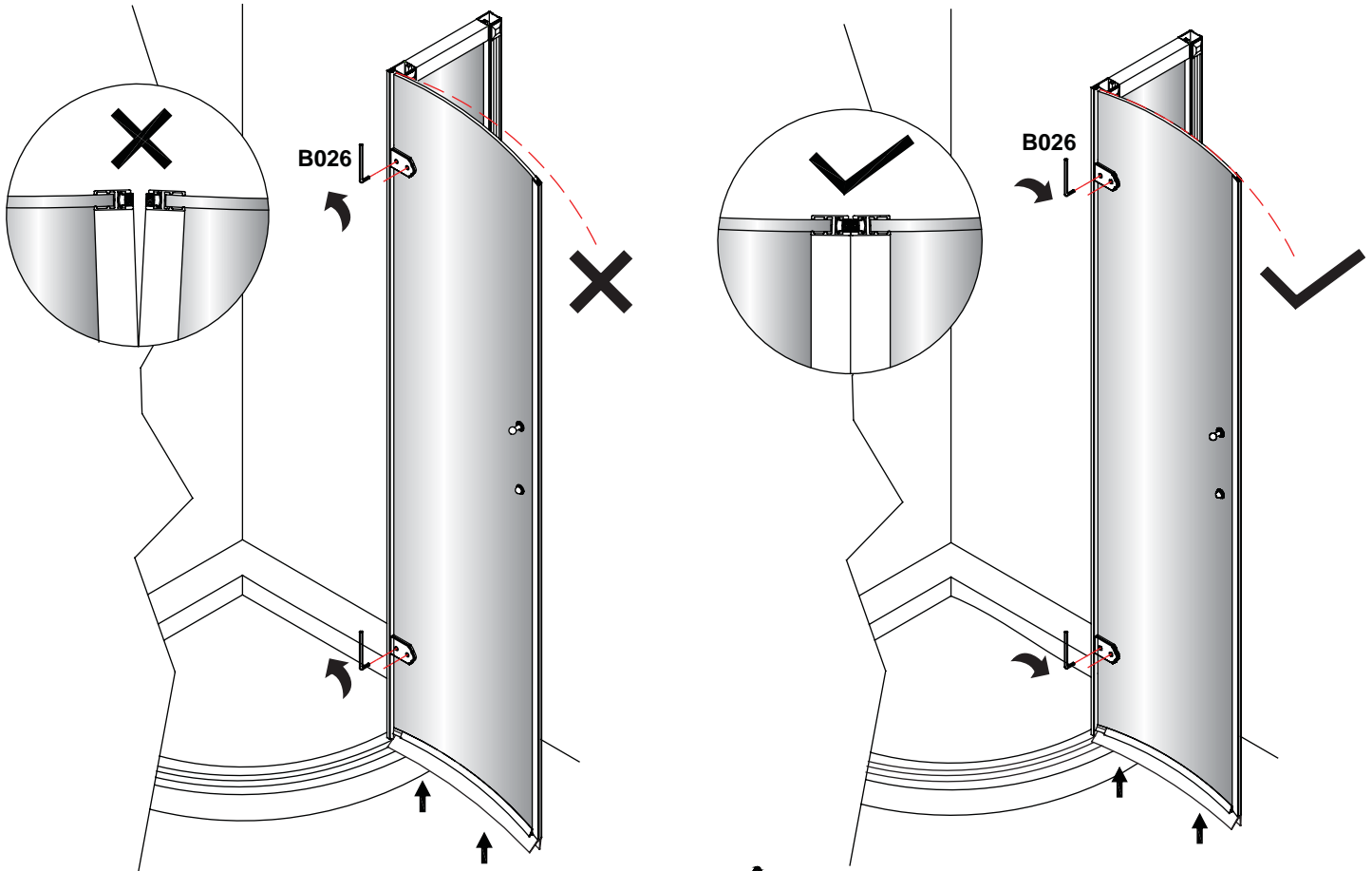


8





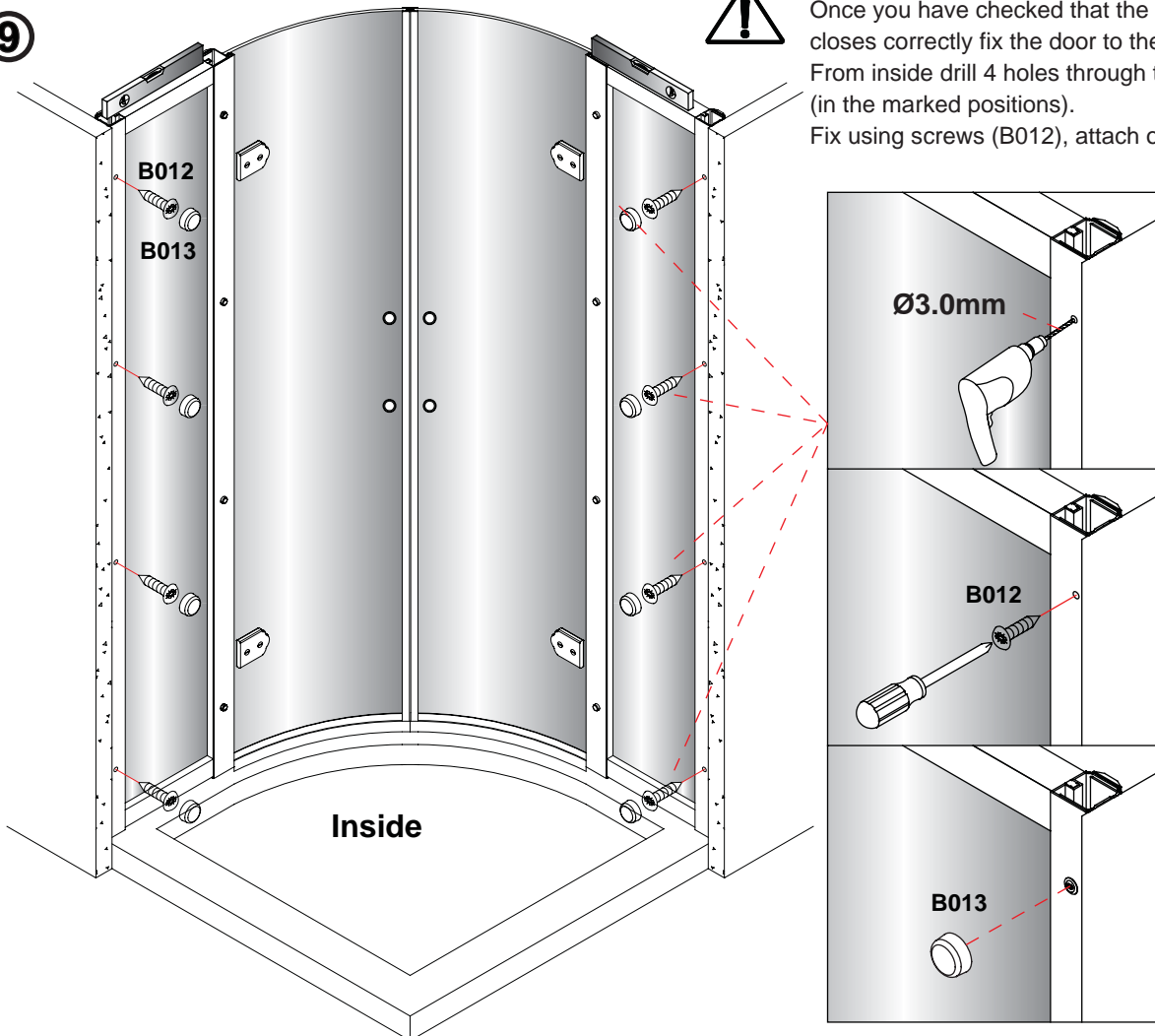
Only if adjustment is required.



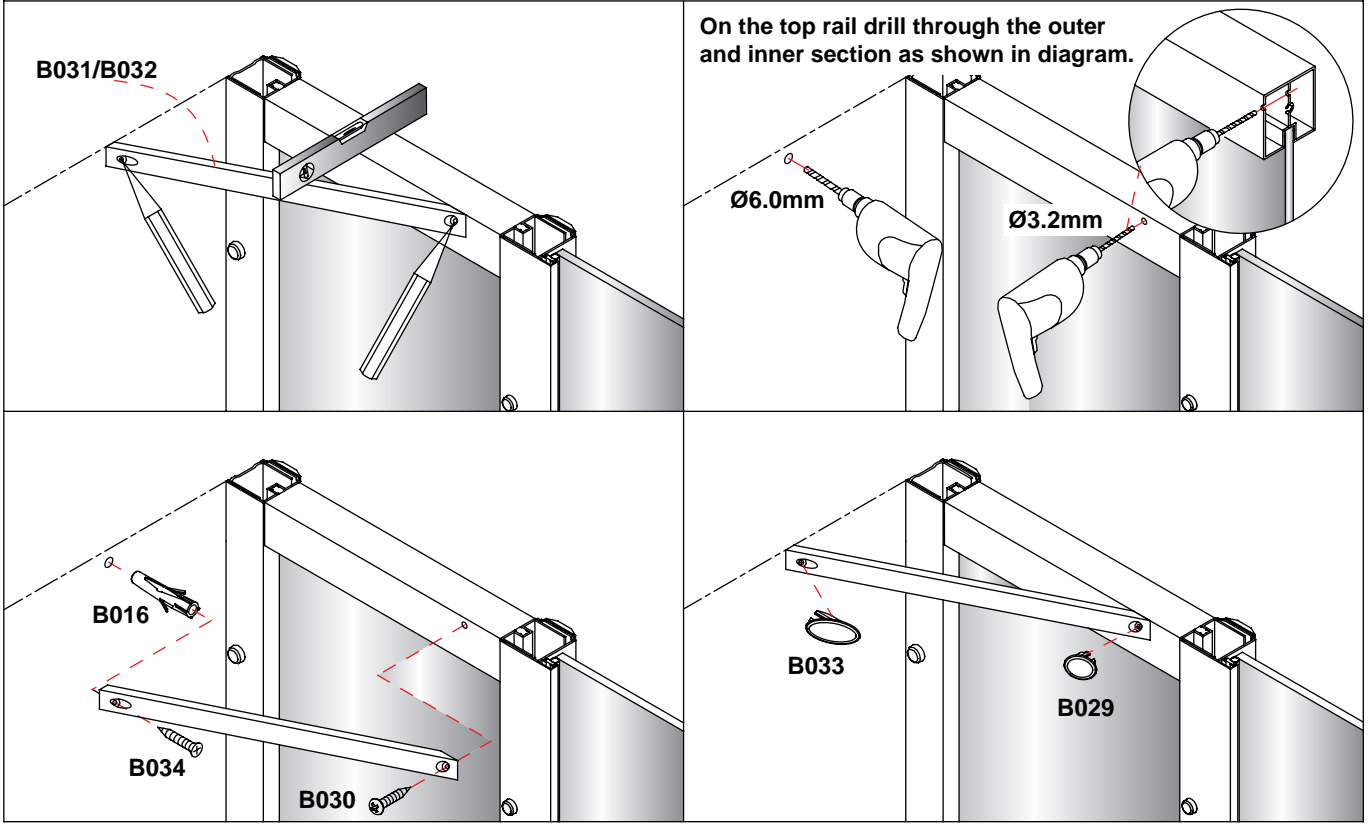
9



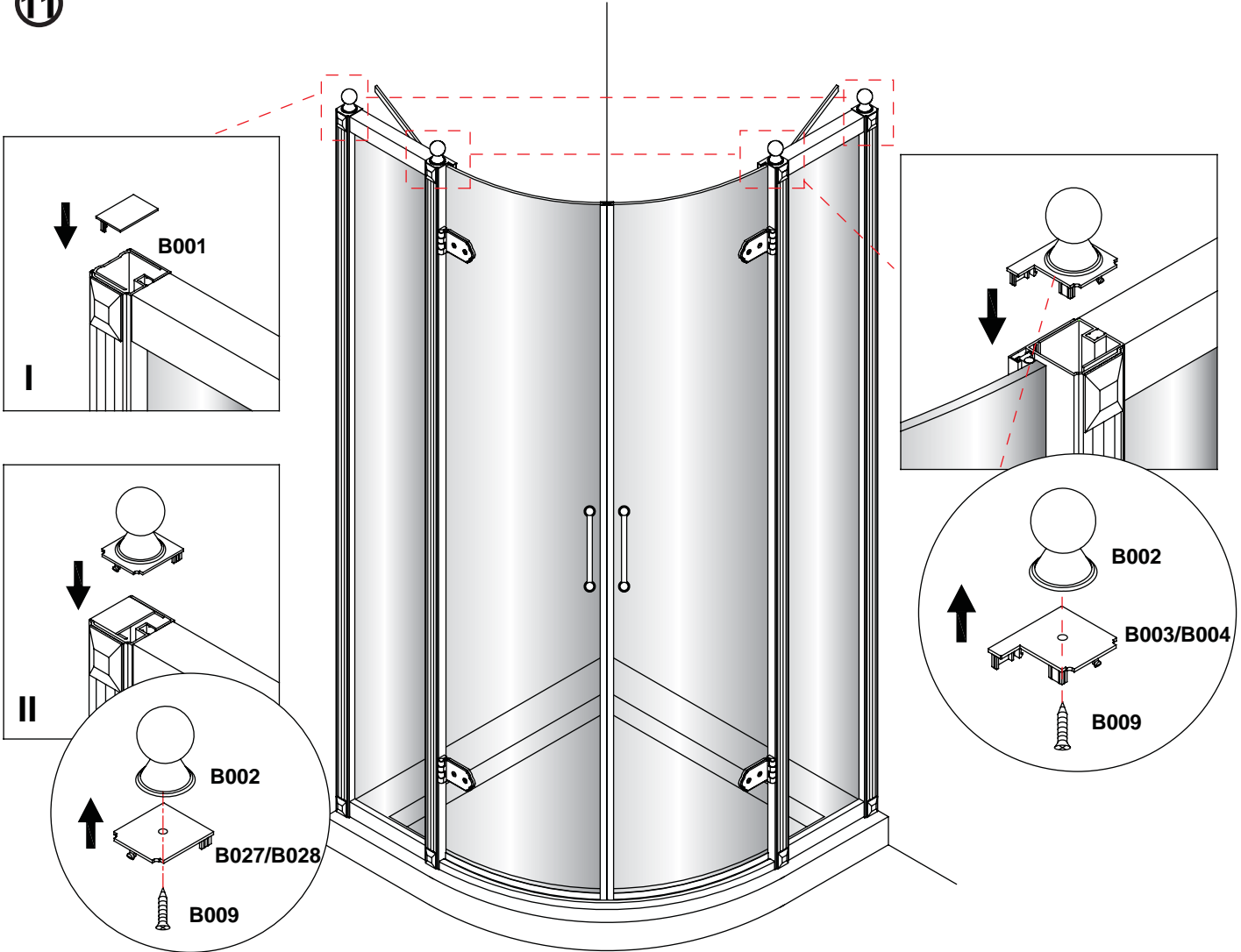
Once you have checked that the door opens and closes correctly fix the door to the wall channels. From inside drill 4 holes through the door frame (in the marked positions). Fix using screws (B012), attach on the caps (B013).



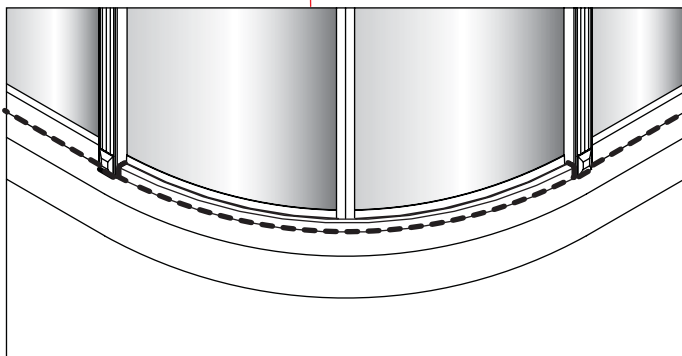
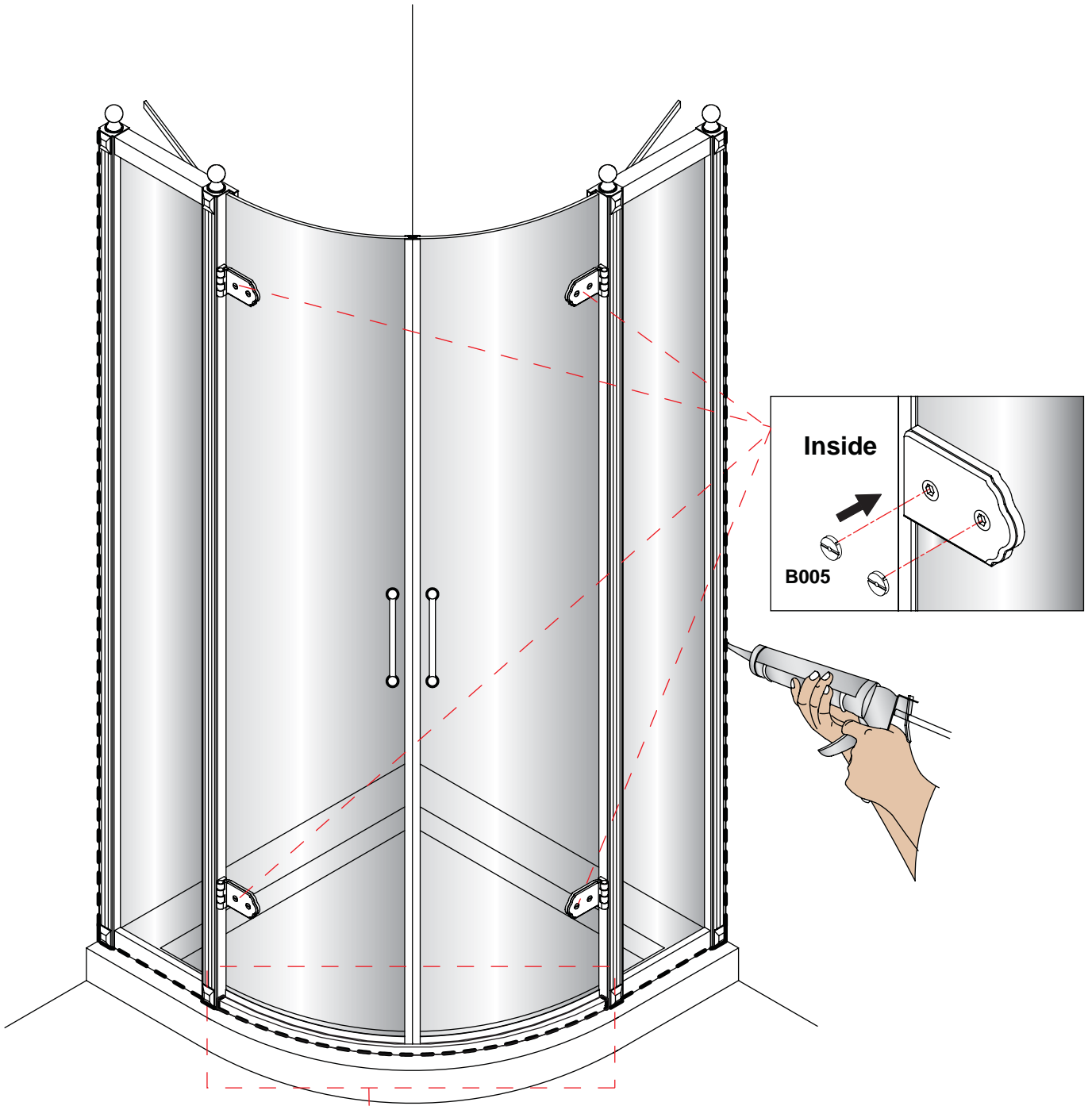
10



11



12

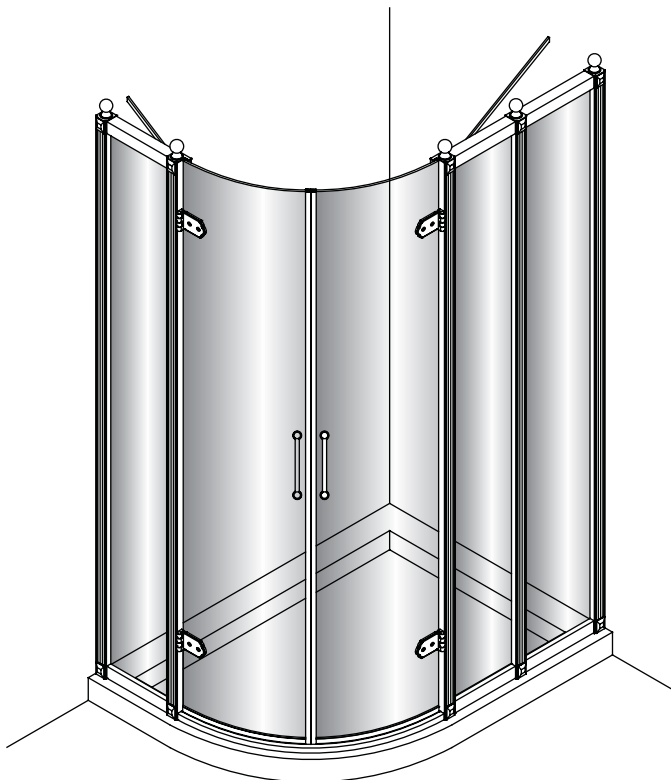


Before Installation:

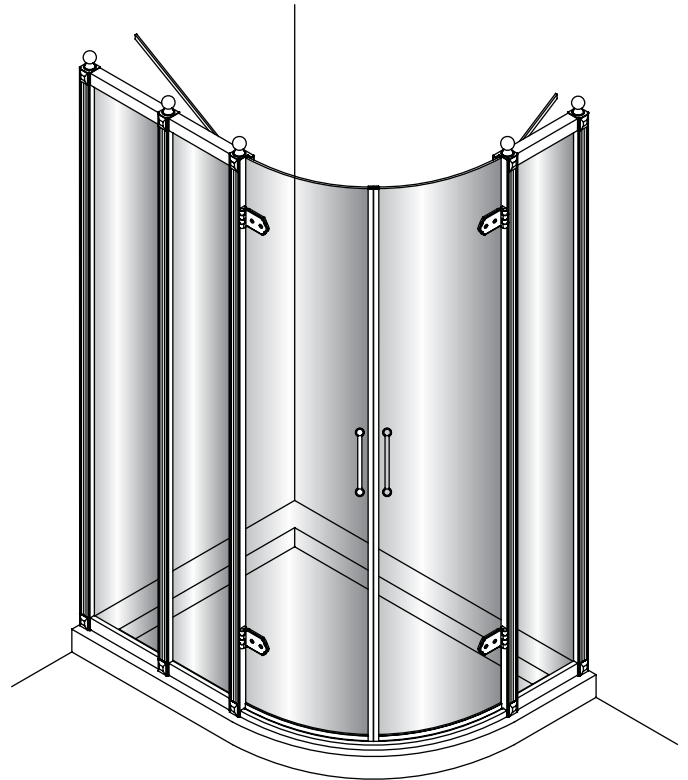
- PLEASE USE THESE INSTRUCTIONS FOR QUADRANT DOOR AND INLINE PANEL INSTALLATION.
- Check the contents of the pack carefully before installation.
- The tray **MUST** be installed level and fully sealed to the tiles.
- Handle with care. Impacts can damage both the glass and the frame.
- Check for any hidden pipes or cables before drilling holes in the wall.
- The wall fixings supplied may not be suitable for your installation. You may need to source alternatives depending on the construction of the wall you are fixing to.
- Follow each step in turn.

Care and Cleaning:

- Do not use solvents or abrasive material or chemicals to clean the enclosure.
- Only clean using soapy water and a soft cloth, rinse thoroughly afterwards.

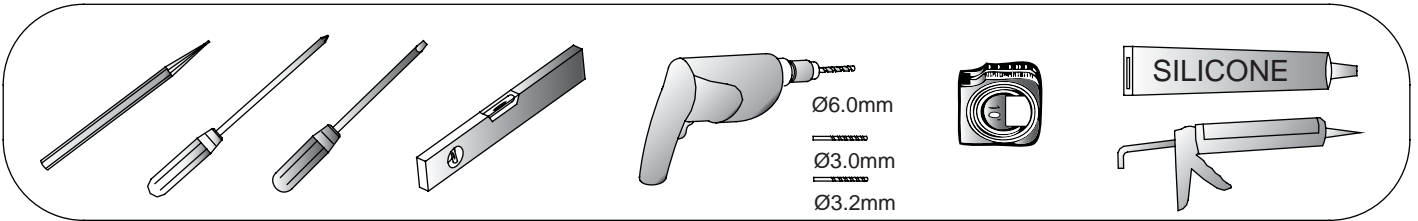


Left hand offset



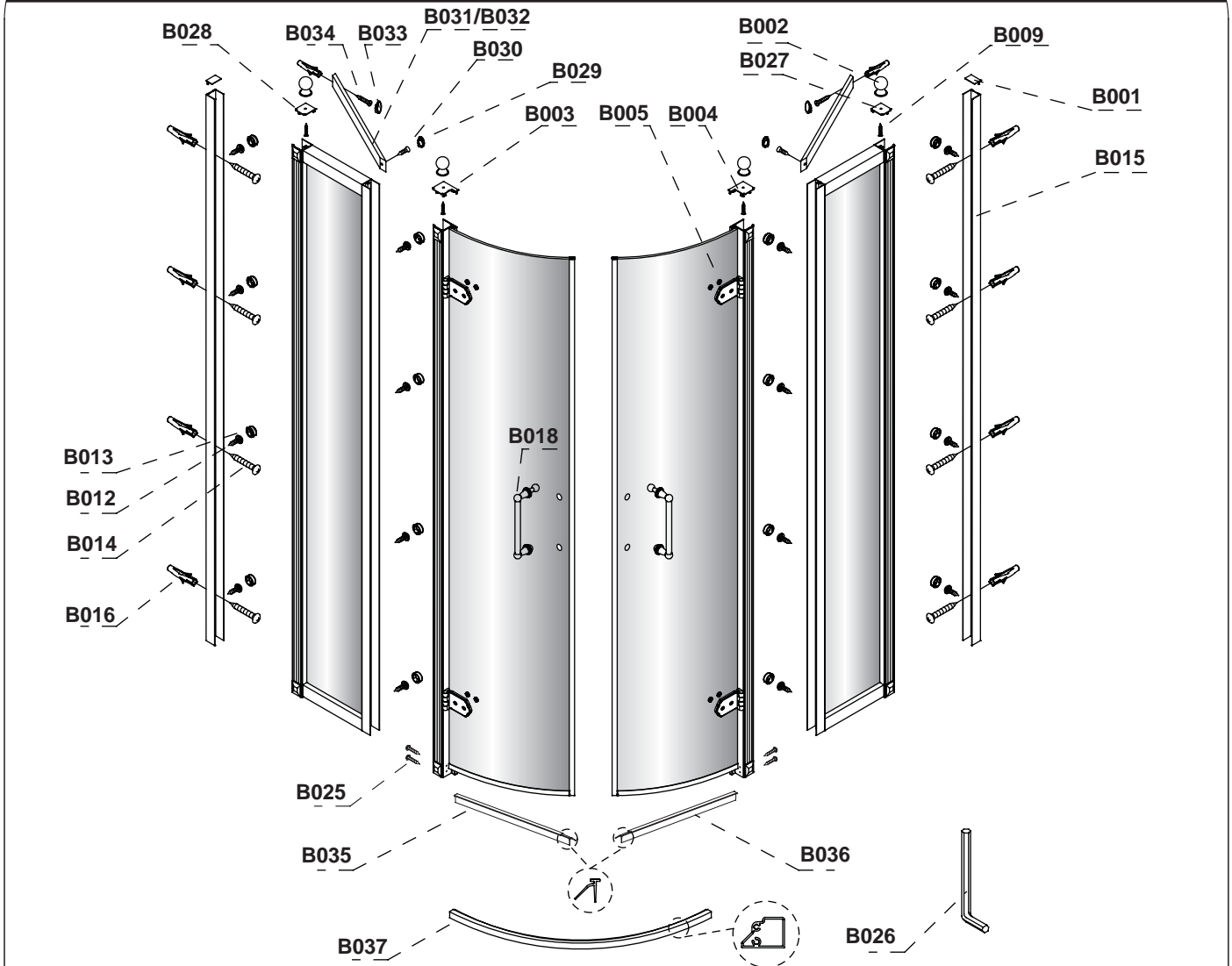
Right hand offset

Tools required:



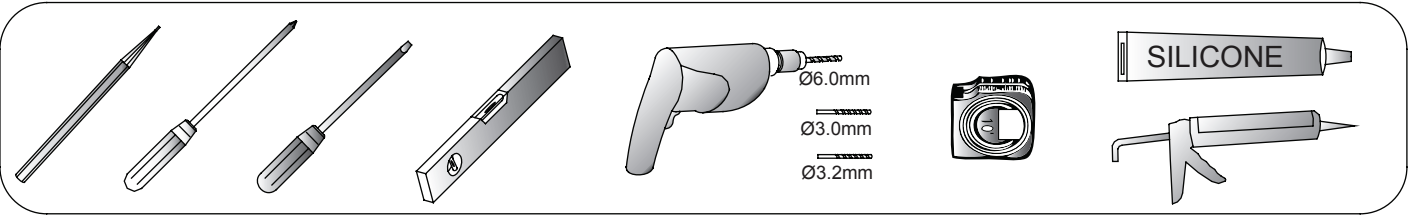
Parts supplied:

Quadrant Door - C22/C23



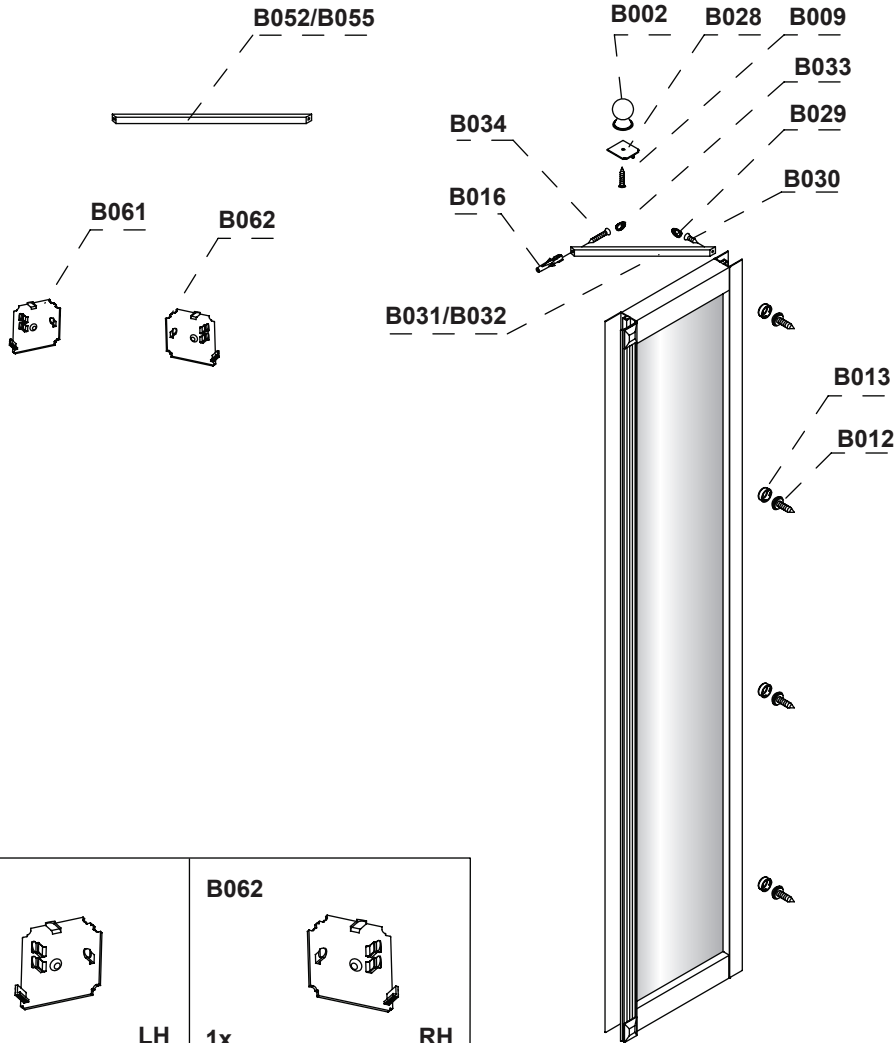
B015 2x	B001 2x	B009 4x ST3.5* 16mm	B027 1x	B028 1x	B002 4x	B003 1x
B004 1x	B005 8x	B029 2x	B030 2x ST4* 25mm	B031/B032 2x - B031 is for 800 Quadrant - B032 is for 900 Quadrant	B033 2x	
B034 2x ST4* 35mm	B012 16x ST3.5* 10mm	B013 16x	B014 8x ST4* 50mm	B016 10x	B018 2x	B025 4x ST4* 30mm
B035 1x	B036 1x	B037 1x	 1x 4mm			

Tools required:



Parts supplied:

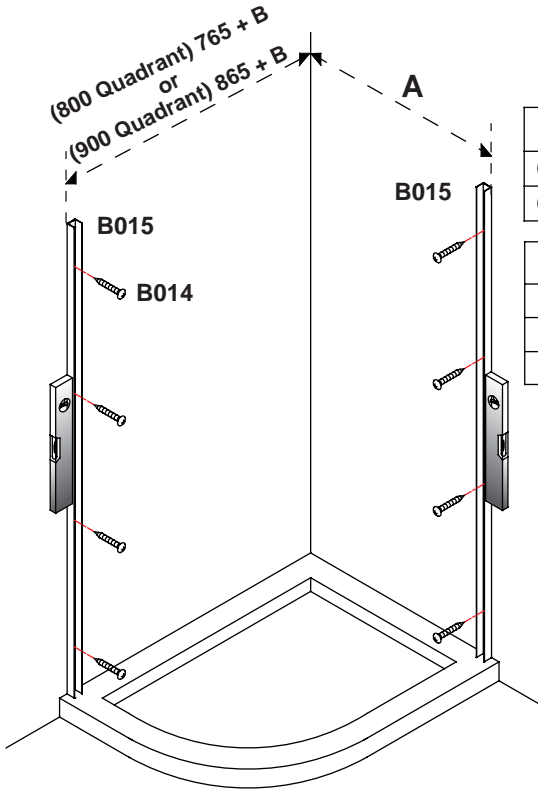
Inline Panel Box - C15/C16/C17



<p>B061</p> <p>1x LH</p>	<p>B062</p> <p>1x RH</p>			
<p>B002</p> <p>1x</p>	<p>B027</p> <p>1x</p>	<p>B028</p> <p>1x</p>	<p>B009</p> <p>1x</p> <p>ST3.5*16mm</p>	<p>B034</p> <p>1x</p> <p>ST4*35mm</p>
<p>B033</p> <p>1x</p>	<p>B030</p> <p>1x</p> <p>ST4*25mm</p>	<p>B029</p> <p>1x</p>	<p>B016</p> <p>1x</p>	<p>B012</p> <p>4x</p> <p>ST3.5*10mm</p>
<p>B013</p> <p>4x</p>	<p>B031/B032</p> <p>1x</p> <p>- B031 is for 200 Inline panel - B032 is for 300, 400 Inline panel</p>		<p>B052/B055</p> <p>1x</p> <p>- B052 is for 200 Inline panel - B055 is for 300, 400 Inline panel</p>	

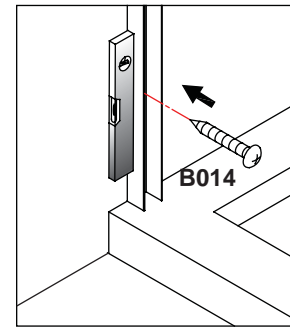
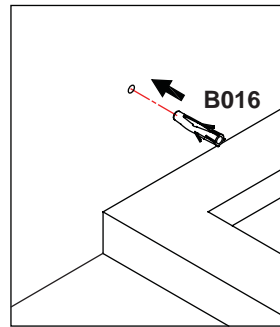
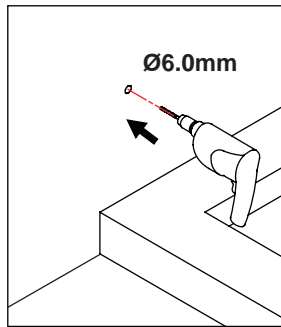
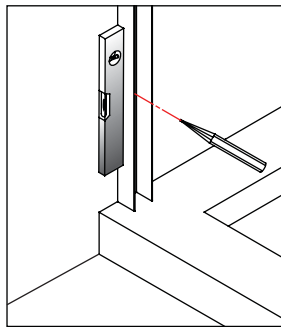
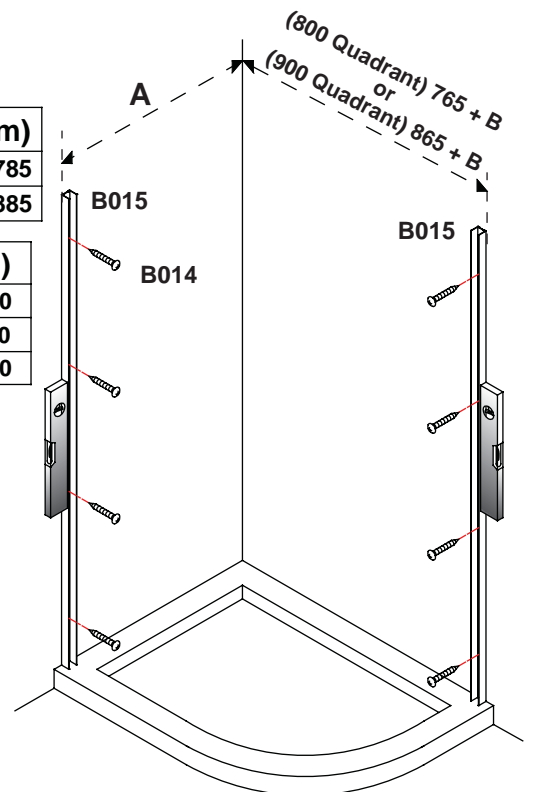
① Left hand offset

Right hand offset

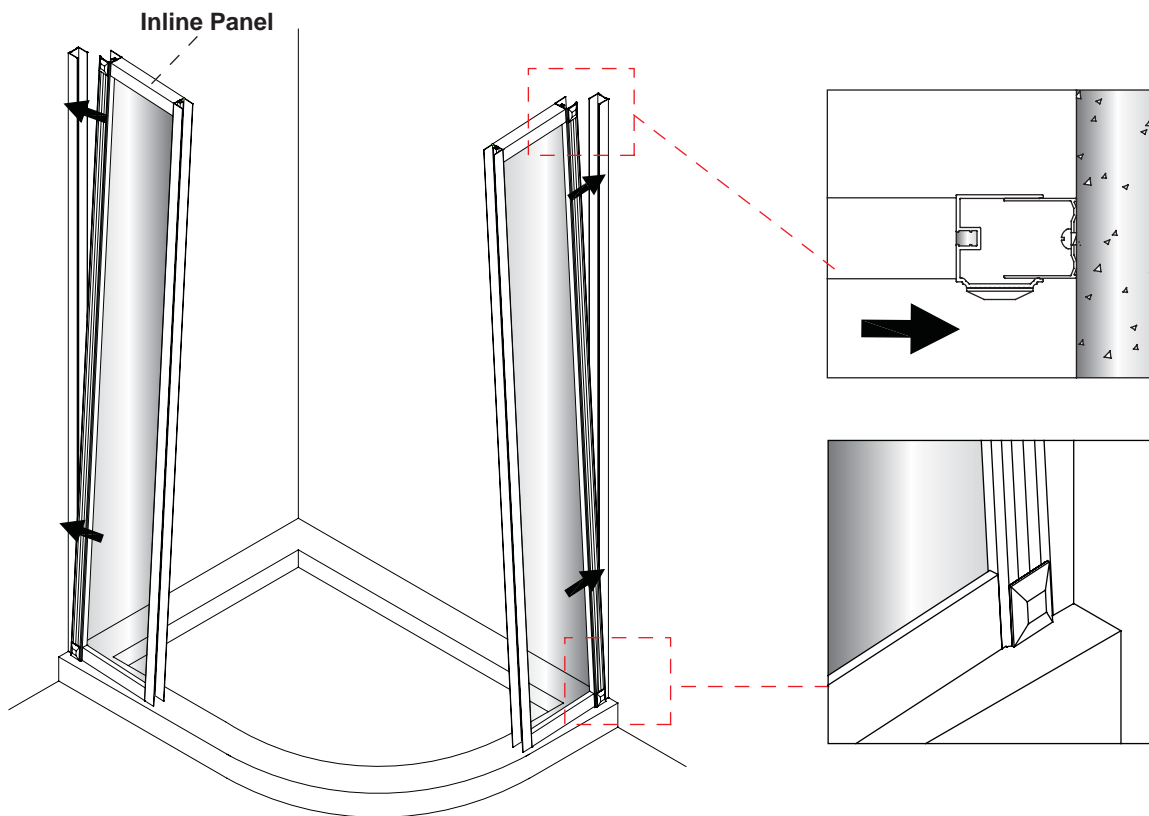


Item		A (mm)
C22	800 Quadrant door	765 ~ 785
C23	900 Quadrant door	865 ~ 885

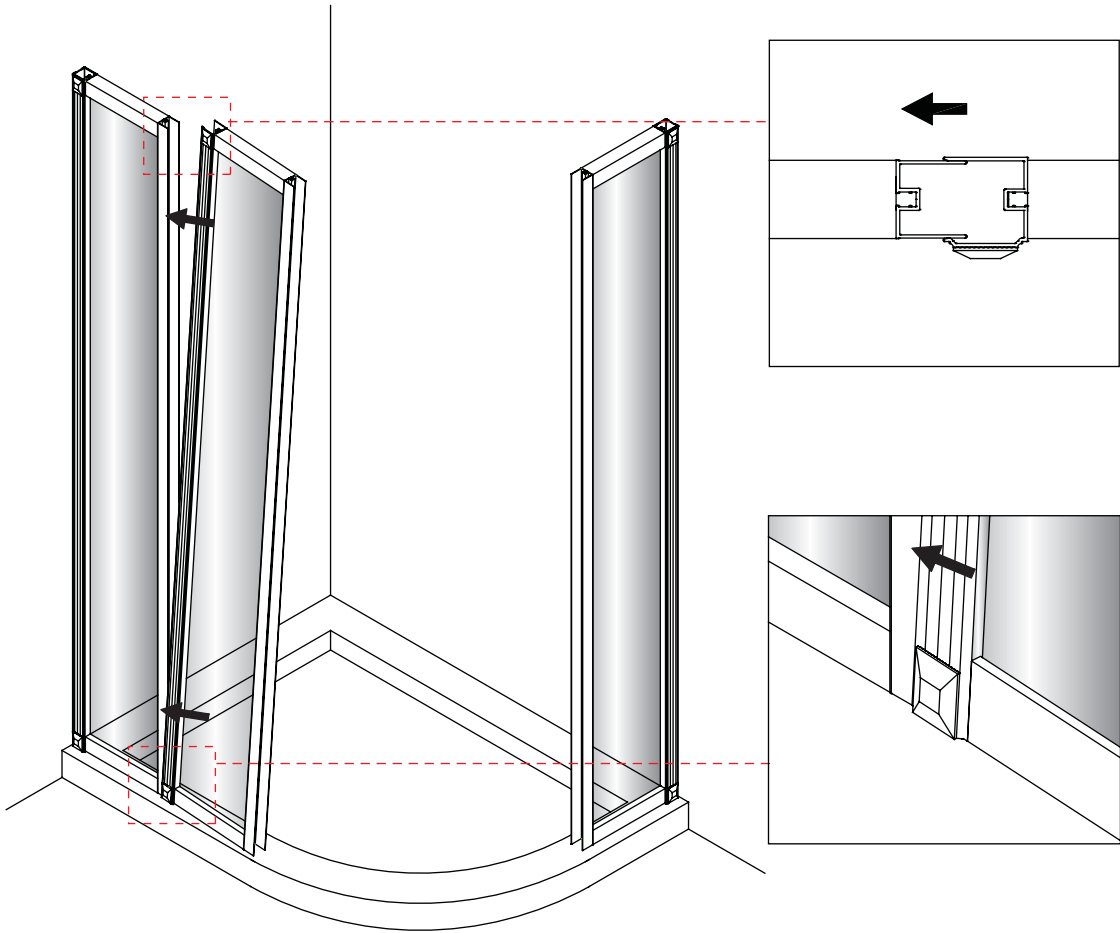
Item		B (mm)
C15	200 Inline Panel	200 ~ 220
C16	300 Inline Panel	300 ~ 320
C17	400 Inline Panel	400 ~ 420



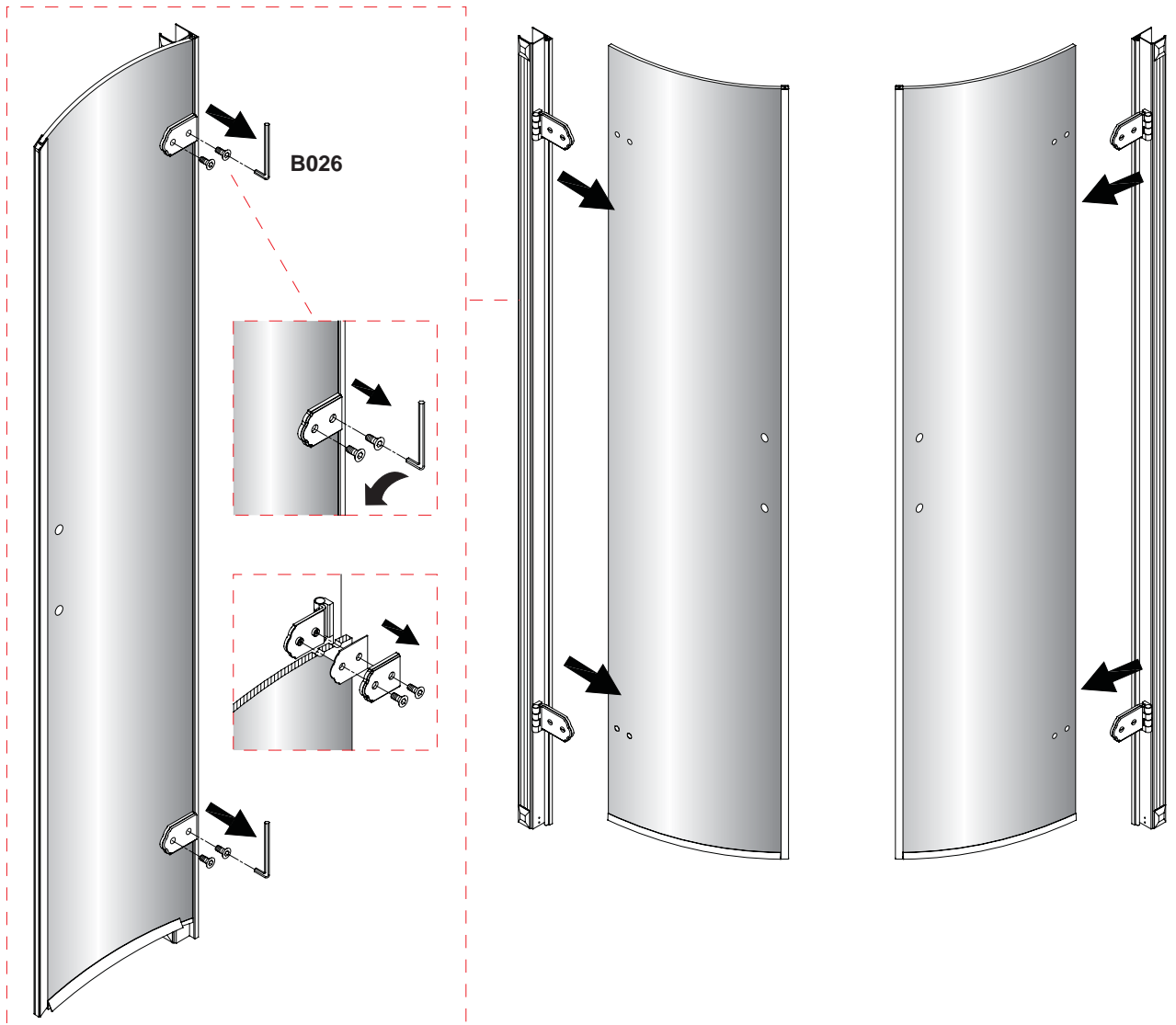
②



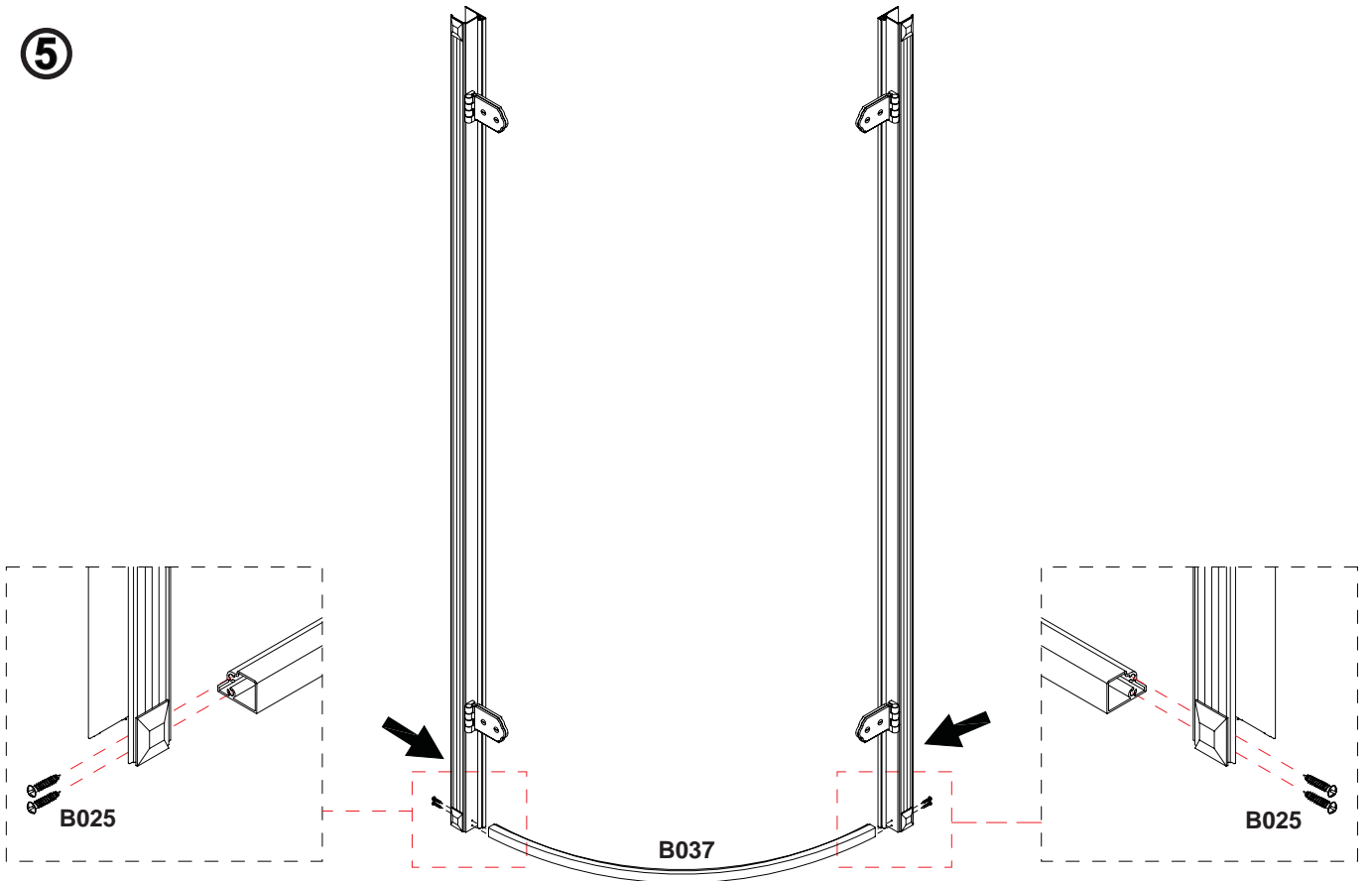
3



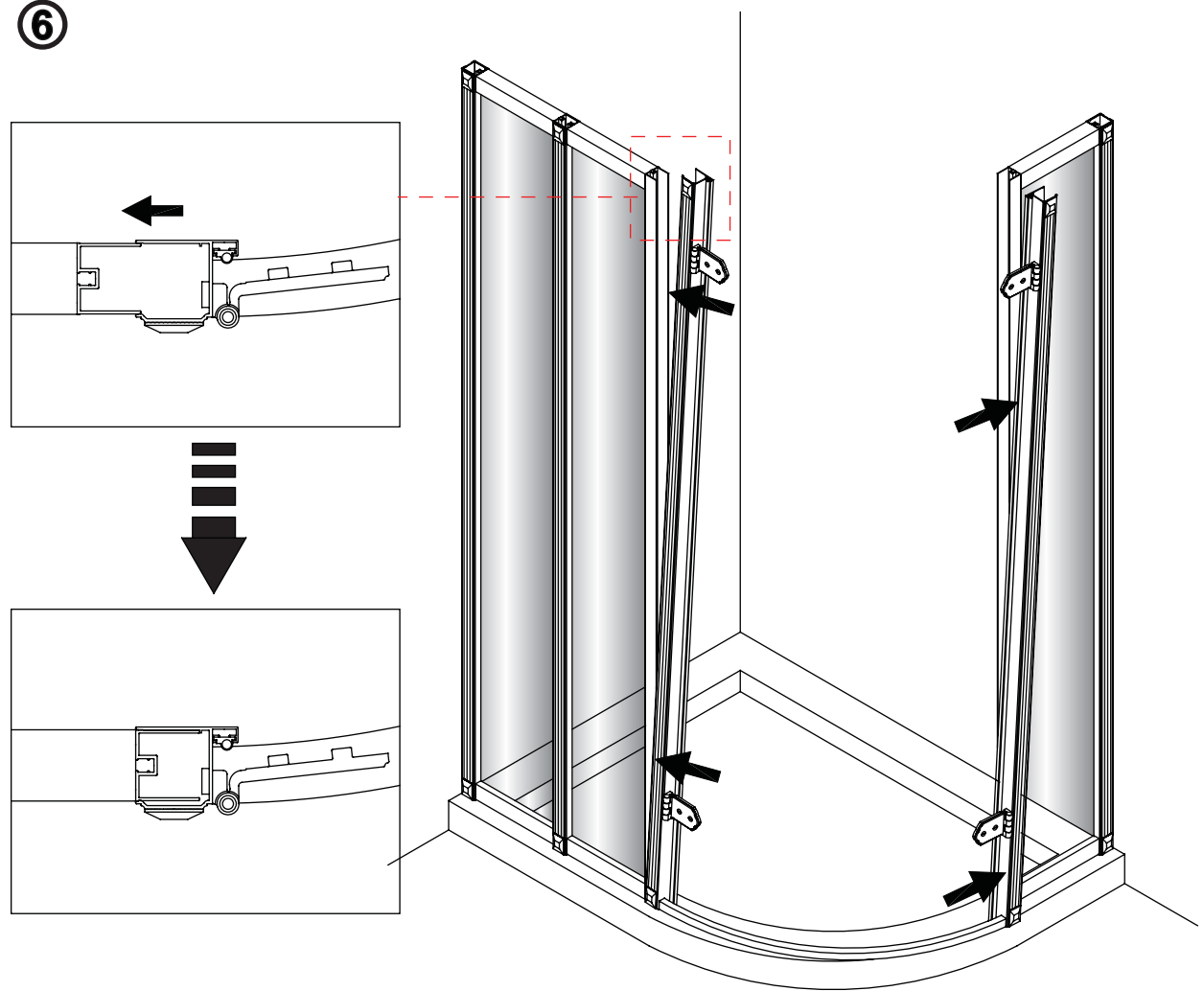
4



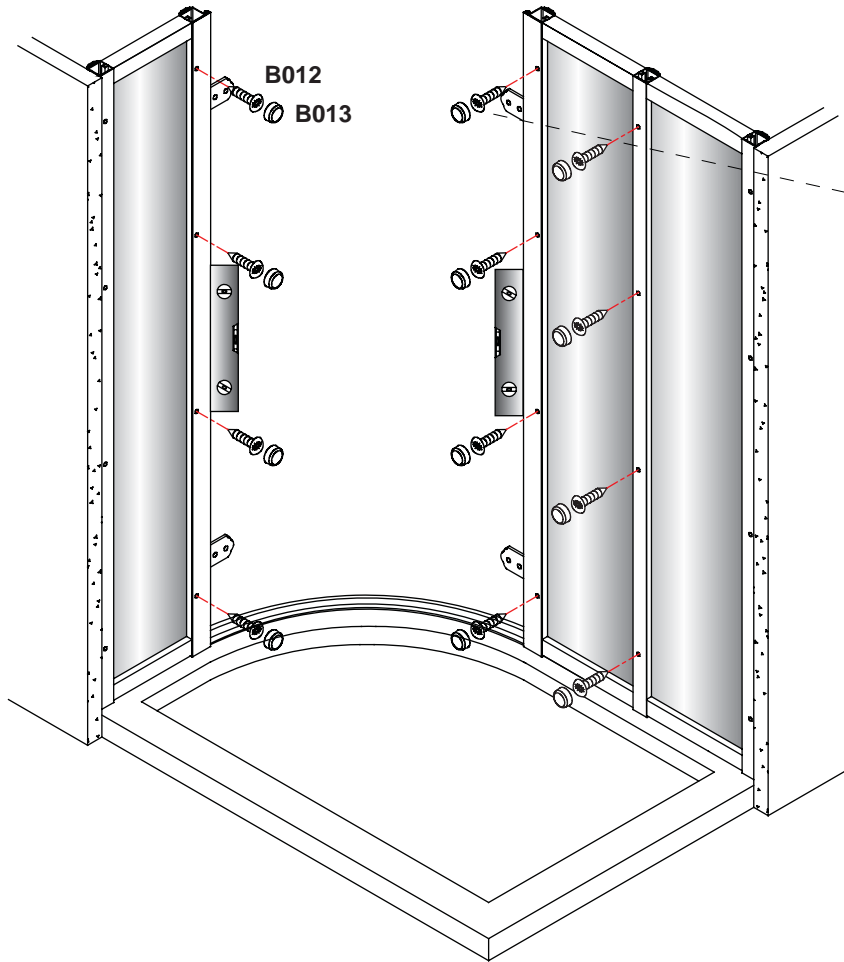
5



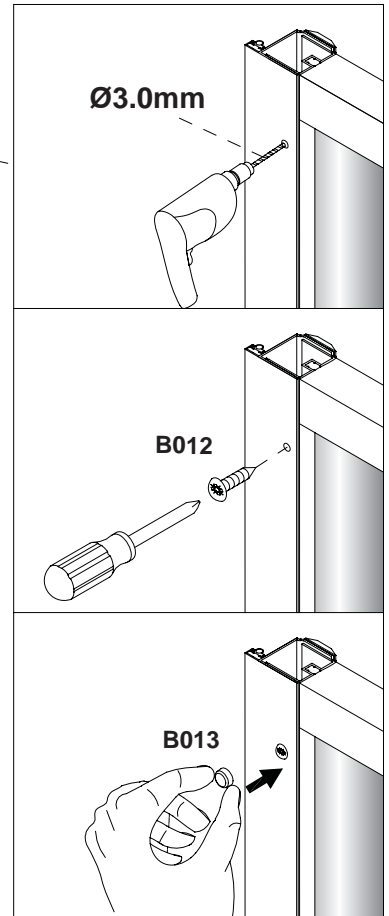
6



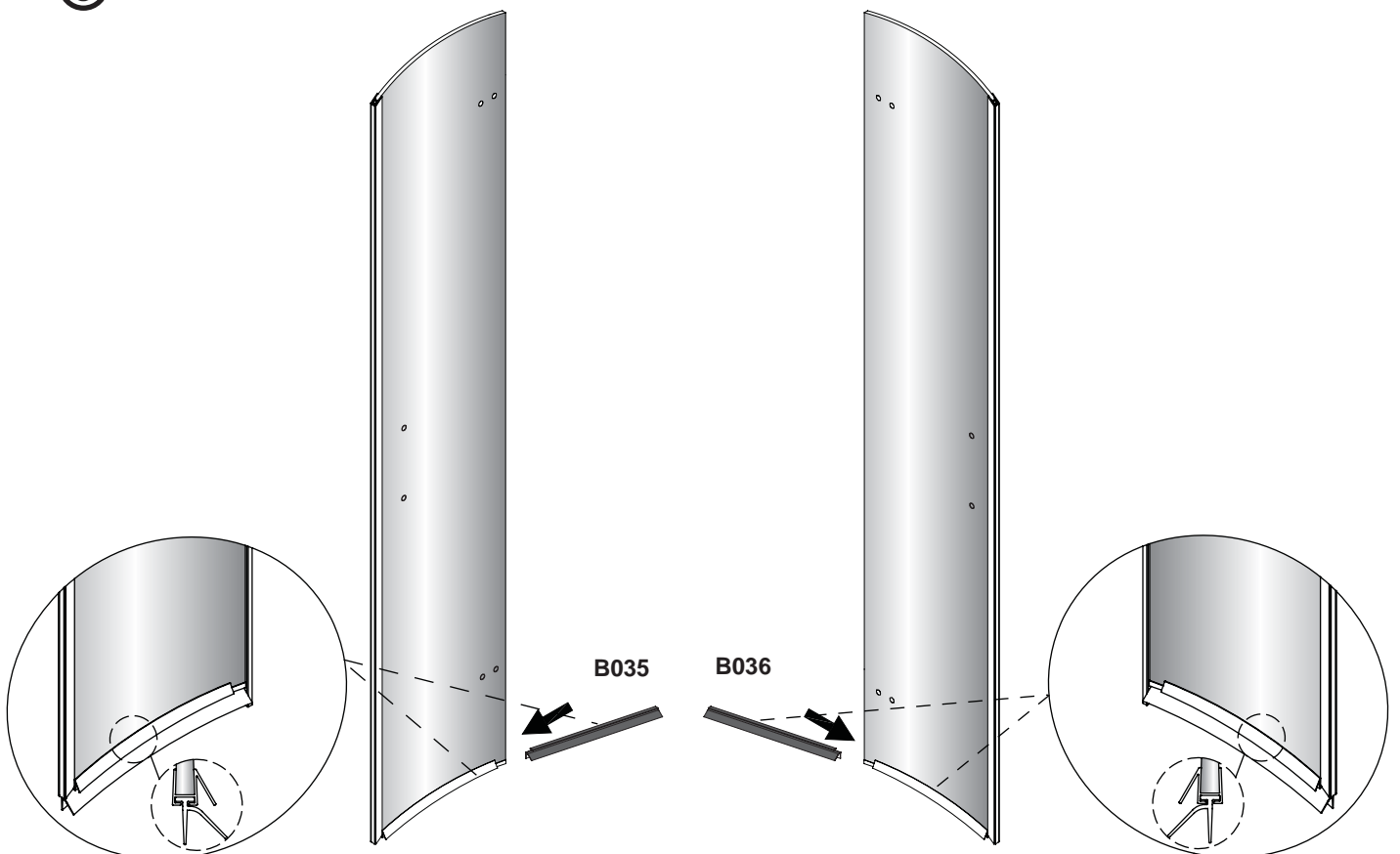
7



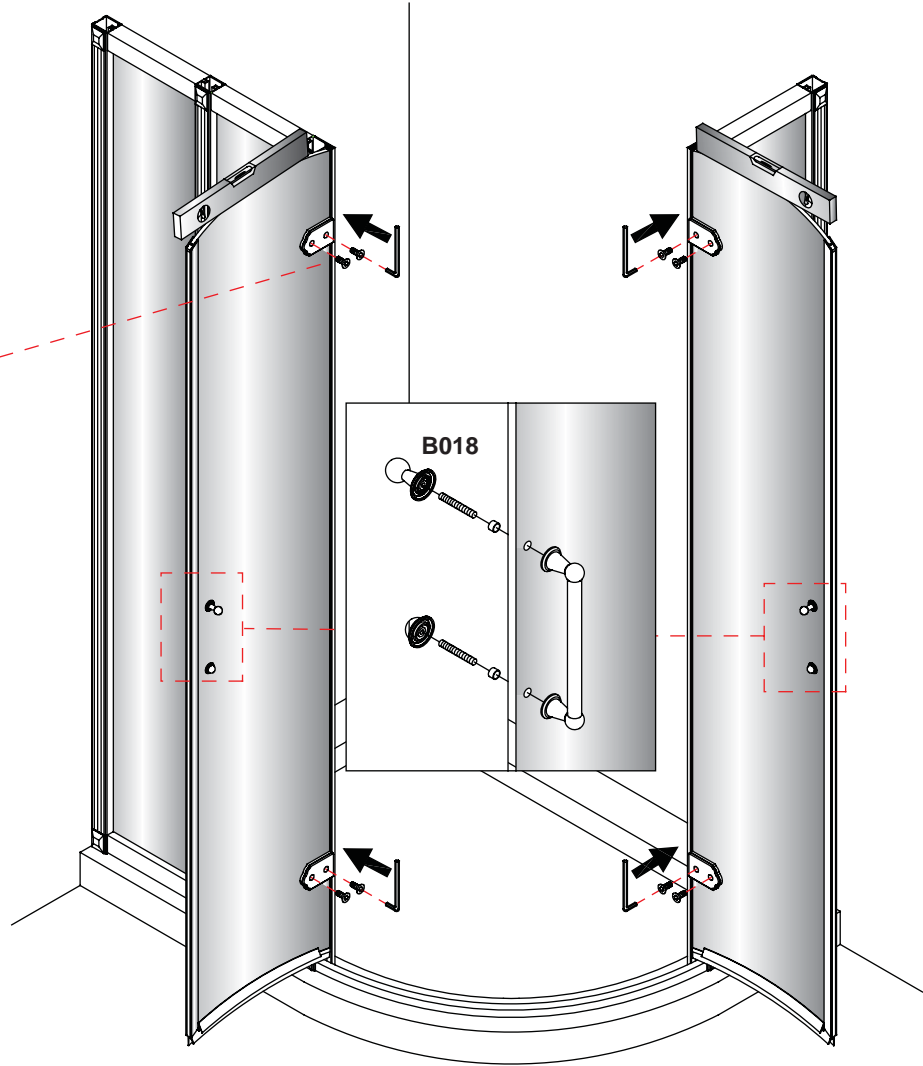
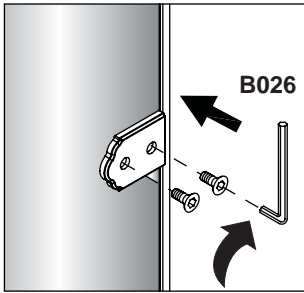
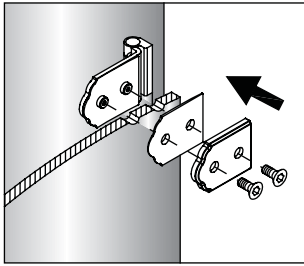
Fully push the door frame into the inline panels. Then check for vertical. From inside drill 4 holes through the door frame (in the marked positions). Fix using screws(B012), attach on the caps (B013). Any adjustment should be made from the wall profiles.



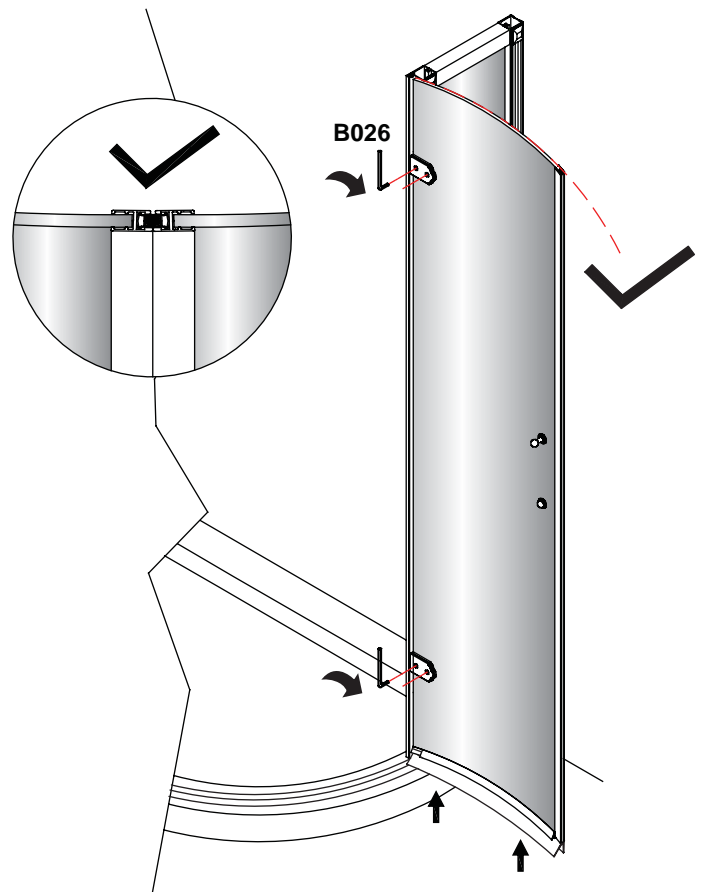
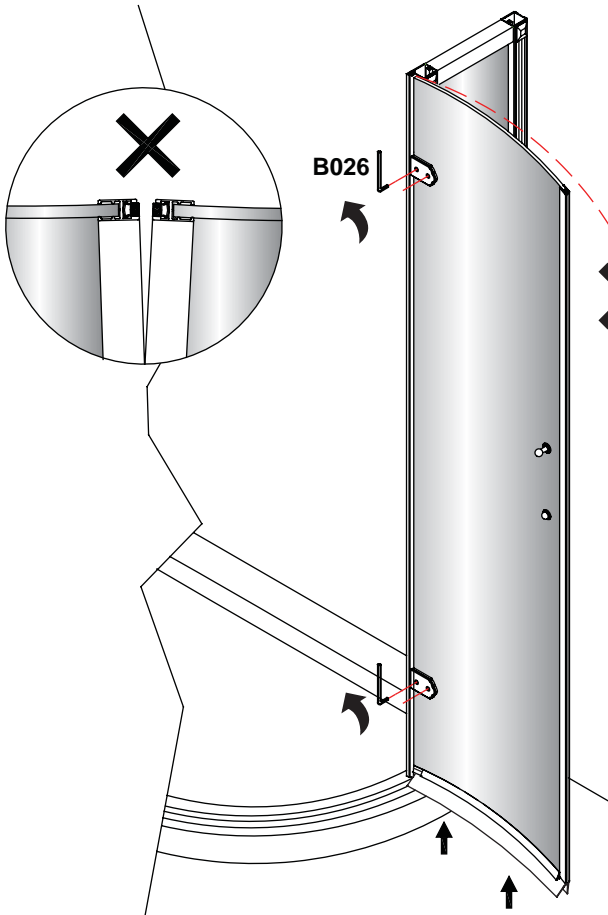
8



9

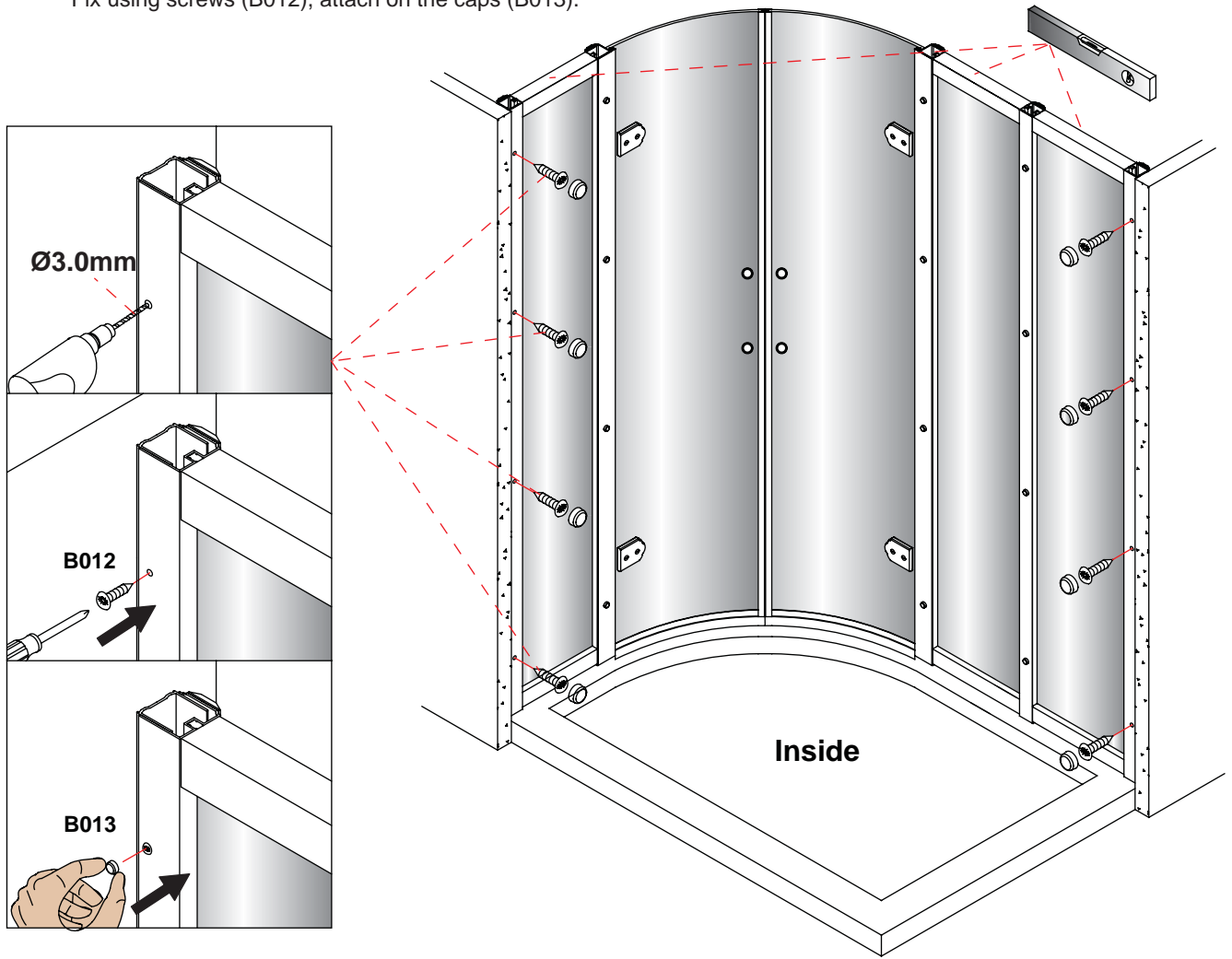


Only if adjustment is required.

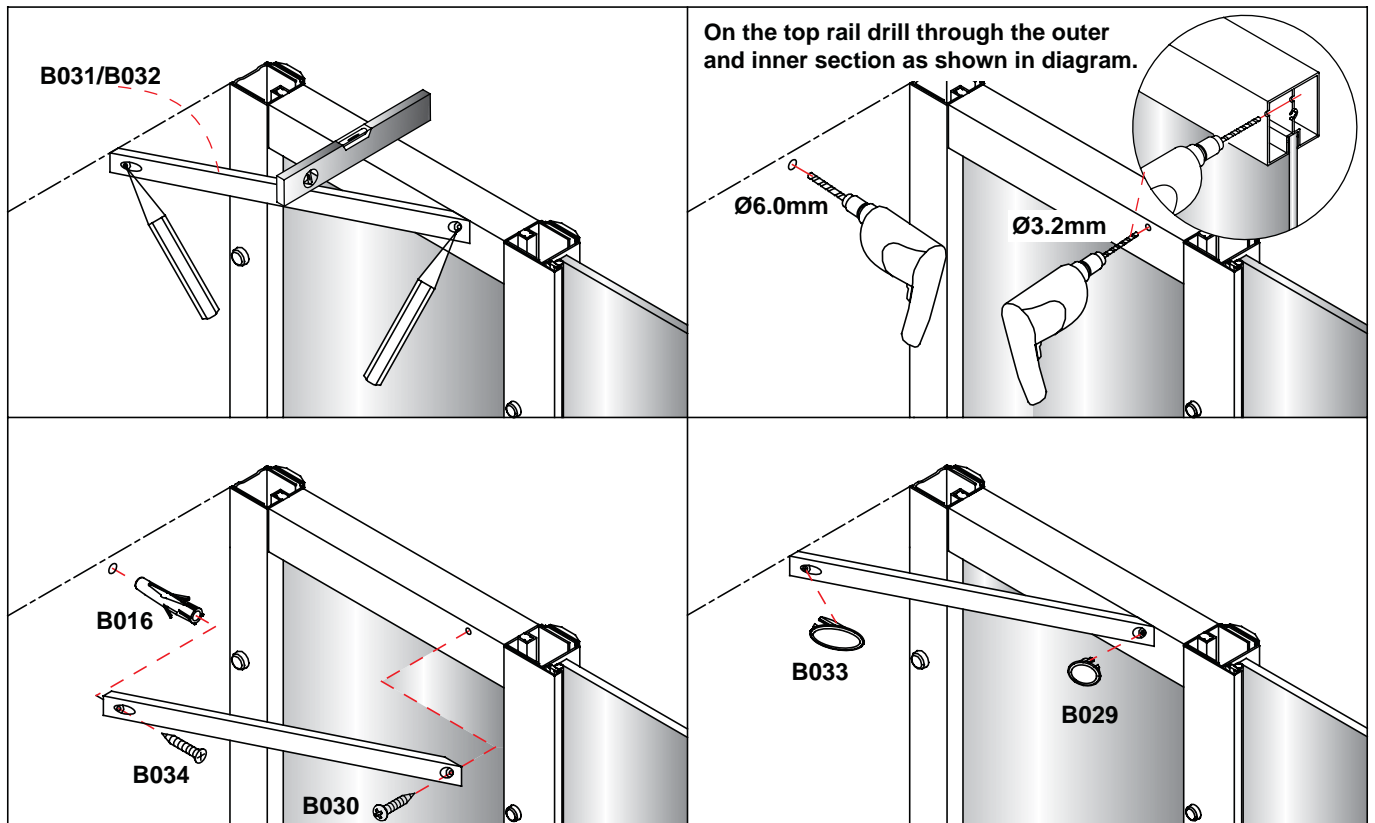


10

Once you have checked that the door opens and closes correctly fix the door to the wall channels. From inside drill 4 holes through the door frame (in the marked positions). Fix using screws (B012), attach on the caps (B013).



11



12

