

Product No. **7266-705-10**
 S No. **4212095**
 EAN No. **7312907266100**



Opus 200 Crystal

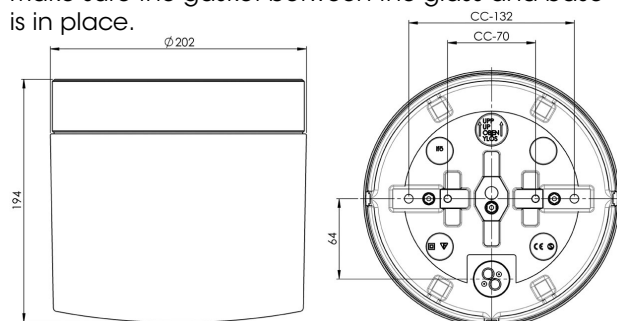
Opus 200 is an elegant cylindrical formed light fitting. Its timeless design is suitable for wall or ceiling installation, both indoors and outdoors.

Specification

Base material	Porcelain
Lampholder	E14
Light source	3x28W T/E (not incl.)
Voltage	230V
Installation	Ceiling
Base colour	White NCS S 1502-G50Y
Safety class	I
Protection class	IP44
Energy class	A++ - E
T _a	
Height	194 mm
Diameter Ø	202 mm
Glass	Clear glass
Thread	185,5 mm
Weight	3 kg
Design	Duoform

Installation

Insert the mains supply cable through the bottom inlet. Push the silicone sleeves included over the leads. Attach the light fitting to the ceiling with suitable screws. Connect the leads to the terminals. Loosen the two screws that hold the mounting plate. Mount the crystal chandelier to the mounting plate using the two keyhole-formed holes. Tighten the screws. Insert a light source and then fasten the shade by turning it clockwise. Make sure the gasket between the glass and base is in place.



Technical information

Silicone gasket between glass and base. Four Ø 5mm holes for installation. CC measurements 133 mm or 70 mm. One bottom inlet for two mains supply cable. Connection to terminal of max 3 x 1,5 mm². Bridging is possible. Bottom inlet, three knock out openings. Our shades are all unique, minor variations may occur.

Maintenance

Switch off the power to the fixture. Remove the shade and clean it. Do not use cleaning agents containing solvents. Change the light source if necessary. Check the gasket and change it if necessary. Replace the shade.

Spare parts

Shade: Part no 1-6185-10
 Gasket: Part no 3431

If the luminaire is modified the person responsible for the modification shall be considered manufacturer. Subject to errors in text. We reserve the right to change the technical specifications (without notice).

