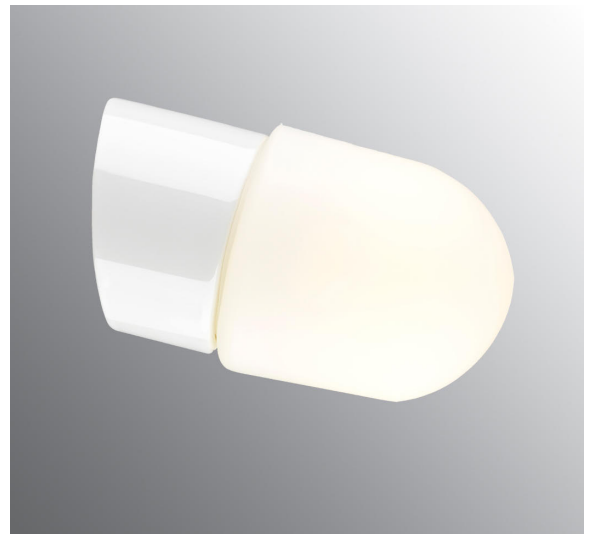


Product No. **8018-509-10**  
 S No. **4112818**  
 EAN No. **7312908018203**



## Contrast Fridhem Sauna

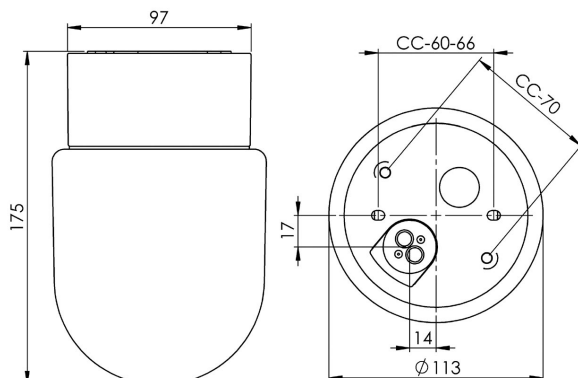
A sauna light fitting from the Contrast series with a ceramic socket and matt opal shade. Available with a straight base for installation in the ceiling or on the wall.

### Specification

Base material	Porcelain
Lampholder	E27
Light source	60W wall (not incl.)
Voltage	230V
Installation	Wall
Base colour	White NCS S 1502-G50Y
Safety class	II
Protection class	IP44
Energy class	C-E
$T_a$	
Height	137 mm
Diameter $\varnothing$	115 mm
Glass	Matt opal
Thread	84,5 mm
Weight	0,85 kg
Design	Duoform

### Installation

Insert the mains supply cable through the bottom inlet. Fix the light fitting to a wall or ceiling with suitable screws. Connect the leads to the mantle screws. Fasten the lamp holder. Insert a light source and then fasten the shade by turning it clockwise. Make sure the gasket between the glass and base is in place.



### Technical information

Silicone gasket between glass and base. Two  $\varnothing 5$ mm holes with CC measurement 60-66 mm for installation. One bottom inlet for two mains supply cable. Two mantle screws for connection of max 2 x 2,5 mm<sup>2</sup>. Bridging is possible. Bottom inlet, one knock out wall. The luminaire is designed to be installed in ambient temperatures of up to 125 °C. Also approved for steam rooms.

### Maintenance

Switch off the power to the fixture. Remove the shade and clean it. Do not use cleaning agents containing solvents. Change the light source if necessary. Check the gasket and change it if necessary. Replace the shade.

### Spare parts

Shade: Part no 1-6122  
 Gasket: Part no 02786-1

*If the luminaire is modified the person responsible for the modification shall be considered manufacturer. Subject to errors in text. We reserve the right to change the technical specifications (without notice).*