

Product No. **7266-500-12**  
 S No. **4211965**  
 EAN No. **7312907266223**



# Opus 200/190

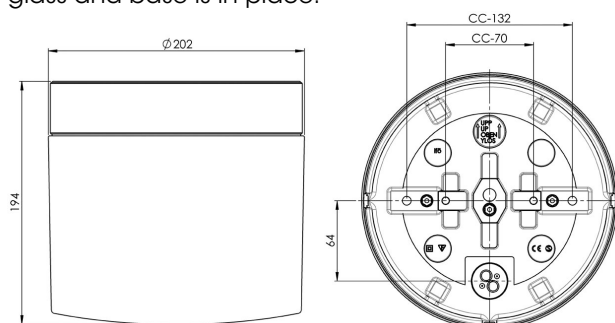
Opus 200 is an elegant cylindrical formed light fitting. Its timeless design is suitable for wall or ceiling installation, both indoors and outdoors.

## Specification

|                  |                      |
|------------------|----------------------|
| Base material    | Porcelain            |
| Lampholder       | E27                  |
| Light source     | Max 75W (not incl.)  |
| Voltage          | 230V                 |
| Installation     | Ceiling/wall         |
| Base colour      | Grey NCS S 6005-G50Y |
| Safety class     | II                   |
| Protection class | IP44                 |
| Energy class     | -                    |
| T <sub>a</sub>   | -30 - +25            |
| Height           | 194 mm               |
| Diameter Ø       | 202 mm               |
| Glass            | Matt opal            |
| Thread           | 185,5 mm             |
| Weight           | 2 kg                 |
| Design           | Duoform              |

## Installation

Insert the mains supply cable through the bottom inlet. Push the silicone sleeves included over the leads. Fix the light fitting to the wall or to the ceiling with suitable screws, make sure the arrow and text UP on the bottom of the base points upwards for wall installation. Connect the leads to the terminals. Fasten the lamp holder. Insert a light source and then fasten the shade by turning it clockwise. Make sure the gasket between the glass and base is in place.



## Technical information

Silicone gasket between glass and base. Four Ø 5mm holes for installation. CC measurements 133 mm or 70 mm. One bottom inlet for two mains supply cable. Terminal connection of max 2 x 1,5 mm<sup>2</sup>. Bridging is possible. Bottom inlet, three knock out openings.

## Maintenance

Switch off the power to the fixture. Remove the shade and clean it. Do not use cleaning agents containing solvents. Change the light source if necessary. Check the gasket and change it if necessary. Replace the shade.

## Spare parts

Shade: Part no 1-6185-30  
 Gasket: Part no 3431

*If the luminaire is modified the person responsible for the modification shall be considered manufacturer. Subject to errors in text. We reserve the right to change the technical specifications (without notice).*