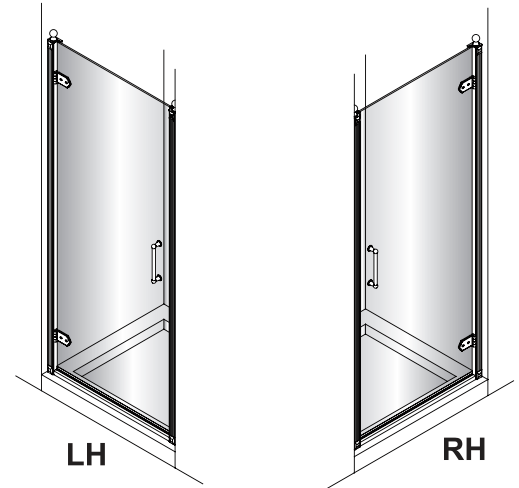


Burlington[®]
Yesterday's designs TODAY'S TECHNOLOGY

Hinged Door 760 - C19

Hinged Door 800 - C20

Hinged Door 900 - C21

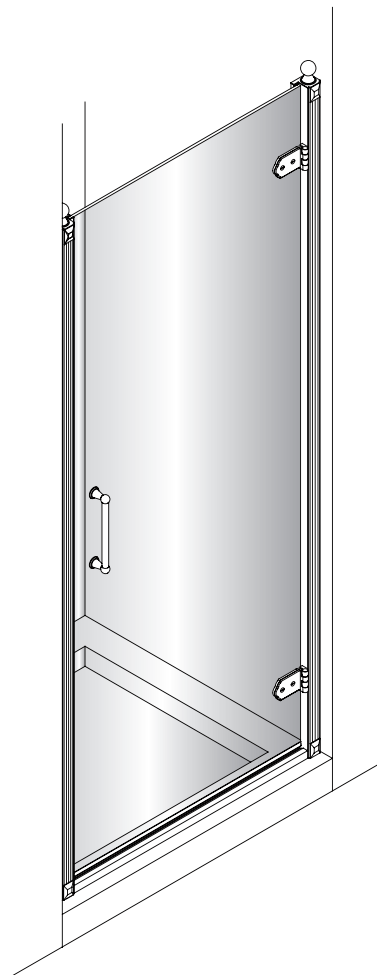


Before Installation:

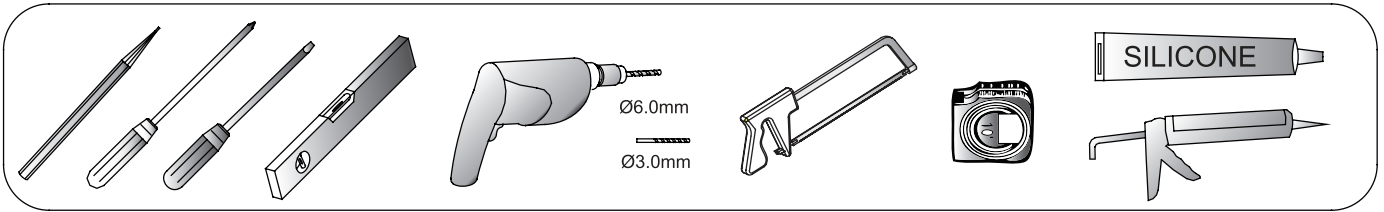
- Check the contents of the pack carefully before installation.
- The tray **MUST** be installed level and fully sealed to the tiles.
- Handle with care. Impacts can damage both the glass and the frame.
- Check for any hidden pipes or cables before drilling holes in the wall.
- The enclosure is reversible: " door can be either left or right opening. "
In the remainder of this manual the illustrations will only show the right hand installation of the hinged door.
The parts marked "LH" or " RH" would be only suitable for the relative shower enclosure.
- The wall fixings supplied may not be suitable for your installation. You may need to source alternatives depending on the construction of the wall you are fixing to.
- Follow each step in turn.

Care and Cleaning:

- Do not use solvents or abrasive material or chemicals to clean the enclosure.
- Only clean using soapy water and a soft cloth, rinse thoroughly afterwards.

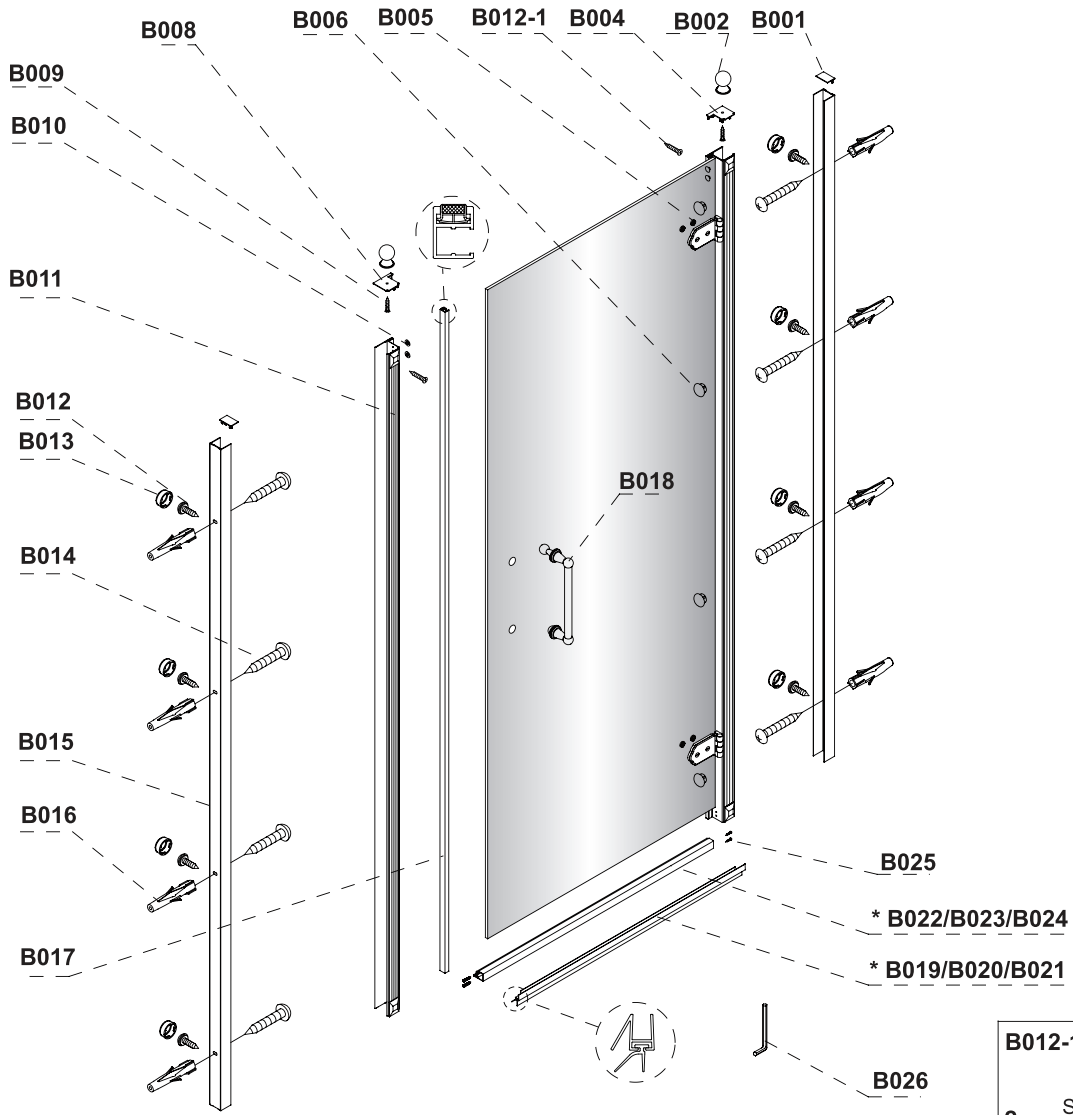
















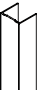


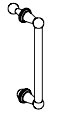
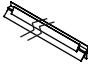
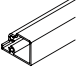
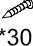

Tools required:



Parts supplied:

Hinged Door



| | | | | | |
|---|---|--|--|---|--|
| B001  2x | B002  2x | B003  1x LH | B004  1x RH | B005  4x | B006  4x |
| B007  1x LH | B008  1x RH | B009  2x ST3.5*16mm | B010  4x | B011  1x | B012  8x ST3.5*10mm |
| B013  8x | B014  8x ST4*50mm | B015  2x | B016  8x | B017  1x | B018  1x |
| * B019/B020/B021  1x - B019 is for 760 Hinged door - B020 is for 800 Hinged door - B021 is for 900 Hinged door | * B022/B023/B024  1x - B022 is for 760 Hinged door - B023 is for 800 Hinged door - B024 is for 900 Hinged door | | B025  4x ST4*30mm | B026  1x 4mm | |

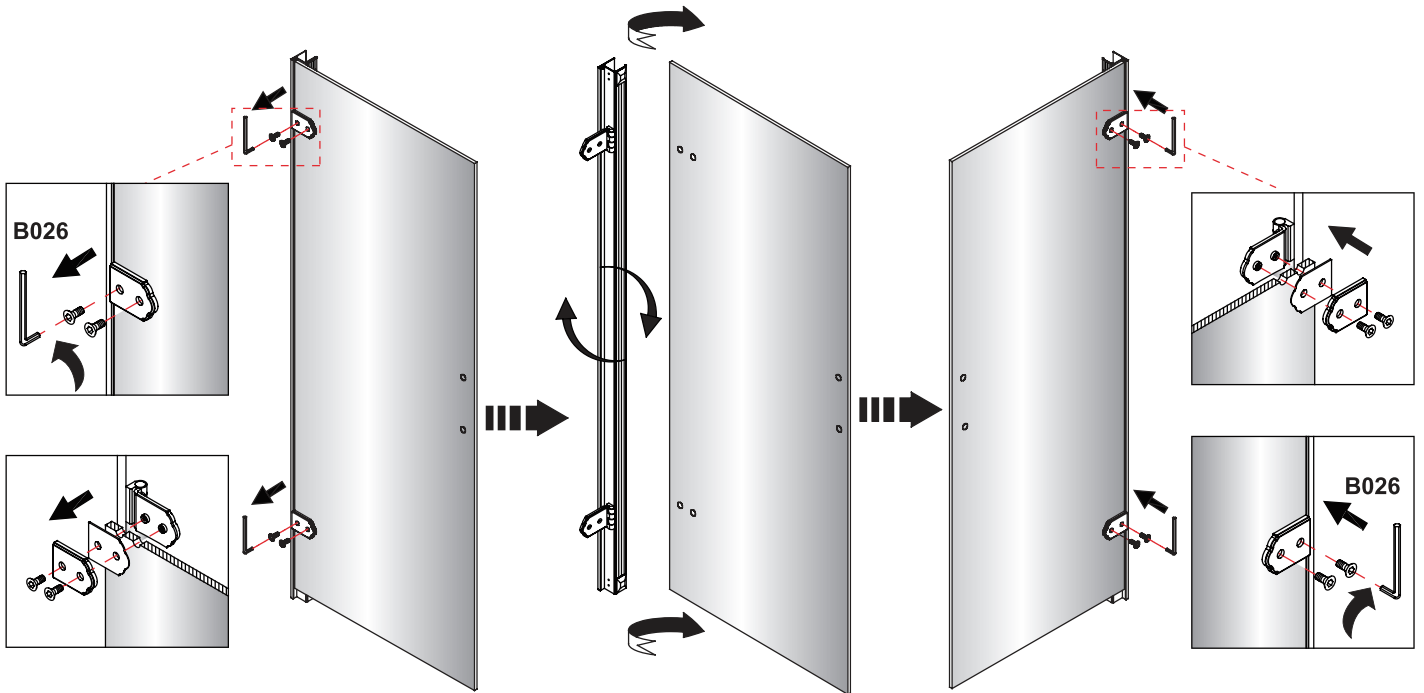


The hinged door is supplied for Right Handed installation. For Left Handed installation please loosen the hinges and reverse the glass as shown below.

Right Hand



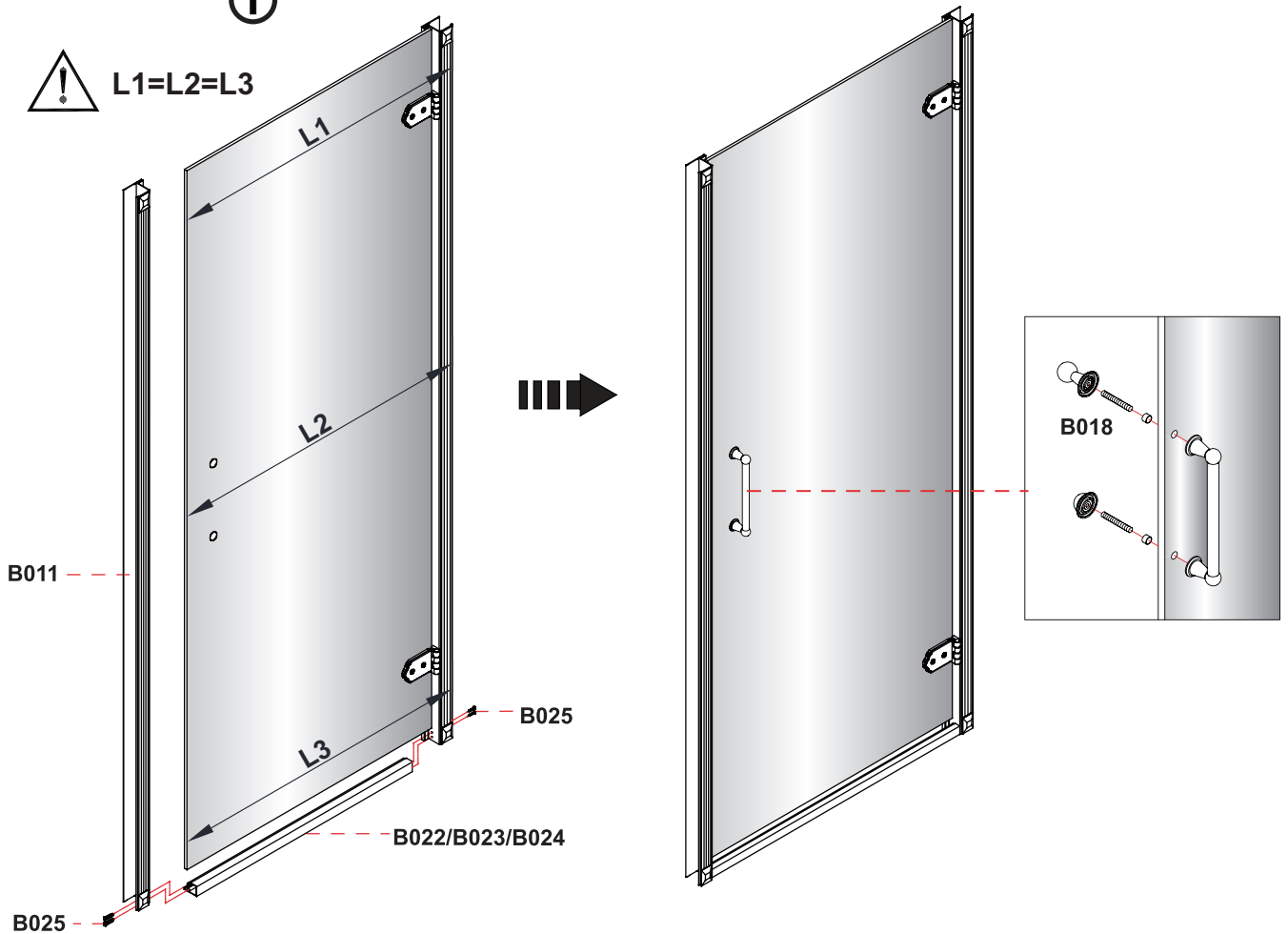
Left Hand



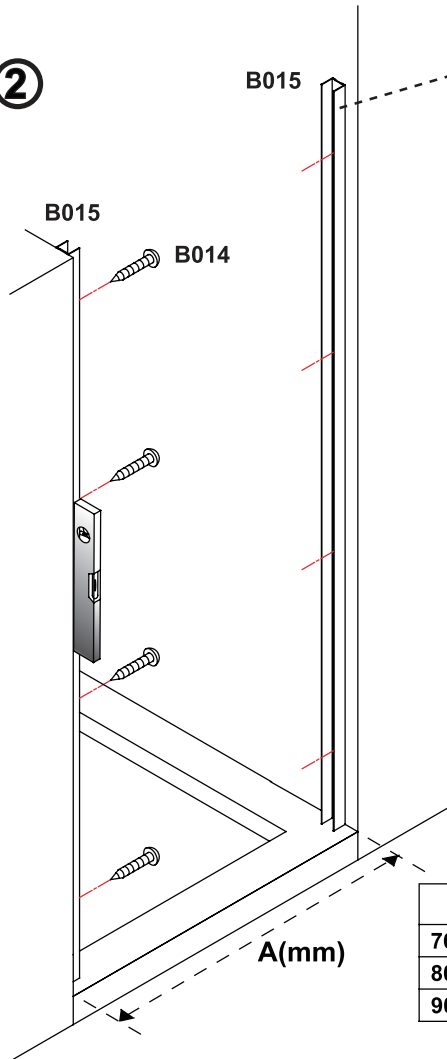
①



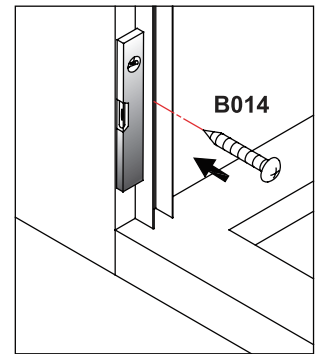
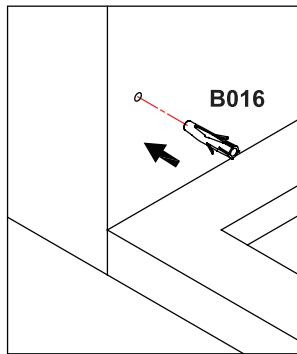
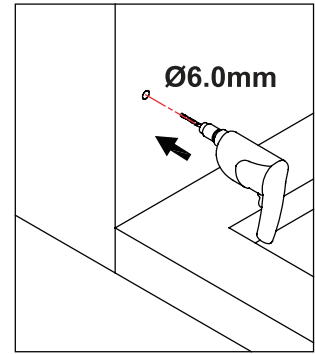
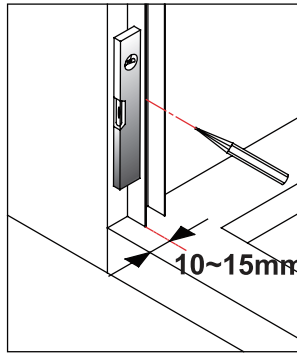
$L1=L2=L3$



②

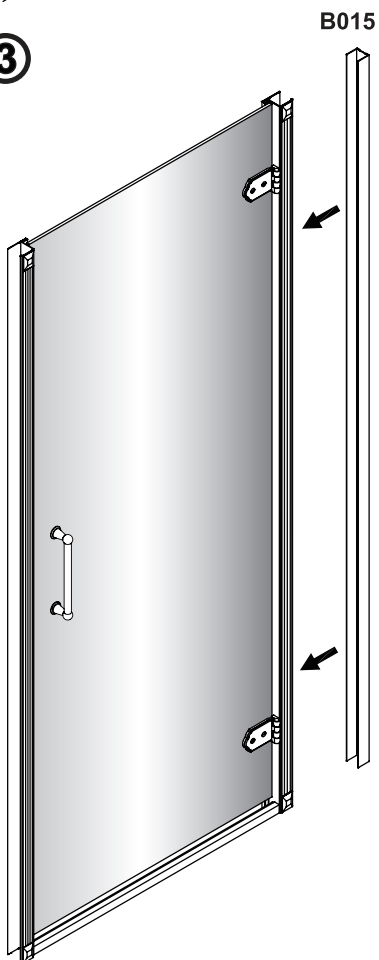


At this step the wall profile on the hinged side should not be fixed to the wall, and should be done at step 5.

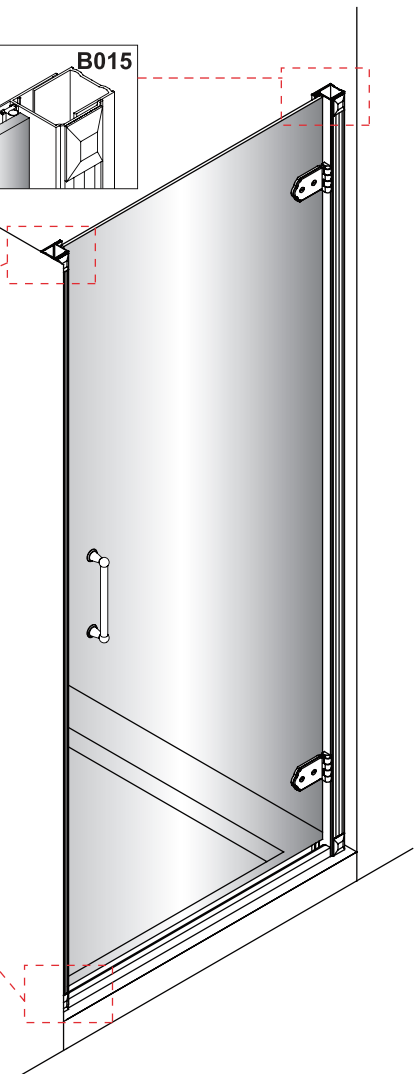
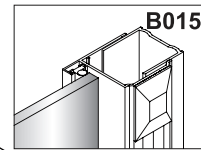
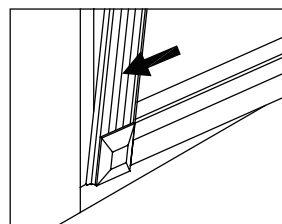
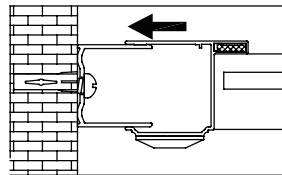
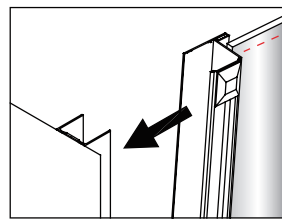


| Item | A (mm) |
|-----------------|-----------|
| 760 Hinged door | 720 ~ 760 |
| 800 Hinged door | 760 ~ 800 |
| 900 Hinged door | 860 ~ 900 |

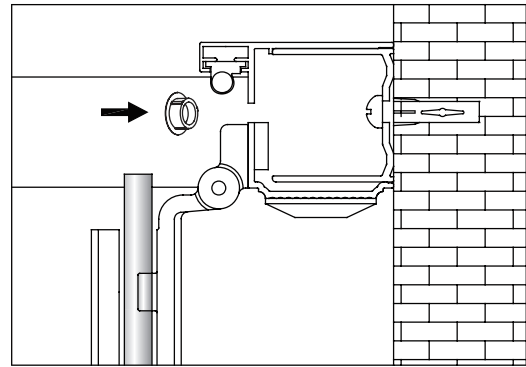
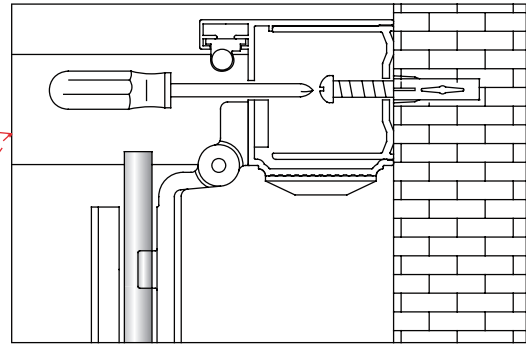
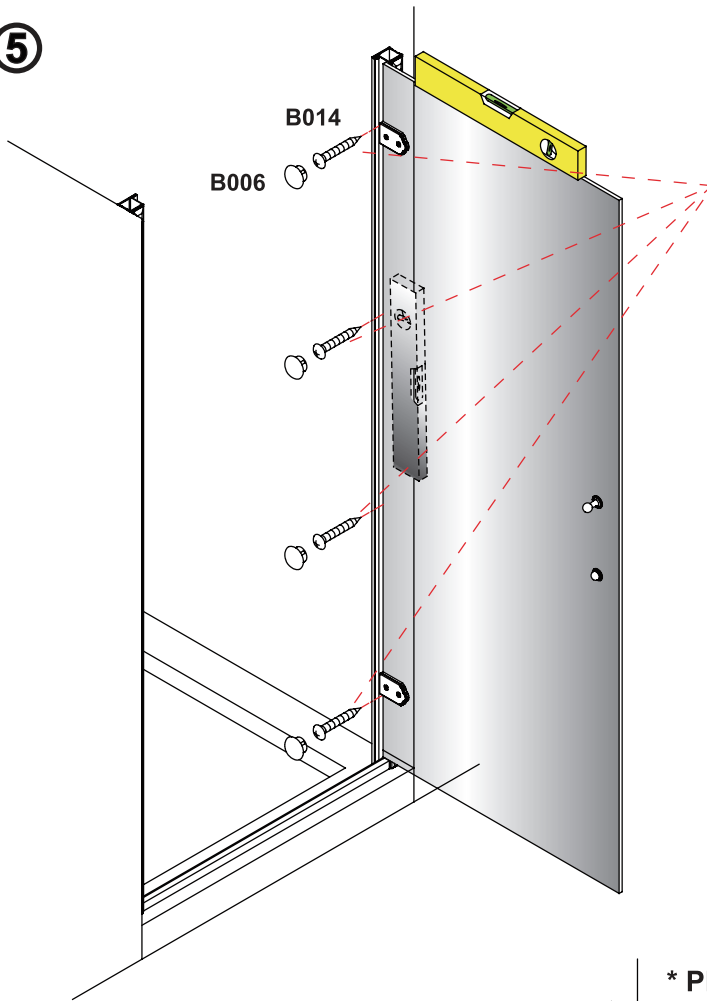
③



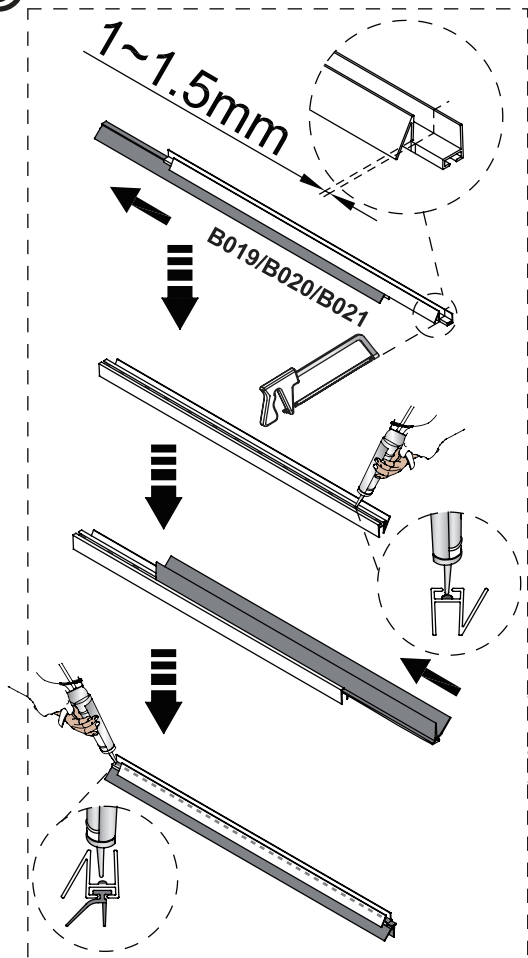
④



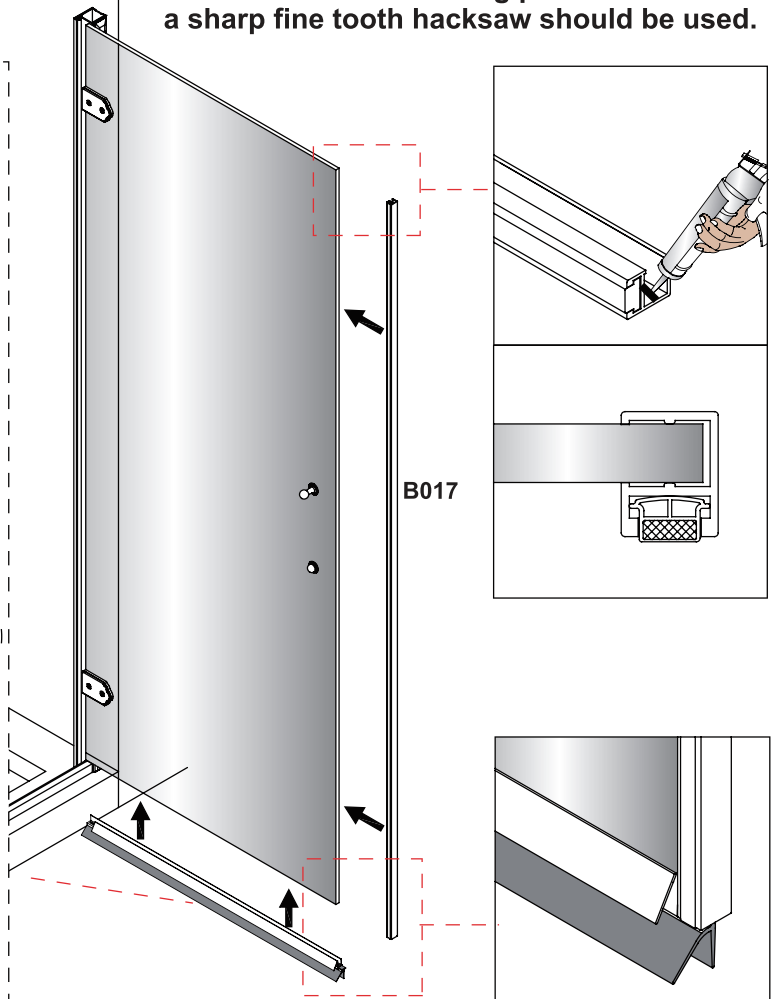
5



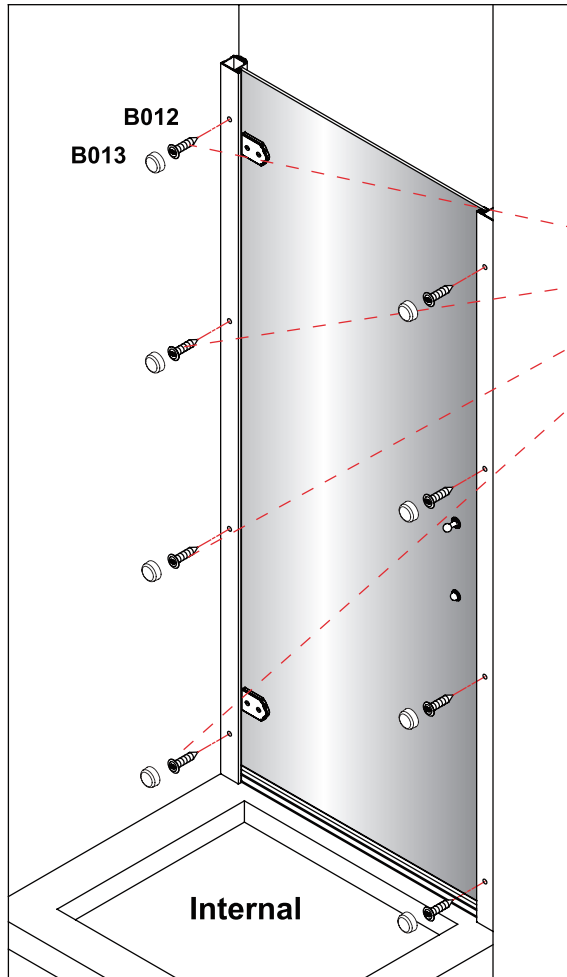
6



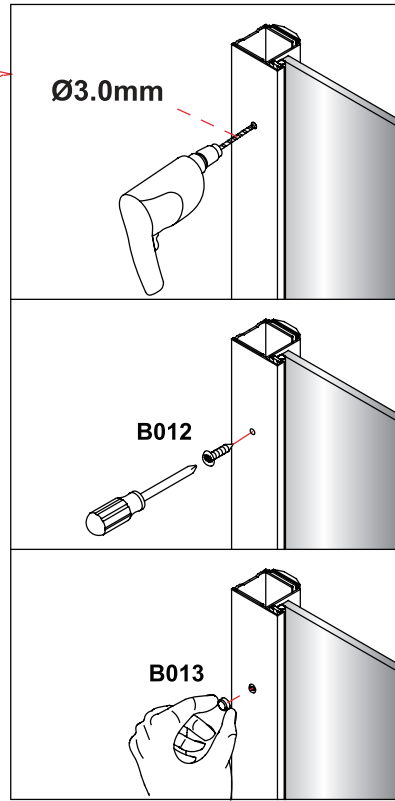
* Please note when cutting parts B019/B20/B21 a sharp fine tooth hacksaw should be used.



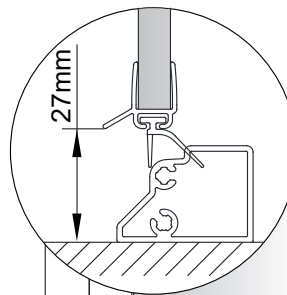
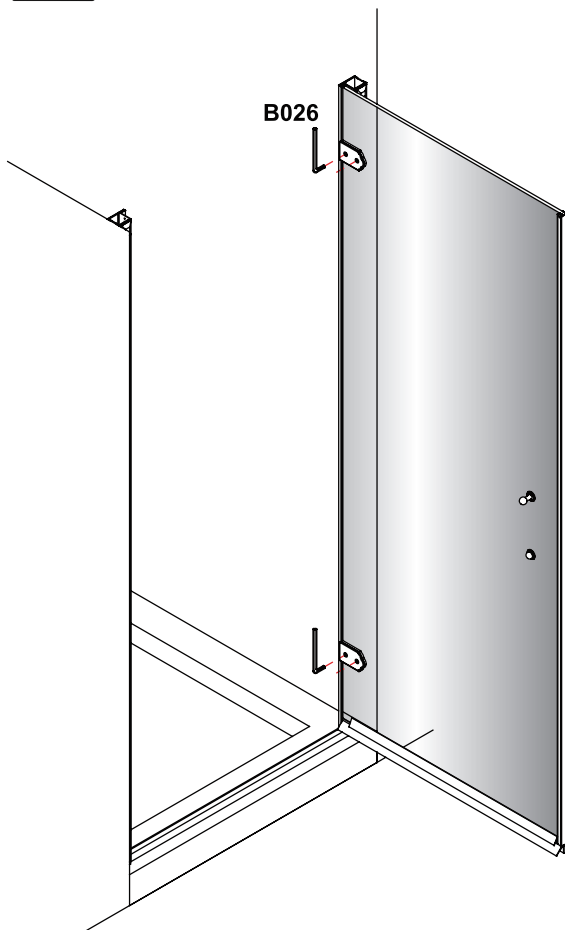
7



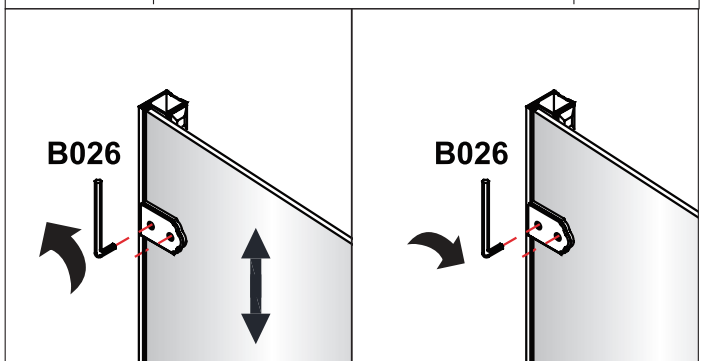
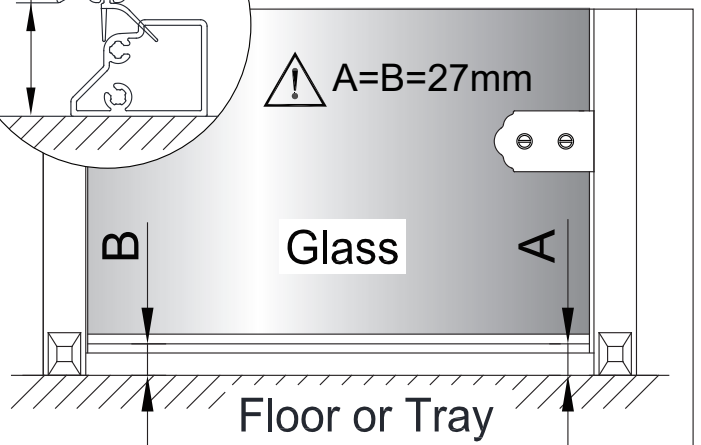
Once you have checked that the door opens and closes correctly, fix the door to the wall channels.



Only if adjustment is required.

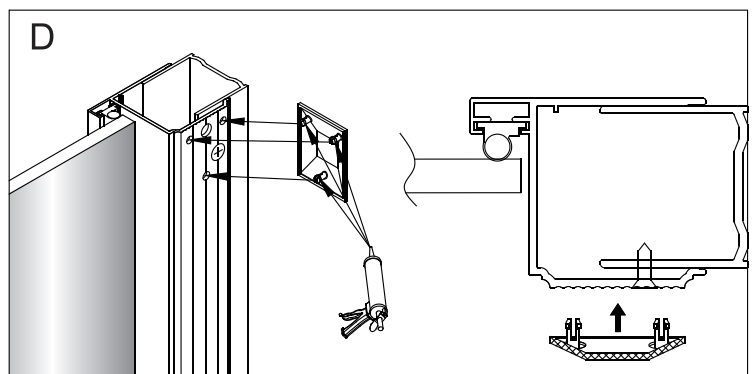
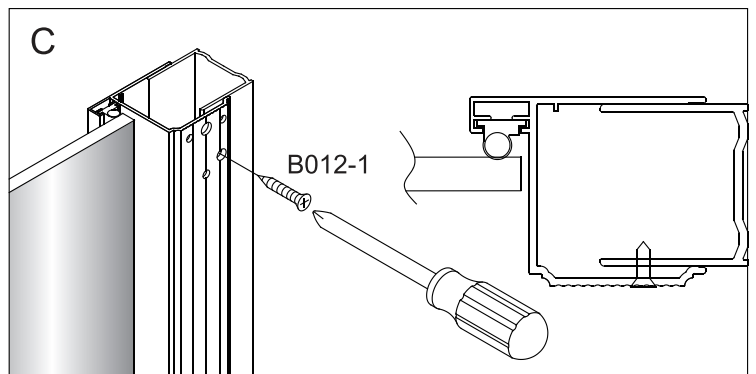
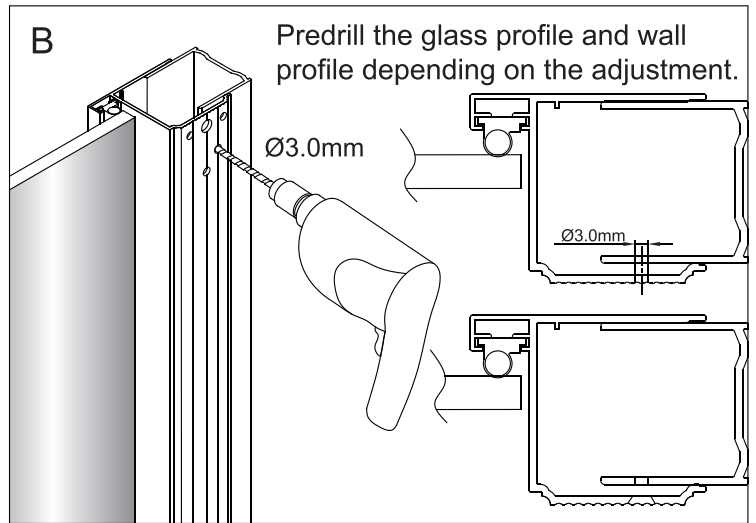
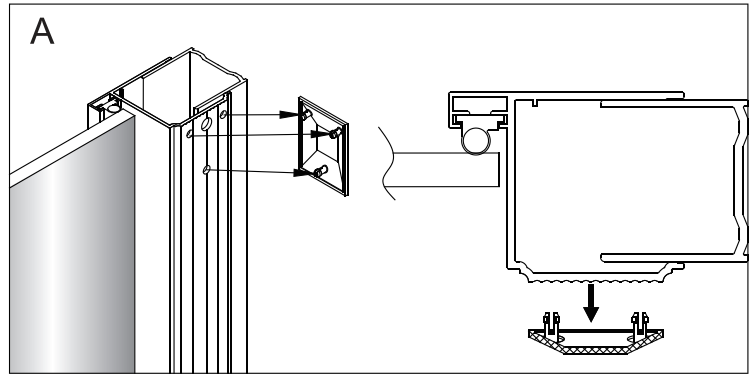
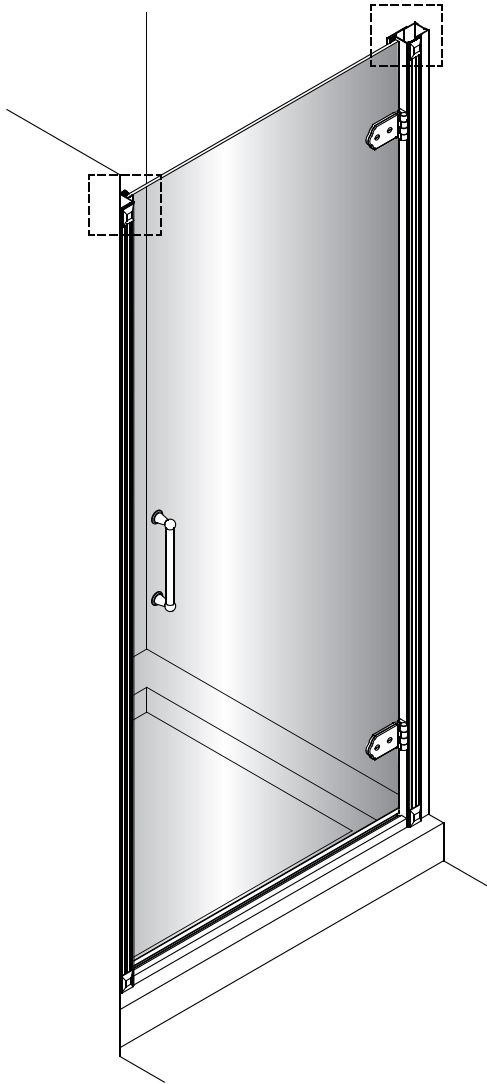


! A=B=27mm

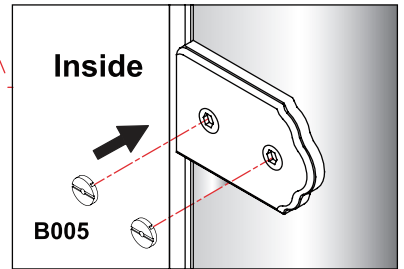
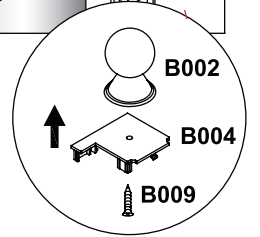
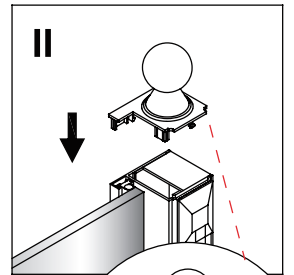
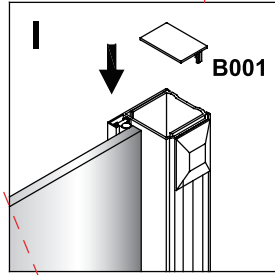
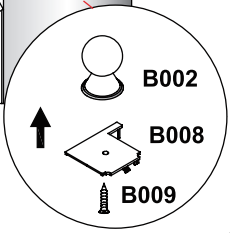
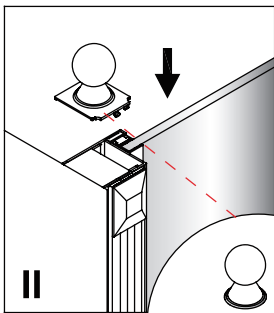
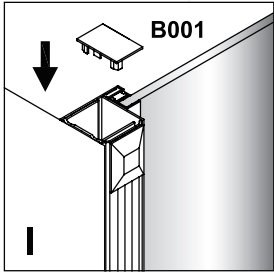




This step is optional ,the installer may follow this step if necessary.



8



9

