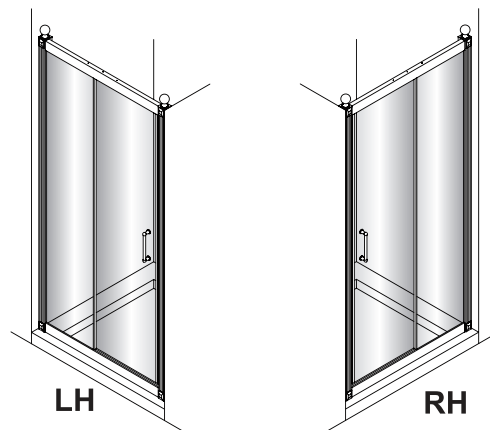


Slider 1400 - C8S

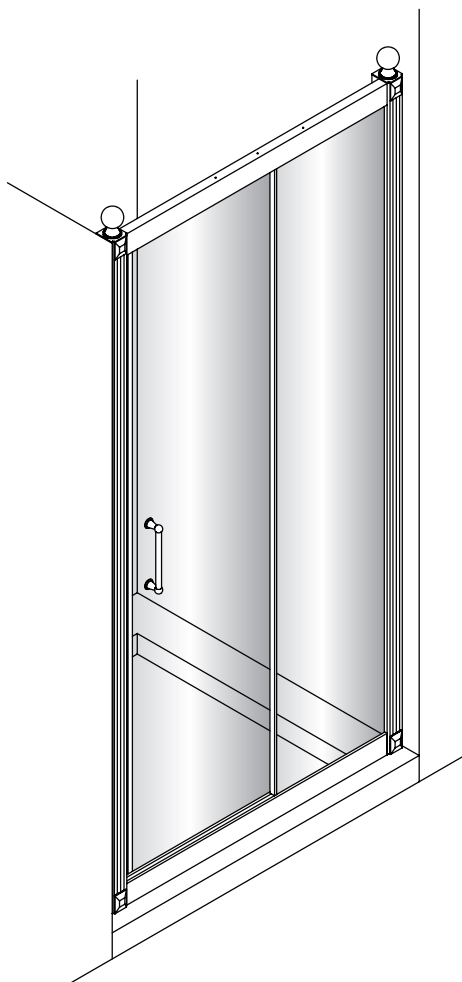


Before Installation:

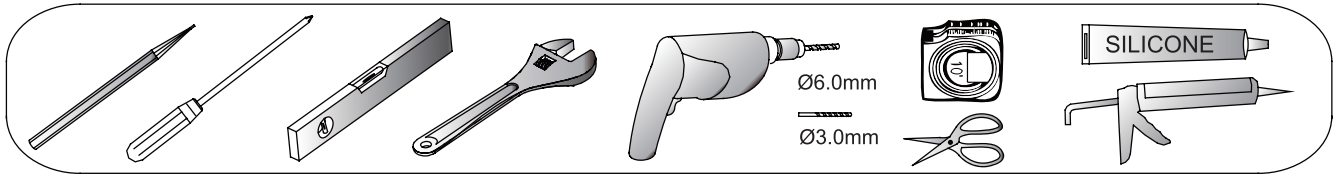
- Check the contents of the pack carefully before installation.
- The tray **MUST** be installed level and fully sealed to the tiles.
- Handle with care. Impacts can damage both the glass and the frame.
- Check for any hidden pipes or cables before drilling holes in the wall.
- The enclosure is reversible: " door can be either left or right opening. "
In the remainder of this manual the illustrations will only show the right hand installation of the slider door.
The parts marked "LH" or "RH" would be only suitable for the relative shower enclosure.
- The wall fixings supplied may not be suitable for your installation. You may need to source alternatives depending on the construction of the wall you are fixing to.
- Follow each step in turn.

Care and Cleaning:

- Do not use solvents or abrasive material or chemicals to clean the enclosure.
- Only clean using soapy water and a soft cloth, rinse thoroughly afterwards.

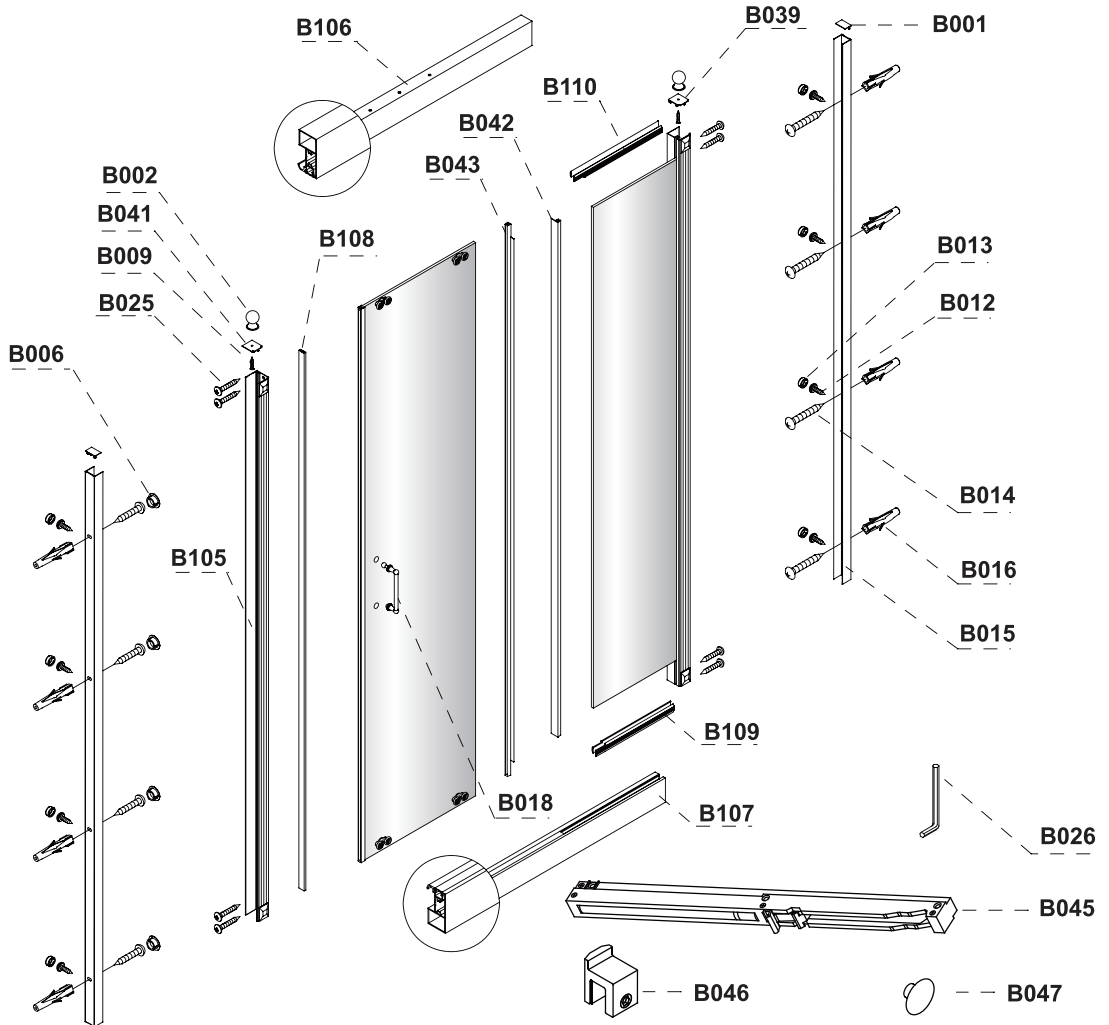


Tools required:



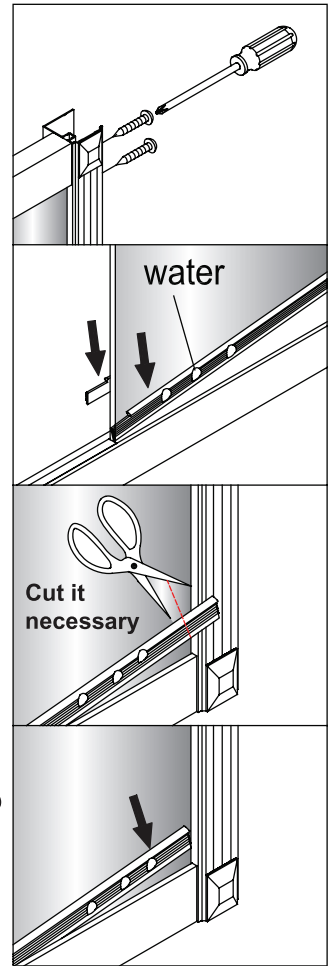
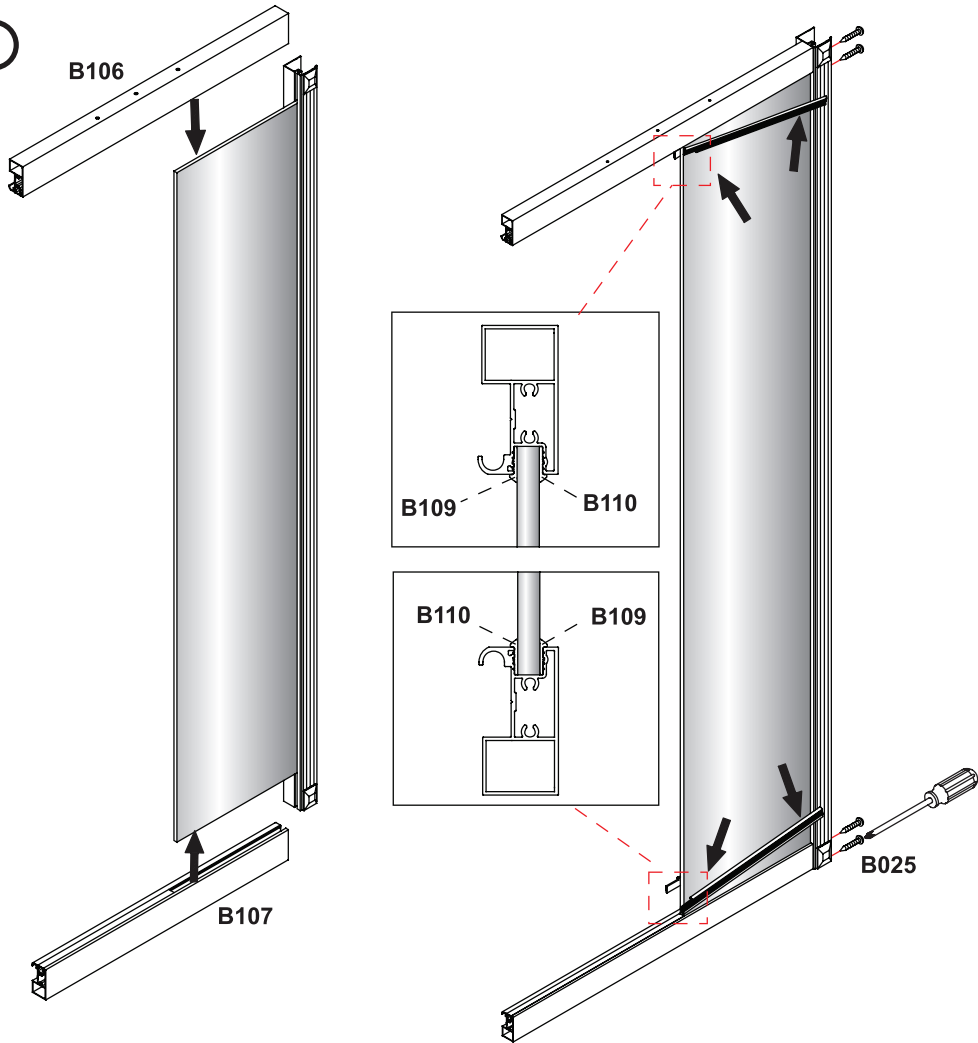
Parts supplied:

Slider Door

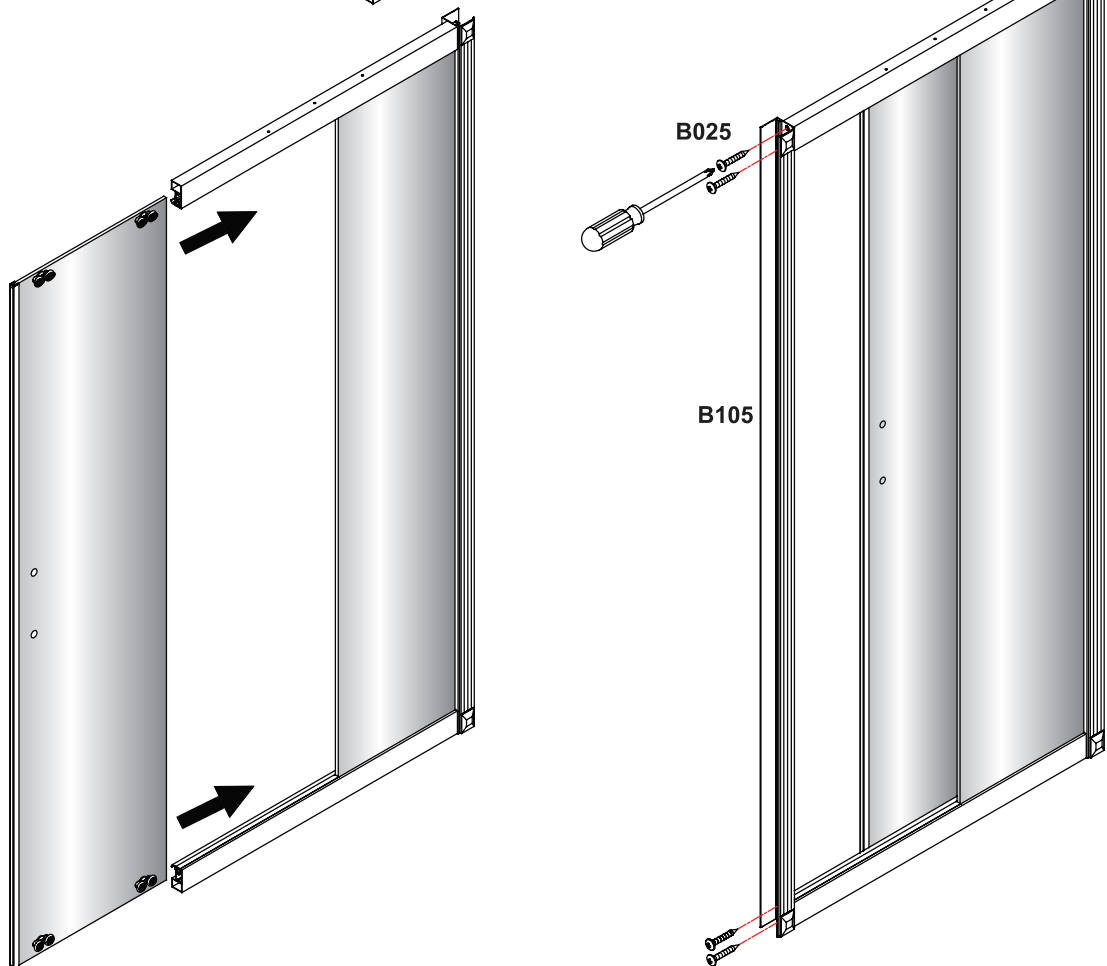


B001 2x	B012 8x ST3.5x10mm	B013 8x	B002 2x	B038 1x LH	B039 1x RH
B009 2x ST3.5x16mm	B040 1x LH	B041 1x RH	B042 1x	B043 1x	B006 4x
B018 1x	B014 8x ST4x50mm	B016 8x	B015 2x	B026 1x 4mm	
B045 1x	B046 1x	B047 1x	B025 8x ST4x30mm	B105 1x	
B106 1x	B107 1x	B108 1x	B109 2x	B110 2x	

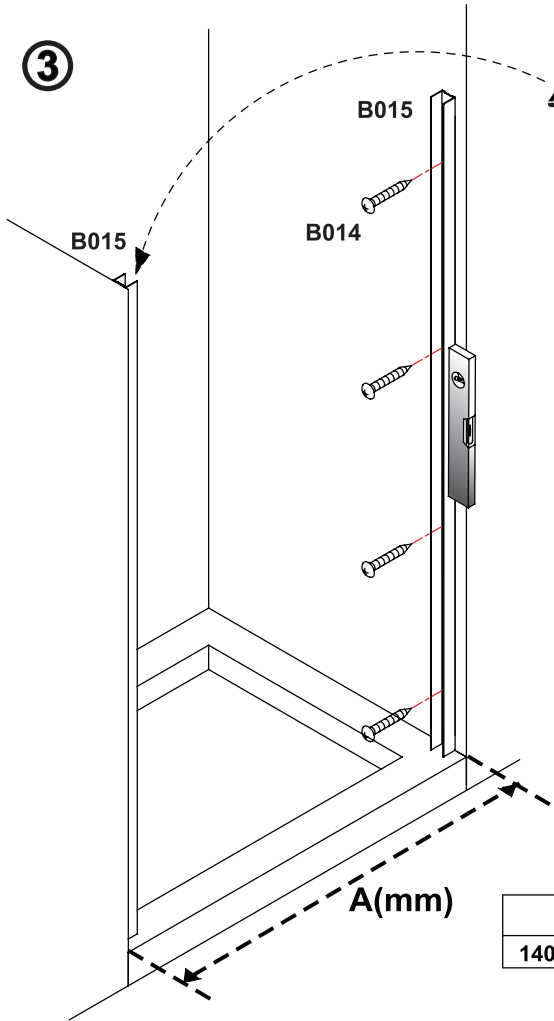
①



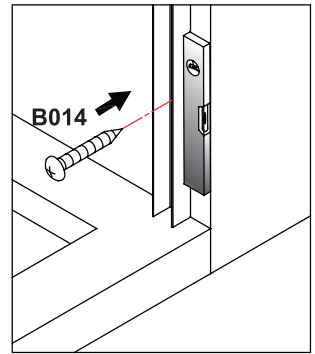
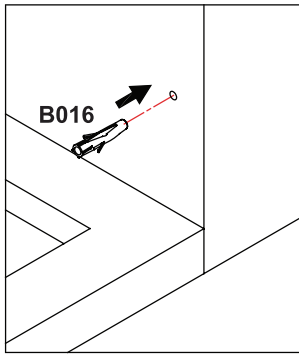
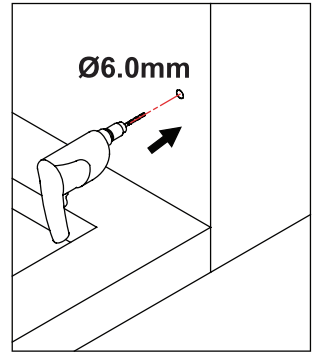
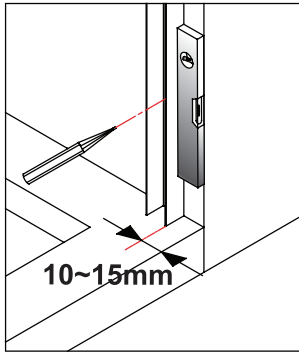
②



③

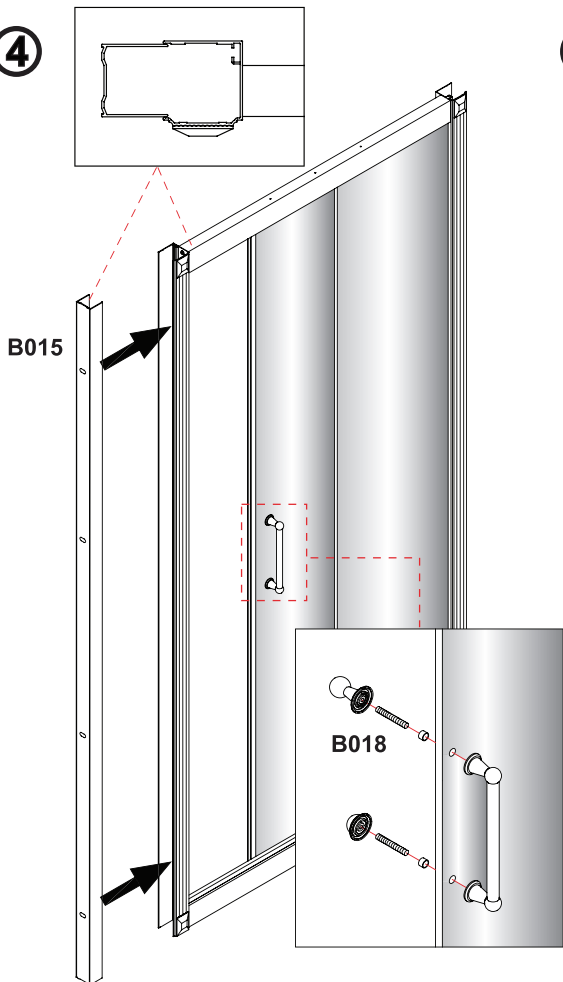


At this step the wall profile on the handle side should not be fixed to the wall, and should be done at step 6.

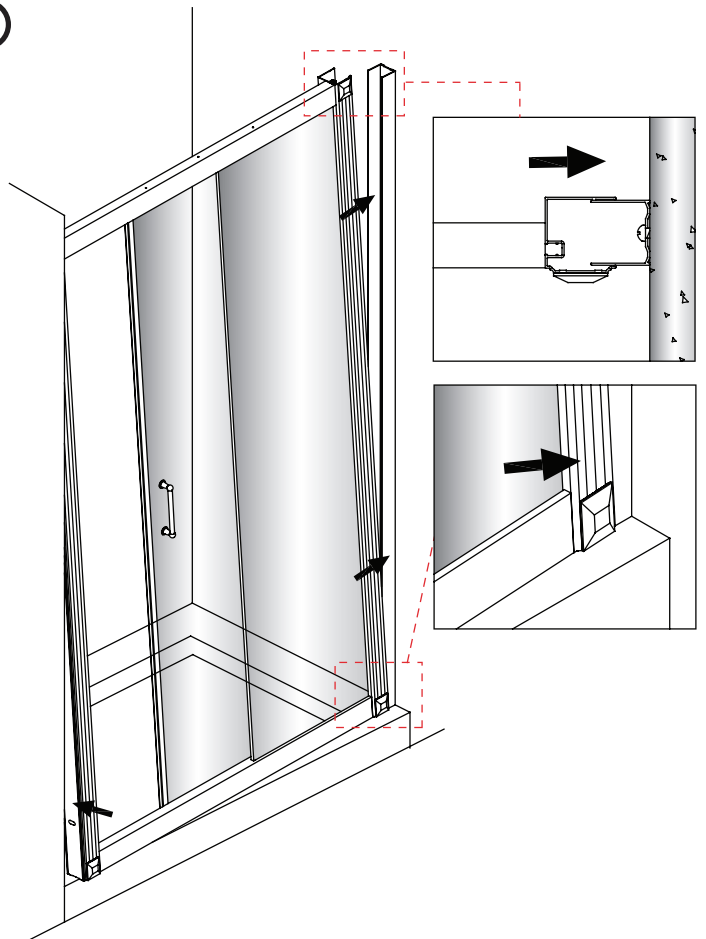


Item	A (mm)
1400 Slider door	1360 ~ 1400

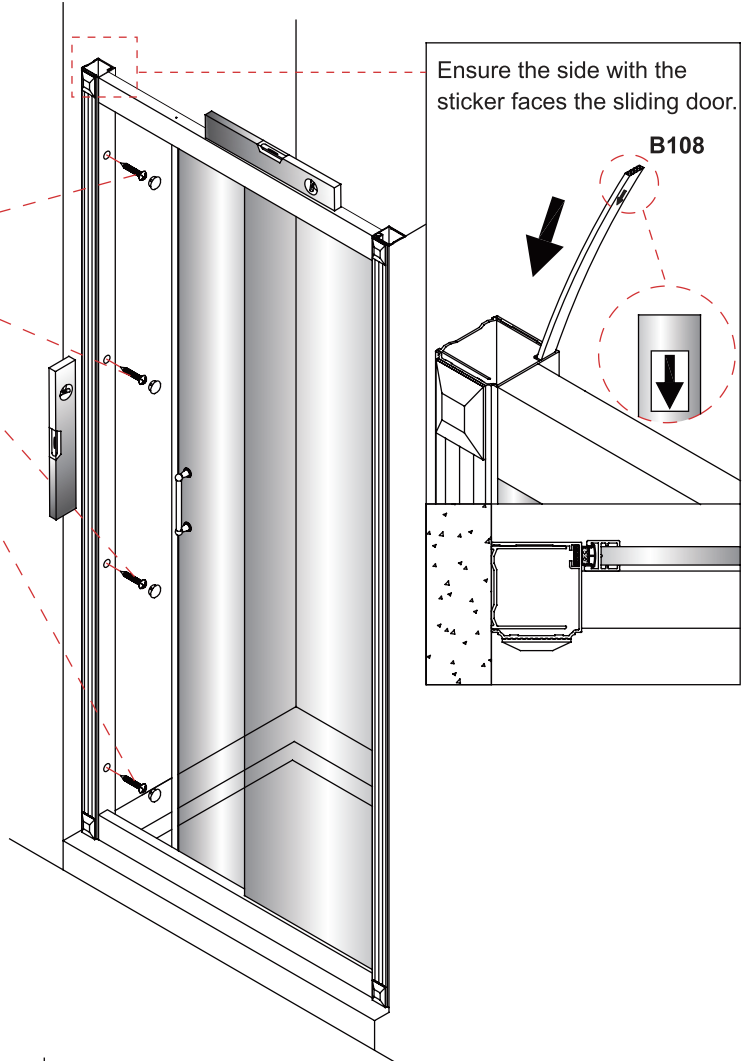
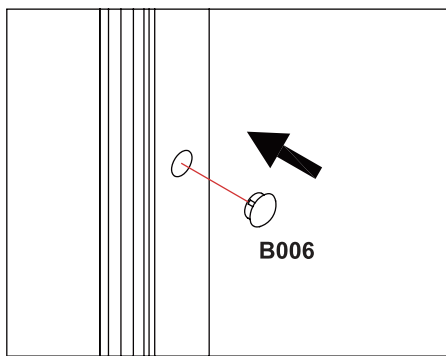
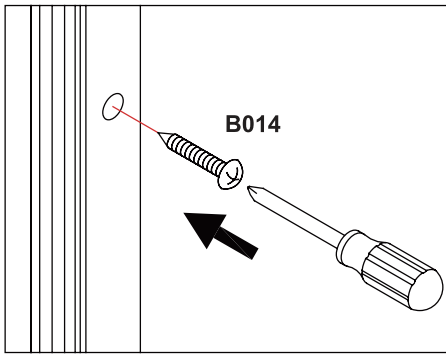
④



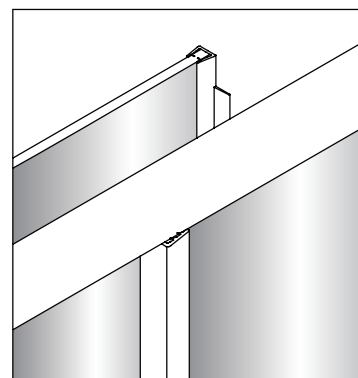
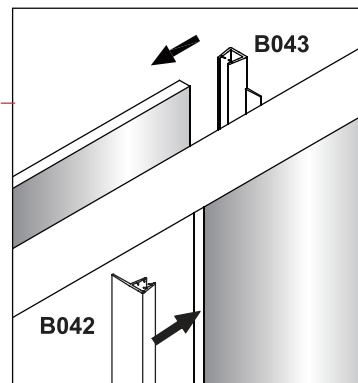
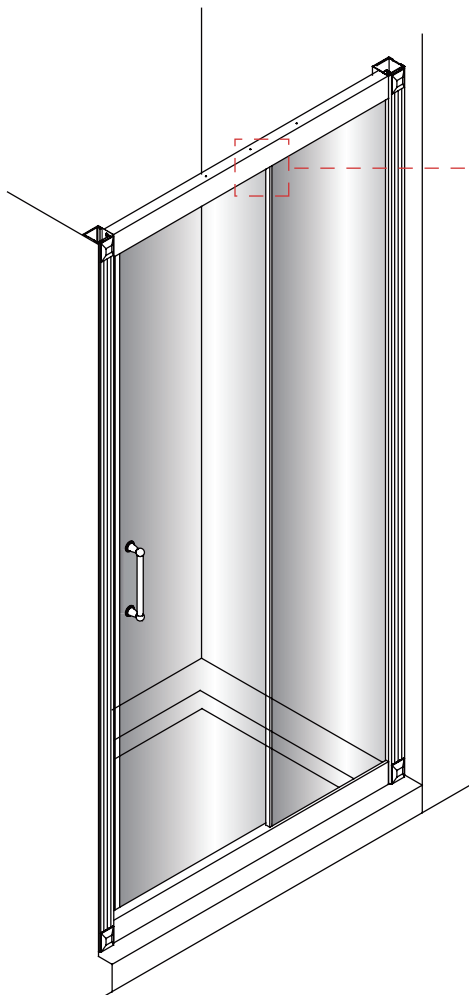
⑤



⑥

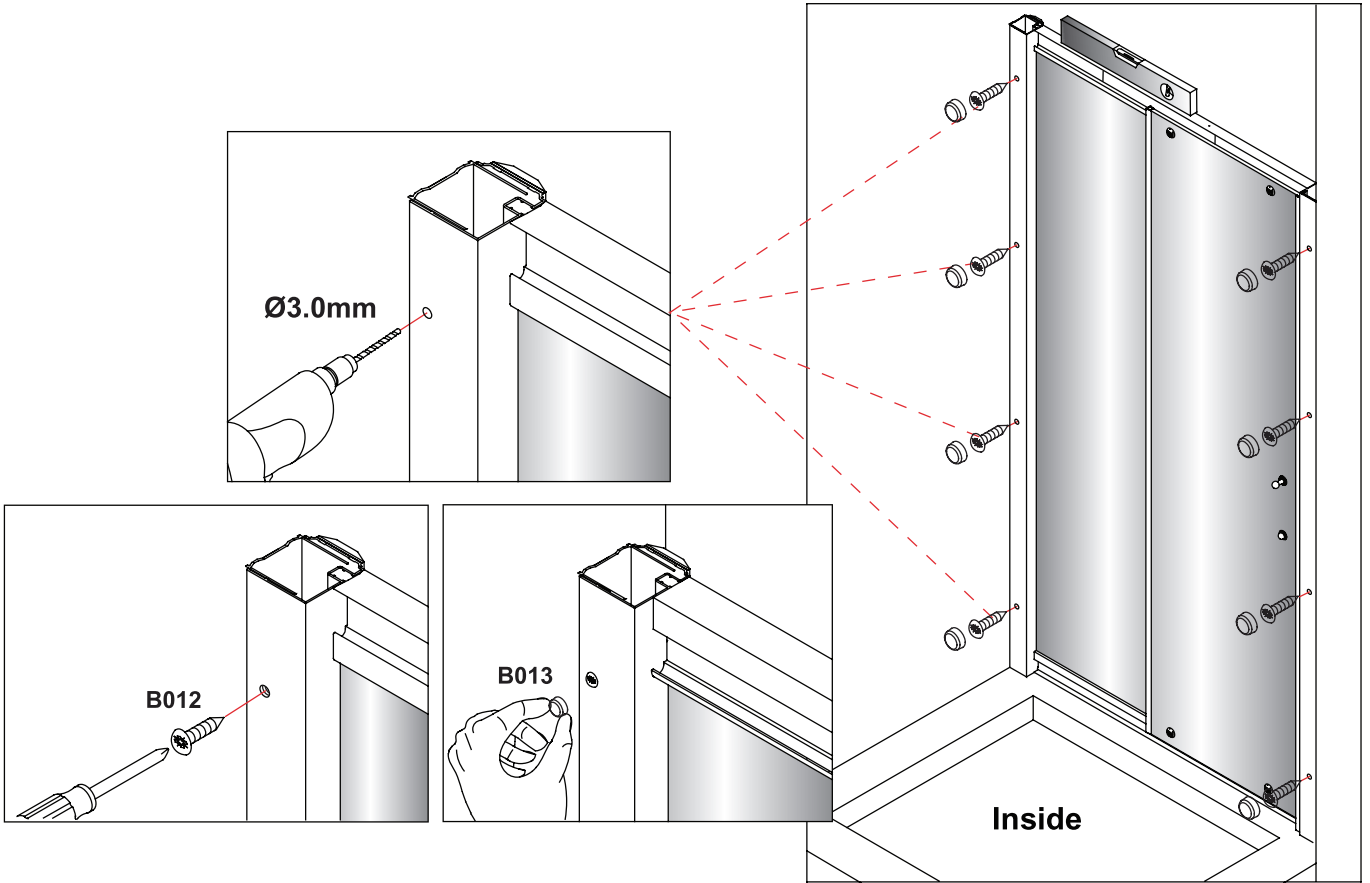


⑦

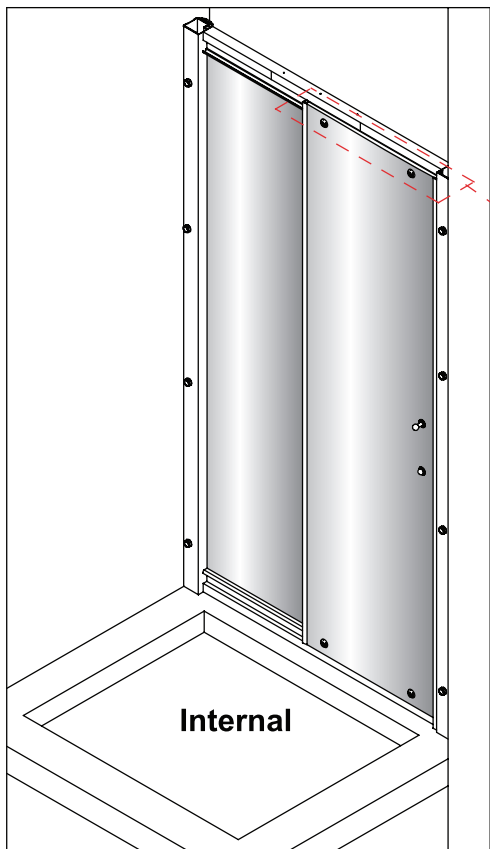


8

Once you have checked that the door opens and closes correctly fix the door to the wall channels.

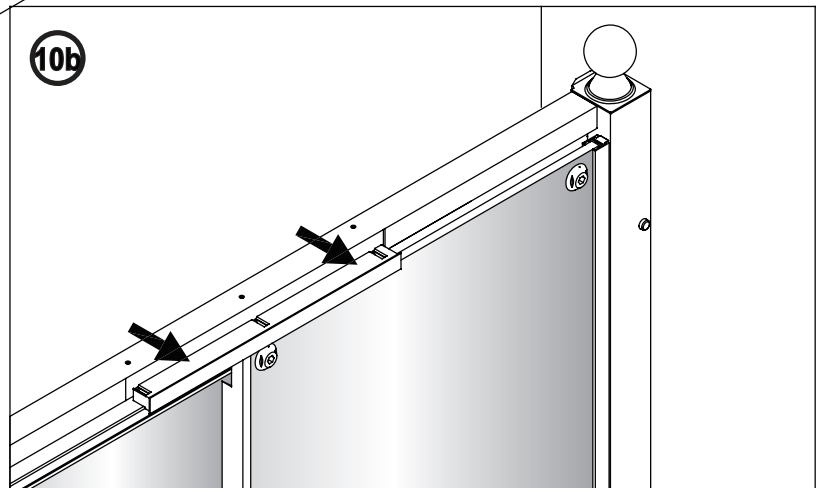
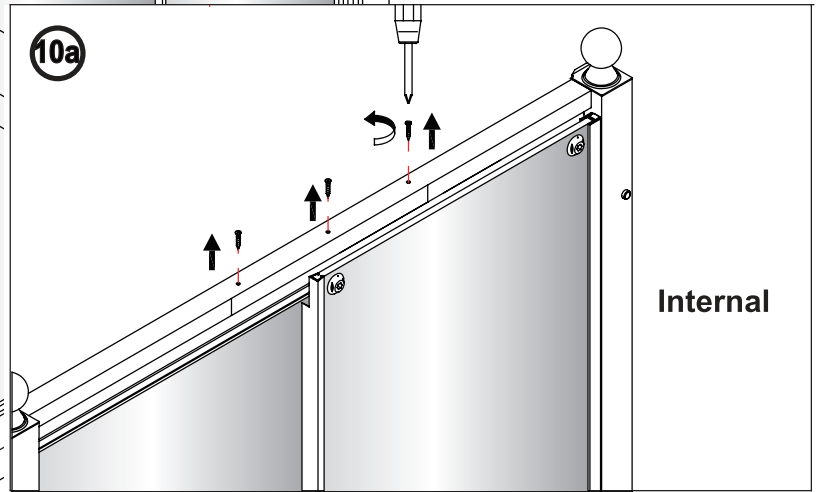
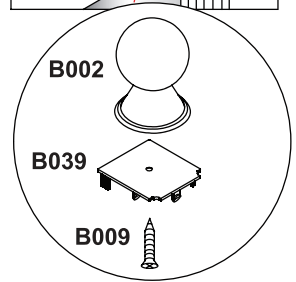
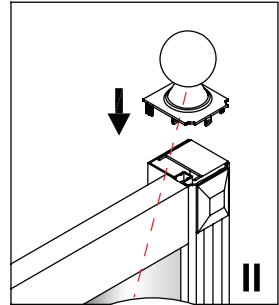
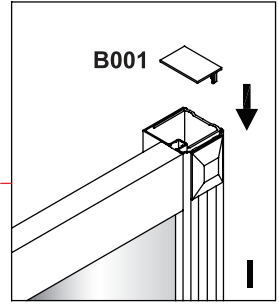
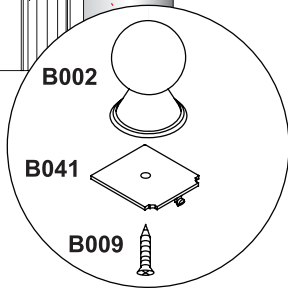
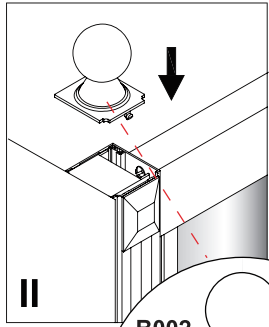
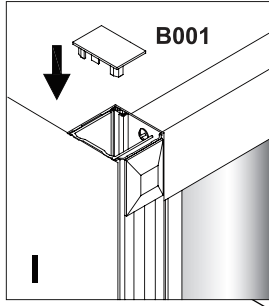


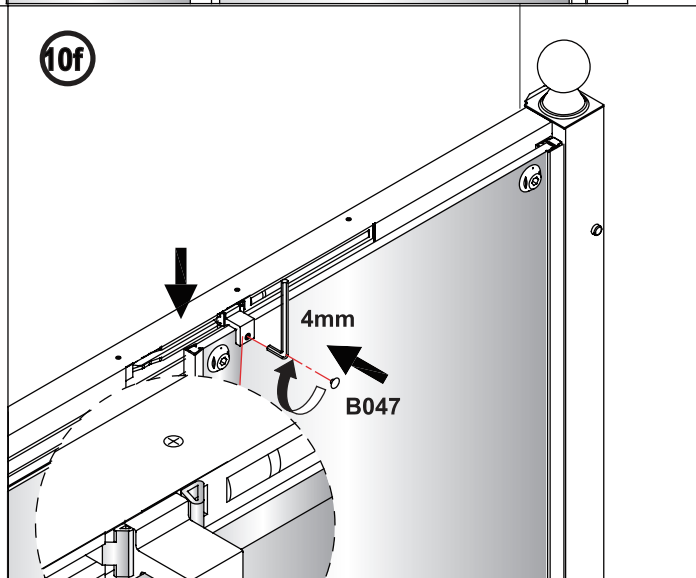
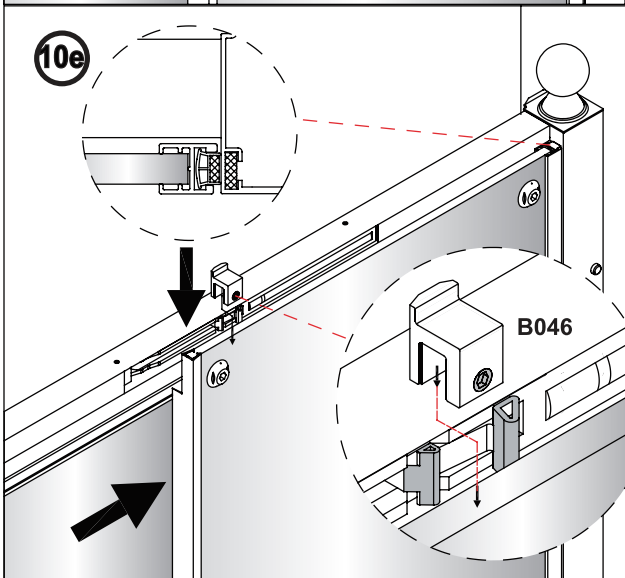
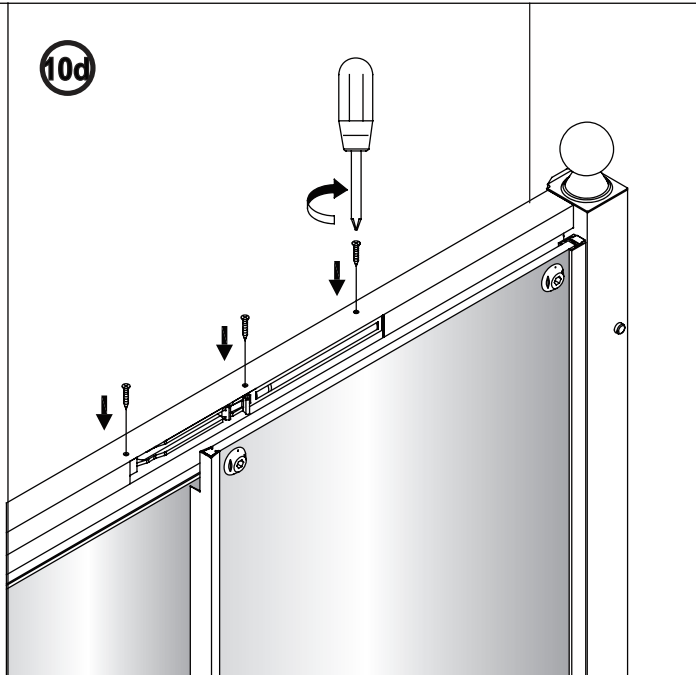
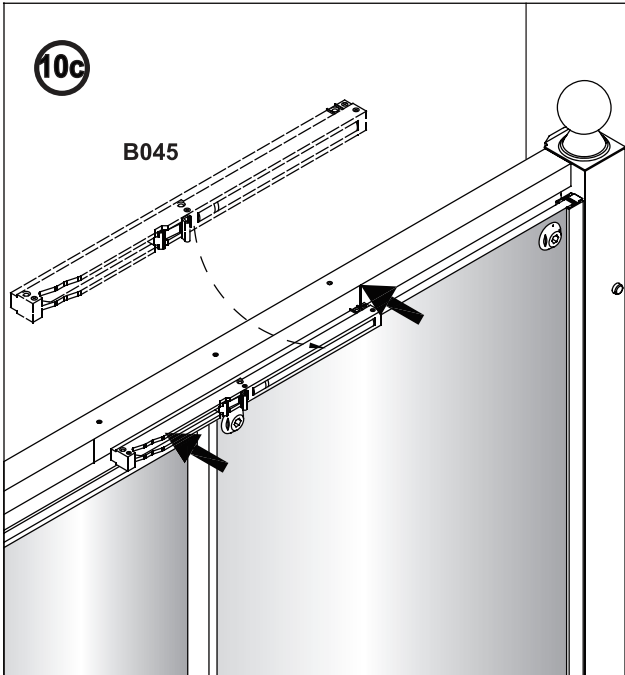
Only if adjustment is required.



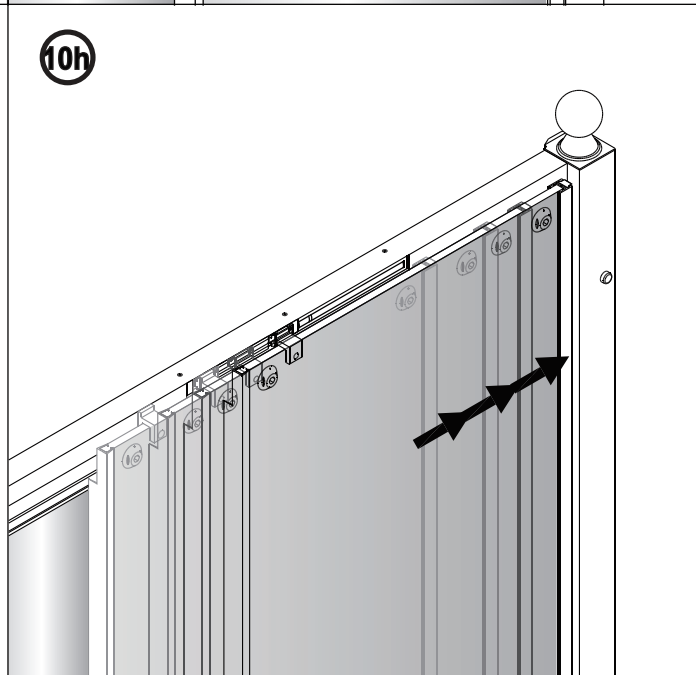
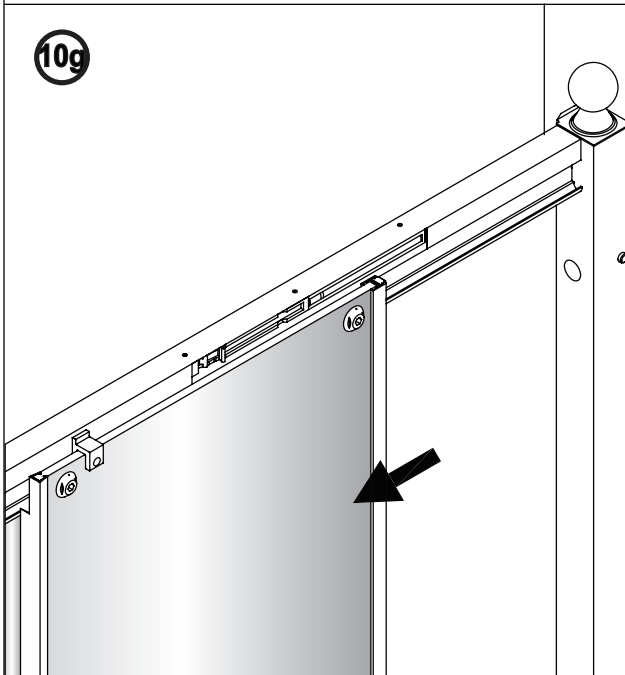
Problem	Resolution

9





Make sure the door is closed well and there are no gaps. As indicated in the diagram between the clasps of the mechanism place the catch over the glass, and tighten to glass.



11

