

Product No. **6057-209-14**  
 S No. **4112842**  
 EAN No. **7312906057143**



## Light On Downlight Sauna

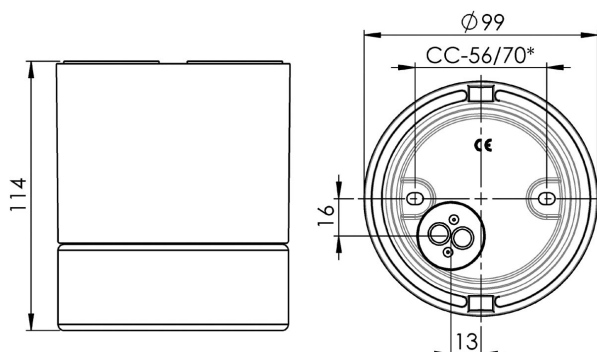
A ceramic light fitting in quality ceramic. Light On Downlight is designed by the famous designer Knud Holscher and intended for use in the ceiling of a sauna.

### Specification

Base material	Porcelain
Lampholder	GU10
Light source	35W (not incl.)
Voltage	230V
Installation	Ceiling
Base colour	Brown NCS S 8010-Y50R
Safety class	II
Protection class	IP44
Energy class	C-E
$T_a$	
Height	114 mm
Diameter $\varnothing$	99 mm
Glass	Protection glass, clear
Thread	74 mm
Weight	1,4 kg
Design	Knud Holscher

### Installation

Insert the mains supply cable through the bottom inlet. Push the silicone sleeves included over the leads. Fix the light fitting to a ceiling with suitable screws. Connect the leads to the mantle screws. Fasten the lamp holder and Insert a light source. Finally, fasten the porcelain upper part by turning it clockwise.



### Technical information

Silicone gasket between glass and base. Four  $\varnothing$  5mm holes for installation. CC measurement 56 mm, alternatively; mounting plate for ceiling installation box with CC measurement 70 mm. One bottom inlet for two mains supply cable. Two mantle screws for connection of max 2 x 2,5 mm<sup>2</sup>. Bridging is possible. Bottom inlet, two knock out openings. The luminaire is designed to be installed in ambient temperatures of up to 125 °C. Also approved for steam rooms.

### Maintenance

Switch off the power to the fixture. Remove the top and clean it. Do not use cleaning agents containing solvents. Change the light source if necessary. Check the gasket and change it if necessary. Replace the top.

### Spare parts

Porcelain ring: Part no 53054-1422  
 Gasket: Part no 3737-1

*If the luminaire is modified the person responsible for the modification shall be considered manufacturer. Subject to errors in text. We reserve the right to change the technical specifications (without notice).*