

Product No. **8048-509-14**  
 S No. **4112838**  
 EAN No. **7312908048149**



## Classic Sauna

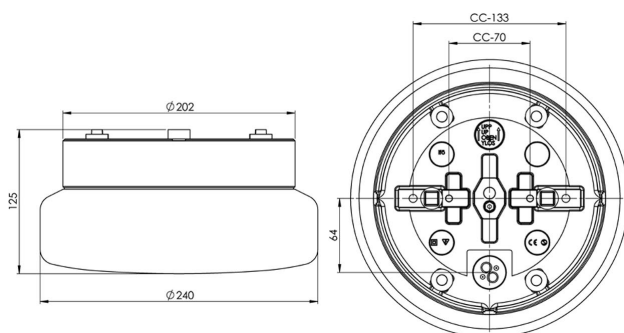
Classic is an old favourite in the assortment, with a ceramic base and shiny matt shade. Suitable for both ceiling and wall in saunas.

### Specification

Base material	Porcelain
Lampholder	E27
Light source	40W ceiling/60W wall (not incl.)
Voltage	230V
Installation	Ceiling/wall
Base colour	Brown NCS S 8010-Y50R
Safety class	II
Protection class	IP44
Energy class	C-E
$T_a$	
Height	125 mm
Diameter $\varnothing$	240 mm
Glass	Shiny opal
Thread	185,5 mm
Weight	2,3 kg
Design	Duoform

### Installation

Insert the mains supply cable through the bottom inlet. Push the silicone sleeves included over the leads. Fix the light fitting to a wall or ceiling with suitable screws, make sure the arrow and text UP on the bottom of the base points upwards for wall installation. Connect the leads to the terminals on the lamp holder. Insert a light source and then fasten the shade by turning it clockwise. Make sure the gasket between the glass and base is in place.



### Technical information

Silicone gasket between glass and base. Four  $\varnothing$  5mm holes for installation. CC measurements 133 mm or 70 mm. One bottom inlet for two mains supply cable. Terminal connection of max 2 x 1,5 mm<sup>2</sup>. Bridging is possible. Bottom inlet, three knock out openings. The luminaire is designed to be installed in ambient temperatures of up to 125 °C. Also approved for steam rooms.

### Maintenance

Switch off the power to the fixture. Remove the shade and clean it. Do not use cleaning agents containing solvents. Change the light source if necessary. Check the gasket and change it if necessary. Replace the shade.

### Spare parts

Shade: Part no 1-6115  
 Gasket: Part no 3431

*If the luminaire is modified the person responsible for the modification shall be considered manufacturer. Subject to errors in text. We reserve the right to change the technical specifications (without notice).*