

Product No. **4095-800-16**
 S No.
 EAN No. **7312904095260**



Classic Globe LED

The Classic series is an old favourite of our assortment. Ideal in most areas where functionality and timeless design are the key words. Classic is available in different combinations and are also available with a grey or a brown glazed base as option.

Specification

Base material	Porcelain
Light source free **	LED module, 12W, flicker
Luminaire lm	1136
Lm Light source	1300lm
Color temp.	3000K
MacAdam	3 SDCM
Lifetime	50 000 h
Ra (CRI)	Min 90
Dimmable	Yes
Voltage	230V
Installation	Ceiling/wall
Base colour	Black NCS S 9000-N
Safety class	I
Protection class	IP44
Energy class	A+
T _a	-30 - +25
Height	305
Diameter	300
Glass	Matt opal
Thread	185,5 mm
Weight	3,04 kg
Design	Håkan Svennesson SD

Installation

Insert the main supply cable through the bottom inlet. Fix the light fitting to a wall or ceiling with suitable screws, make sure that the arrow and text UP on the bottom of the base points upwards for wall installation. Pull the cables through the opening next to the terminal block on the LED module and then attach the LED module with the two screws provided. Connect the wires to the terminal block. Fasten the shade by turning it clockwise. Make sure that gasket between the glass and base is in place.

Technical information

Two Ø 6 mm holes for installation, CC measurement 133 mm, alternatively two hidden holes Ø 5 mm, CC measurement 70 mm. One bottom inlet for two mains supply cable. Connect to terminal of max 2 x 2,5 mm². Bridging is possible. Bottom inlet and three knock out openings.

Dimmer

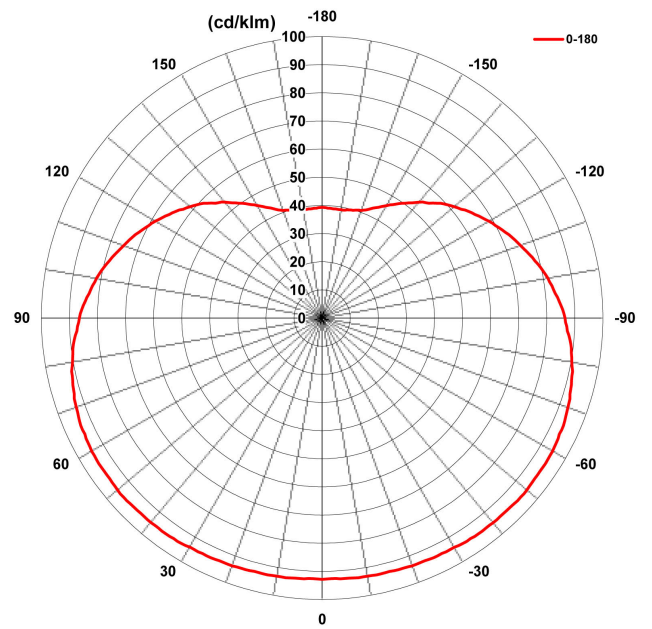
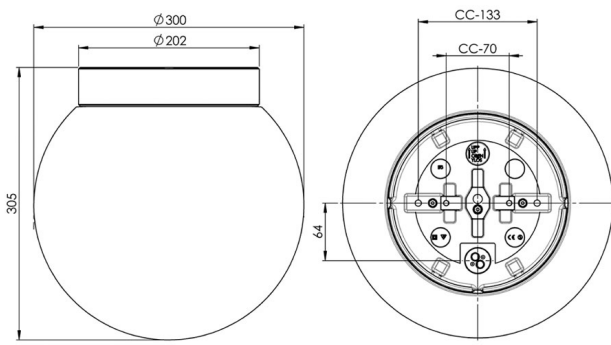
Schneider CCT99100 RC mode 1-8pc
 Schneider SBD200 1-8pc
 Vadsbo VD200 1-9pc
 Vadsbo LD220 1-9pc
 Vadsbo LD220WCM 1-9pc
 DALI PCD 1-300 one4all. load 1-300VA.

Maintenance

Switch off the power to the fixture. Remove the shade and clean it. Do not use cleaning agents containing solvents. Change the LED module if necessary. Check the gasket and change it if necessary. Replace the shade.

Spare parts

Shade: 1-6140-1
 Gasket: 3431
 LED module: Art nr: 1-54052-930



*** The device must under no circumstances be connected to the same phase as a magnetic ballast or other older fluorescent luminaires as these luminaires can generate overvoltage transients outside of EU regulatory standards when switched off or on. The luminaire can permanently damage or completely cease to function when connected.*

If the luminaire is modified the person responsible for the modification shall be considered manufacturer. Subject to errors in text. We reserve the right to change the technical specifications (without notice).

