

Product No. **52805-16**  
 S No.  
 EAN No. **7312905280566**



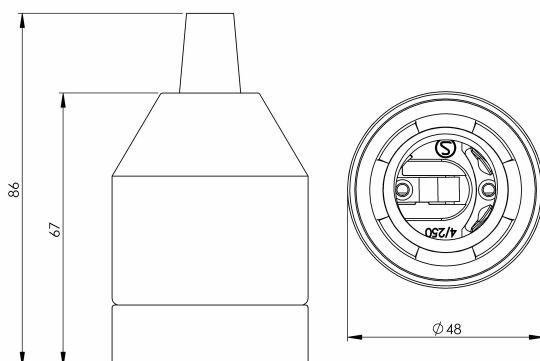
# Klack pendant, without cord. 4 pack.

## Specification

Base material	Porcelain
Lampholder	E27
Light source	Max 60W (not incl.)
Voltage	230V
Installation	Ceiling
Base colour	Black NCS S 9000-N
Safety class	II
Protection class	IP20
Energy class	-
T <sub>a</sub>	-30 - +25
Height	68 mm
Diameter Ø	50 mm
Glass	-
Thread	-
Weight	0,2 kg
Design	Ifö Electric

## Installation

Klack in fourpack are supplied without cable and need before installation to be provided with cable with lamp plug or a terminal if it is connected directly to the box. In the latter case it also needs a ceiling rose to conceal the installation. Production of fittings shall be made according to current lighting standards.



## Technical information

The lamp holder is tested and adapted for use in luminaires with protection class II. The lamp holder is supplied with wire bracket and cord grip to facilitate manufacture of pendant.

## Maintenance

Disconnect the power to the fixture. Wipe with a barely damp cloth if necessary.

## Spare parts

-

*Subject to errors in text. We reserve the right to change the technical specifications (without notice).*

