

Product No. **6040-840-16**  
 S No.  
 EAN No. **7312906040817**



## Classic Glob 150 LED

The Classic series is an old favourite of our assortment. Ideal in most areas where functionality and timeless design are the key words. Classic is available in different combinations with a matt opal, shiny opal or a clear glass shade.

### Specification

Base material	Porcelain
Light source	LED module, max 6W **
Luminaire lm	
LED module lm	600lm
Color temp.	3000K
MacAdam	3
Lifetime	50 000 h
Ra (CRI)	Min 80
Dimmable	Yes
Voltage	230V
Installation	Ceiling/wall
Base colour	Black NCS S 9000-N
Safety class	I
Protection class	IP54
Energy class	A+
T <sub>a</sub>	
Height	193
Diameter	150
Glass	Shiny opal
Thread	84,5 mm
Weight	0,98 kg
Design	Ifö Electric

### Installation

Insert the mains supply cable through the bottom inlet. Fix the light fitting to wall or ceiling with suitable screws. Connect the leads to the terminals and fasten the LED module. Fasten the shade by turning it clockwise. Make sure the gasket between the glass and base is in place.

### Technical information

Silicone gasket between glass and base. Two Ø 5mm holes for installation. CC measurement 60-66 mm. Bottom inlet suitable for two leads. Terminal block for connection of max 3 x 2,5 mm<sup>2</sup>. Bridging is possible. Bottom inlet, two knock out openings.

### Dimmer

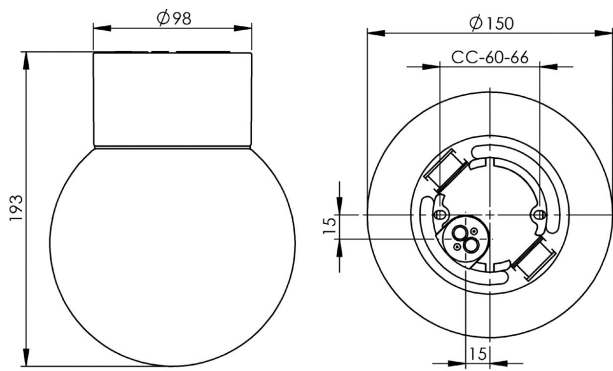
Vadsbo LD220, 1-10 pc  
 Vadsbo LD220WCM, 1-10 pc  
 Vadsbo VD200, 1-10 pc  
 Schneider CCT99100, 1-10 pc

### Maintenance

Switch off the power to the fixture. Remove the shade and clean it. Do not use cleaning agents containing solvents. Change the LED module if necessary. Check the gasket and change it if necessary. Replace the shade.

### Spare parts

Shade: 1-6108  
 Gasket: 02786-1



*\*\* The device must under no circumstances be connected to the same phase as a magnetic ballast or other older fluorescent luminaires as these luminaires can generate overvoltage transients outside of EU regulatory standards when switched off or on. The luminaire can permanently damage or completely cease to function when connected.*

*If the luminaire is modified the person responsible for the modification shall be considered manufacturer. Subject to errors in text. We reserve the right to change the technical specifications (without notice).*

