

Product No. **6043-510-16**  
 S No.  
 EAN No. **7312906043160**



## Classic Stallglas

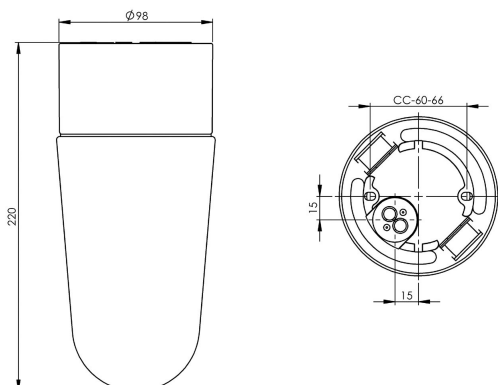
The Classic series is an old favourite of our assortment. Ideal in most areas where functionality and timeless design are the key words. Classic is available in different combinations with a matt opal, shiny opal or a clear glass shade.

### Specification

Base material	Porcelain
Lampholder	E27
Light source	E27, max 75W (not incl.)
Voltage	230V
Installation	Ceiling/wall
Base colour	Black NCS S 9000-N
Safety class	II
Protection class	IP54
Energy class	A++ - E
T <sub>a</sub>	
Height	220 mm
Diameter Ø	98 mm
Glass	Clear glass
Thread	84,5 mm
Weight	0,94 kg
Design	Ifö Electric

### Installation

Insert the mains supply cable through the bottom inlet. Fix the light fitting to the wall or to the ceiling with suitable screws. Connect the leads to the mantle screws. Fasten the lamp holder. Insert a light source and then fasten the shade by turning clockwise. Make sure the gasket between the glass and base is in place.



### Technical information

Silicone gasket between glass and base. Two Ø 5mm hole for installation. Two holes CC measurement 60 -66 mm. One bottom inlet for two mains supply cable. Four mantle screws for connection of max 2 x 2,5 mm<sup>2</sup>. Bridging is possible. Bottom inlet, two knock out openings (must be completed with gland: art no. 52770). Our shades are all unique, minor variations may occur.

### Maintenance

Switch off the power to the fixture. Remove the shade and clean it. Do not use cleaning agents containing solvents. Change the light source if necessary. Check the gasket and change it if necessary. Replace the shade.

### Spare parts

Shade: Part no 1-6135-2  
 Gasket: Part no 02786-1

*If the luminaire is modified the person responsible for the modification shall be considered manufacturer. Subject to errors in text. We reserve the right to change the technical specifications (without notice).*